

Specification Status: Released

Maximum Electrical Rating

Operating Voltage: 12Vdc
Interrupt Current: 100A

Chip Size: 3.6 X 10mm

Leads: Nickel 1/4H
0.125mm nominal thickness

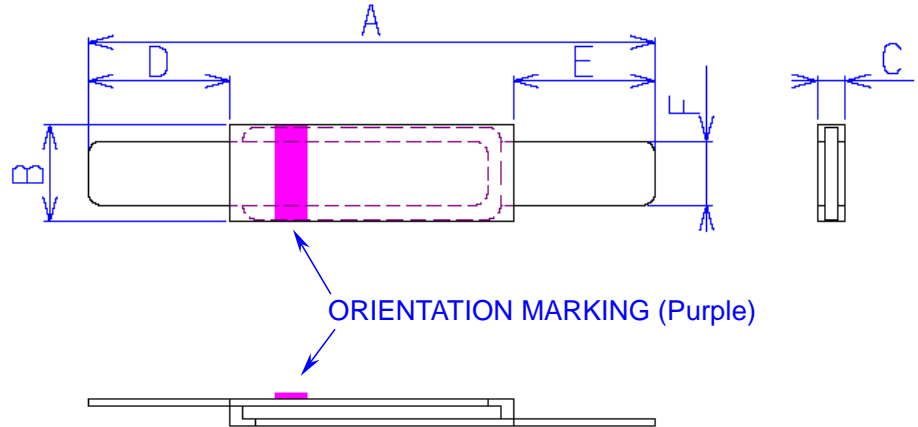
Tape: Polyester (White)
11.0 mm nominal width

Solder: Lead-free

Lot Marking Ink Color: Green

Marking:

- Manufacturer's Mark
- XX R17 — Part Identification
- Lot Identification



ORIENTATION MARKING (Purple)

TABLE I. DIMENSIONS:

	A		B		C		D		E		F	
	MIN	MAX	MIN	MAX	MIN	MAX	MIN	MAX	MIN	MAX	MIN	MAX
mm:	20.8	23.2	3.5	3.9	---	0.8	4.5	6.5	4.5	6.5	2.4	2.6
in*:	(0.82)	(0.91)	(0.14)	(0.15)	--	(0.03)	(0.18)	(0.26)	(0.18)	(0.26)	(0.09)	(0.10)

*Rounded off approximation

TABLE II. PERFORMANCE RATINGS: As measured in Mueller Kelvin Clips model BU-75K.

I HOLD	CURRENT TRIP LIMITS								TIME TO TRIP		REFERENCE RESISTANCE		ONE-HOUR POST-TRIP RESISTANCE		TRIPPED-STATE POWER DISSIPATION	
	AMPS AT 0°C		AMPS AT 25°C		AMPS AT 60°C		AMPS AT --°C		SECONDS AT 25°C, 8.5A		OHMS AT 25°C		OHMS AT 25°C		WATTS AT 25°C, 12V MAX	
HOLD	HOLD	TRIP	HOLD	TRIP	HOLD	TRIP	HOLD	TRIP	MIN	MAX	MIN	MAX	MIN	MAX	MIN	MAX
1.7	2.4	5.6	1.7	4.1	0.7	1.9	---	---	---	5	0.018	0.032	0.018	0.064	---	1.4

Agency Recognitions:
Reference Documents:
Precedence:
Effectivity:
CAUTION:
Materials Information:

UL, TUV, CSA
PS300
This specification takes precedence over documents referenced herein.
Reference documents shall be the issue in effect on the date of invitation for bid.
Operation beyond the rated voltage or current may result in rupture, electrical arcing or flame.

ROHS Compliant

Directive 2002/95/EC
Compliant

ELV Compliant

Directive 2000/53/EC
Compliant

Pb-Free

