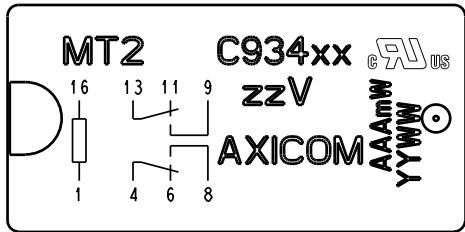
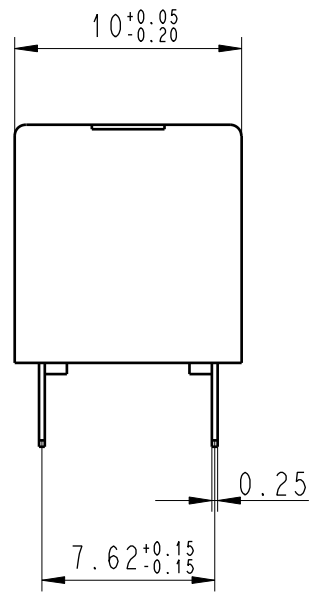
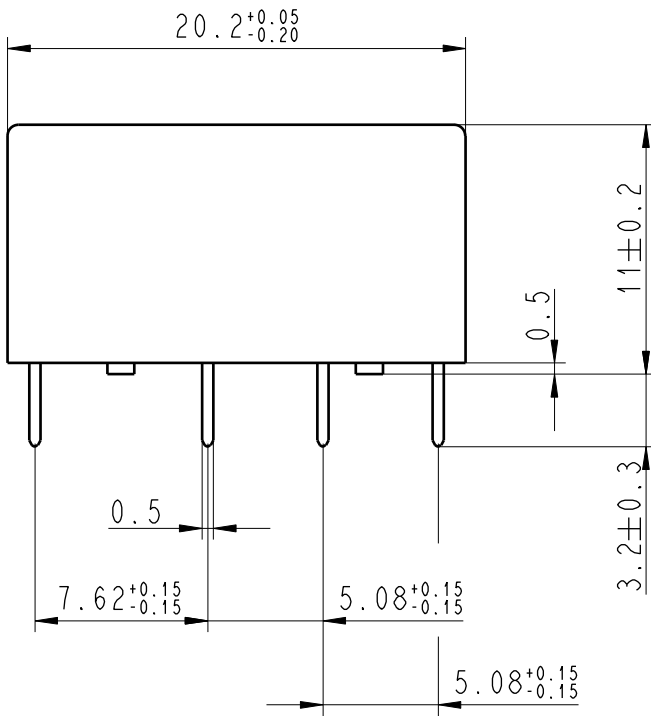
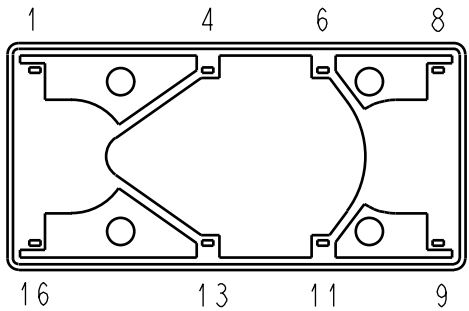


LOC	DIST	REVISIONS					
		P	LTR	DESCRIPTION	DATE	DWN	APVD
HJ	-		A4	Change C93400-599 to C-1462000-2	28Jun2004	MV	HD
			A5	change marking	28Jul2006	UKo	HD



xx = Relay type  
zz = nominal voltage  
AAA = power  
YYWW = Date code

DRAWING ALIAS C93400-599-Dok03

2006  
RELEASED FOR PUBLICATION

THIS DRAWING IS UNPUBLISHED.

© COPYRIGHT 2006 BY TYCO ELECTRONICS CORPORATION. ALL RIGHTS RESERVED.

DIMENSIONS: mm	DWN	28Jun2004	MATERIAL	FINISH			
	Vyskocil		-	-			
TOLERANCES UNLESS OTHERWISE SPECIFIED: DIN 7168-m	CHK	28Jun2004	tyco Electronics AXICOM AG CZ - 54101 Trutnov				
	HD 9121						
0 PLC ±- 1 PLC ± 2 PLC ± 3 PLC ± 4 PLC ± ANGLES ±-	APVD	28Jun2004	NAME MT2-Relay Dimensions				
	HD 9121						
	PRODUCT SPEC	-	SIZE	CAGE CODE	DRAWING NO	RESTRICTED TO	
	APPLICATION SPEC	-	A4	00779	C-1462000-2	-	
WEIGHT	-	CUSTOMER DRAWING		SCALE	3:1	SHEET 1 OF 1	REV A5