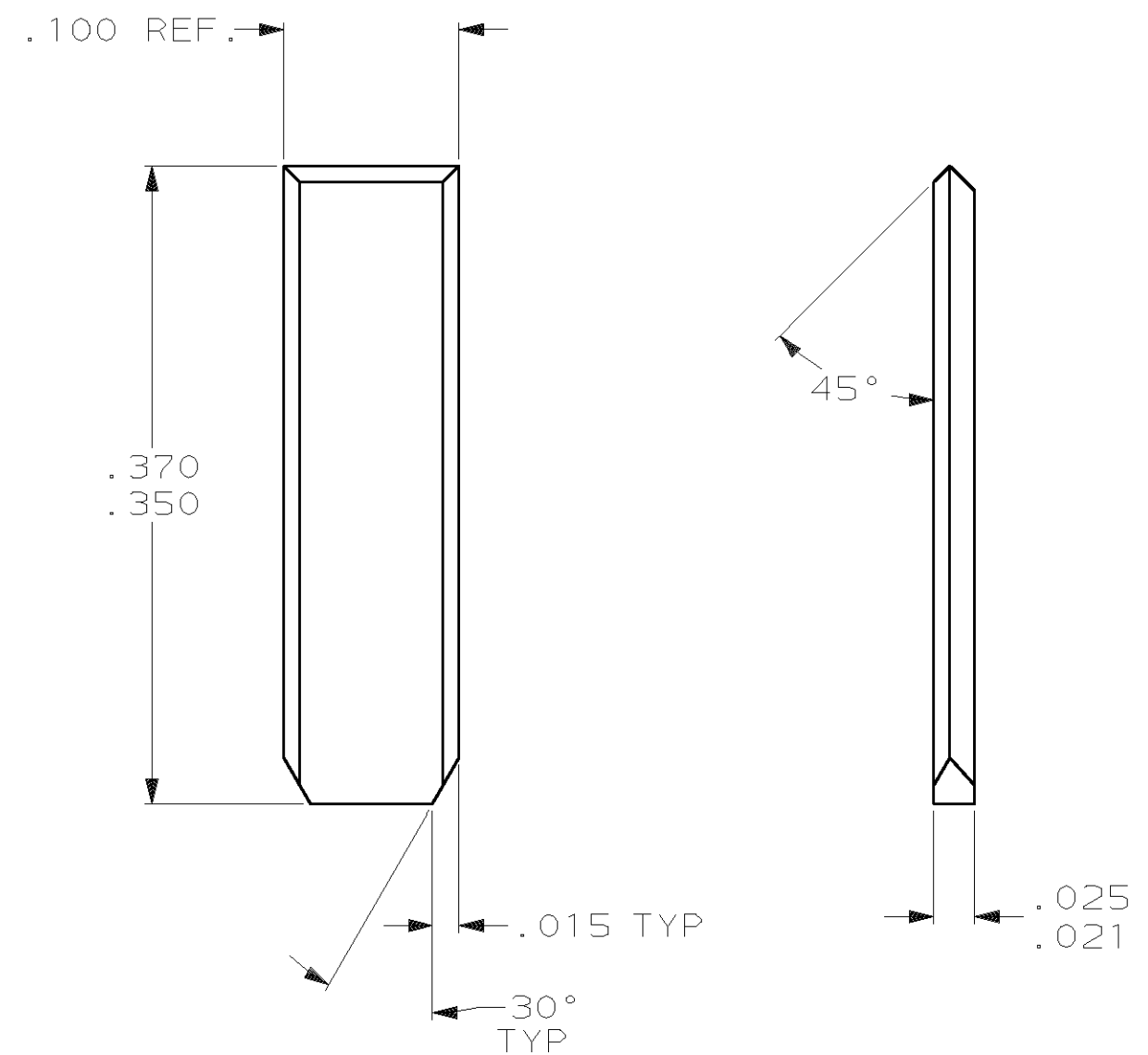


THIS DRAWING IS UNPUBLISHED. RELEASED FOR PUBLICATION, 19 .
 © COPYRIGHT 19 BY AMP INCORPORATED. ALL INTERNATIONAL RIGHTS RESERVED.

MOD	LOC	DIST	P	F	ZONE	LTR	DESCRIPTION	DATE	APPD
06	AR	39				D	REDRAWN	2/26/90	-
					E		REV PER 051A-0056-99	04/05/00	CR



1 FLAME RETARDANT
 THERMOPLASTIC, 94 V-0 RATED, NATURAL.

OBSOLETE

88113-1
 PART NUMBER
 PART NO

DO NOT SCALE PRINT. UNLESS SPECIFIED DIMENSIONS IN INCHES TOLERANCES ON: 2 PLC DEC ± - 3 PLC DEC ± .005 ANGLES ± 0°30'	DR 2/26/90 A. STAUB BG	AMP INCORPORATED Harrisburg, Pa. 17105		
	CHK -			NAME KEYING PLUG INTER-CONTACT FOR AMP-LATCH™ CARD EDGE CONNECTOR
	APPD -	SIZE B	FSCM NO 00779	DRAWING NO 88113
	APPD -	SCALE 10:1	SHEET 1 OF 1	
MATERIAL 1	PRODUCT SPEC -			
FINISH -	APPLICATION SPEC -			
	WEIGHT -			