

Figure 1

1. INTRODUCTION

This instruction sheet covers the installation and use of AMP Tooling Kit 768900-6, which is used in the CHAMPOMATOR⁺ 2.5 Bench Terminating Machine to apply discrete-wire cable to AMP .8mm CHAMP⁺ Connectors.

NOTE

All dimensions on this sheet are in millimeters [with inch equivalents provided in brackets]. Figures and illustrations are for identification only and are not drawn to scale.

NOTE

These instructions are supplied in the documentation package for Tooling Kit 768900-6. Make sure to retain all material in the documentation package for reference. For detailed information on the operation of the CHAMPOMATOR 2.5 Machine, refer to AMP Customer Manual 409-5839, which is supplied with the machine.

Reasons for reissue are provided in Section 8, REVISION SUMMARY.

2. DESCRIPTION (Figure 1)

The tooling kit consists of two inserter assemblies, a mandrel assembly, a set of connector nests, inserter setup gages (used for adjusting the insertion guide opening), a setup fixture, and an alignment fixture (used for adjusting the inserter assembly).

The inserter assemblies trim and insert the individual wires into the connector contacts. The mandrel assembly supports the connector during the termination process and helps guide the wires into the inserter assembly termination area.

The connector nest set locates the connector in the mandrel assembly.

3. INSTALLATION

DANGER

Disconnect the power to the control module and lockout the pneumatic valve BEFORE installing the tooling onto the base machine.

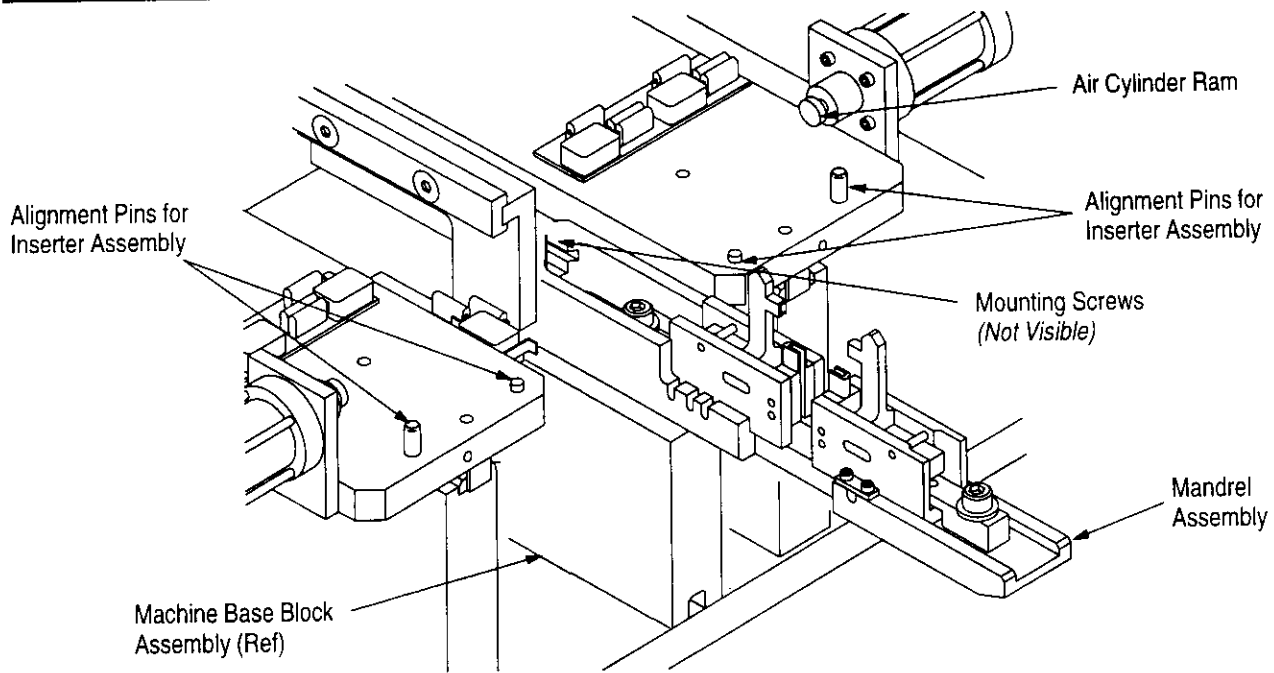


Figure 2

DANGER For clarity, the illustrations used in this sheet may show the machine without guarding. Be sure to have all guarding in place before operating the machine.

3.1. Mandrel Assembly (Figure 2)

1. Place the mandrel assembly onto the machine base block assembly.
2. Using a 5/32-in. hex wrench, secure the mandrel assembly onto the base block assembly

with the two socket head cap screws supplied with the machine.

3.2. Inserter Assemblies (Figures 2 and 3)

1. Align the inserter assembly T-slot over the air cylinder ram assembly.
2. Locate the base of the inserter assembly onto the two alignment pins on the machine's inserter assembly mounting area.
3. Using a 5/32-in. hex wrench, install the two inserter assembly mounting screws.

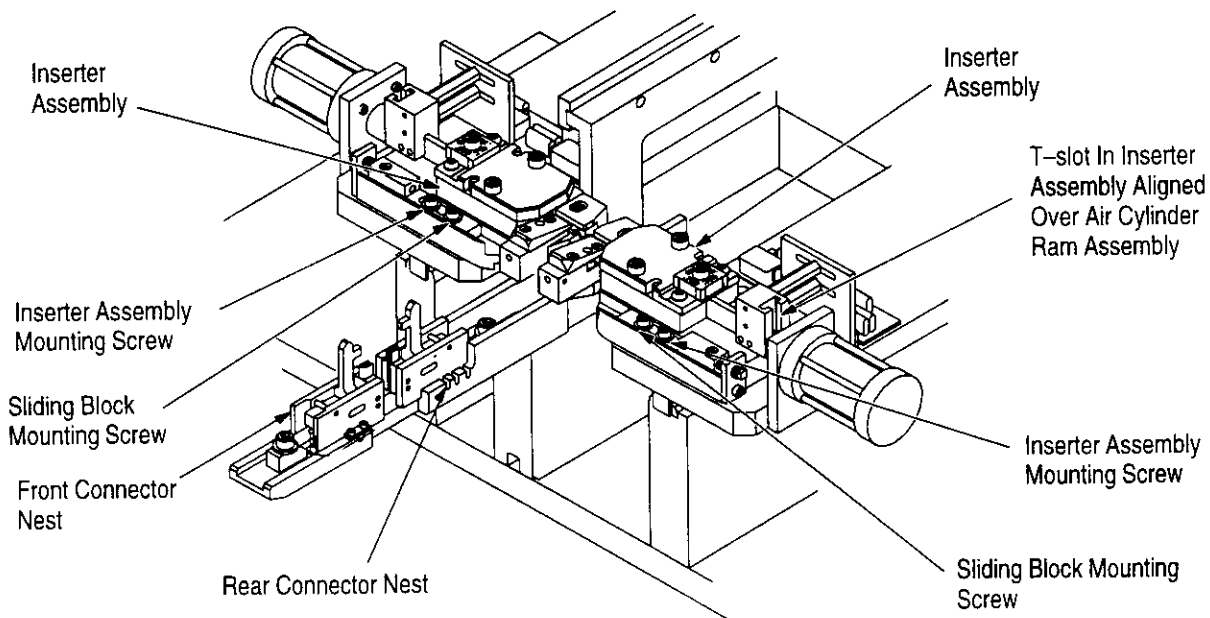


Figure 3

4. ADJUSTMENTS

DANGER

Disconnect the power to the control module and lockout the pneumatic valve **BEFORE** adjusting any tooling.

4.1. Mandrel Assembly Height

The mandrel assembly height is adjustable to locate the connector contacts in correct relation to the inserter assemblies' inserter tips. To adjust the height:

1. Place the setup fixture into the connector nest and lock into place.
2. With the machine's electrical and air power disabled, manually move the machine's carriage assembly so that the inserter tips are aligned with the cutout portion of the setup fixture.
3. Remove the top plate of the inserter assembly using a 1/8-in. hex wrench.
4. Remove inserters from inserter assemblies.
5. Loosen right and left inserter assembly using a 5/32-in. hex wrench.
6. Using a 7/64-in. hex wrench, loosen the guide block and housing mounting screws of the right and left inserter assemblies.
7. Place alignment fixture in machine. Tighten right and left inserter assemblies.
8. Measure the distance between the setup fixture and alignment fixture. See Figure 4.
9. Peel shim (224531-1) to acquire the measured dimension. The shim will peel in .05 mm [.002 in.] increments. See Figure 5.
10. Install shim between mandrel and mandrel mount.
11. Verify that there is .000-.076 mm [.000-.003 in.] of clearance between the setup fixture and alignment fixture. See Figure 4.
12. After properly positioning the mandrel, secure the mandrel mounting screws with a 5/32-in. hex wrench.

4.2. Inserter Assemblies

A. Inserter Position

The inserter position is important in that the guiding surfaces for the wire must control the wire up to the time it enters the connector contact. To adjust the inserter position:

1. Load the setup fixture into the mandrel assembly and secure it in place.

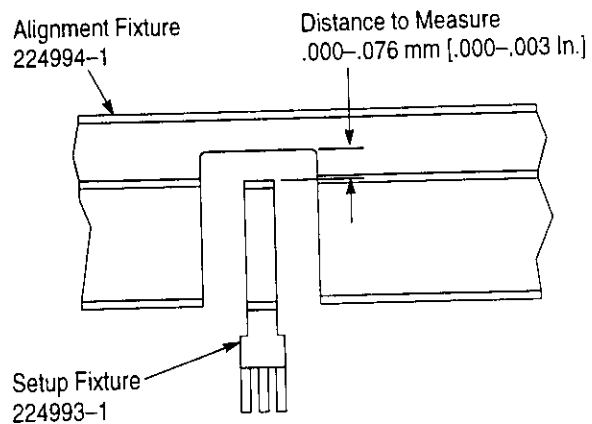


Figure 4

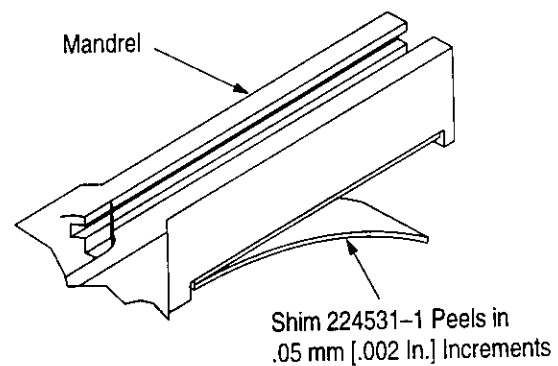


Figure 5

2. Manually move the machine's carriage to position 1.
3. Using a 5/32-in. hex wrench, loosen the two inserter assembly mounting screws. See Figure 3.
4. Loosen the sliding block mounting screws shown in Figure 3.
5. While viewing the inserter guiding surfaces, use a 5/32-in. open end or box wrench and turn the inserter position adjustment screw to move the assembly. Refer to Figure 1. Turn the screw **CLOCKWISE** to move the assembly **AWAY** from the connector, and **COUNTERCLOCKWISE** to move the assembly **TOWARD** the connector.
6. Position the inserter assemblies so that there is .025-.076 mm [.001-.003 in.] clearance between the setup fixture and the guides. See Figure 6.
7. Place alignment fixture in machine.
8. Using a 5/32-in. hex wrench, tighten the sliding block mounting screws and the two inserter assembly mounting screws.

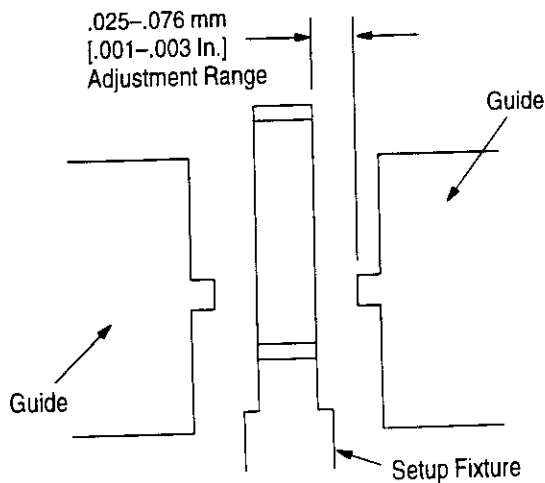


Figure 6

B. Wire Insertion Depth

The length of travel of the inserter ram may be adjusted. Normally, the inserters will not require this adjustment unless the insulation diameter is changed. To adjust the depth, refer to Figure 1 and proceed as follows:

1. Look at the top of the inserter assembly and read the wire insertion depth stop currently in use.
2. Using a 5/32-in. hex wrench, remove the stop mounting screw, and remove the stop from the inserter assembly.
3. Determine the stop dimension from the marking on the top of the stop closest to the cylinder.
4. Measure the insulation diameter of the wire presently being used, then measure the insulation diameter of the new wire to be used.
5. Determine the difference between the two insulation diameters, then subtract one half of this difference. Use the resulting number to determine the dimension of the new stop (add the figure to the old stop dimension if the diameter is increasing, subtract if the diameter is decreasing).
6. Place the correct stop onto the inserter assembly and install the stop mounting screws.
7. Repeat the above procedure for the other inserter assembly.

NOTE

Make sure that the inserter vane switches "make" in the inserted position by using Diagnostic Mode 3 on the control module. Refer to the Customer Manual supplied with the module.

C. Inserter Guide Opening

The inserter guide opening helps control the placement of the wire into the connector contacts.

This gap should be adjusted to accommodate changing wire outside diameter. To adjust the opening:

1. Remove top plate of the inserter assembly using 1/8-in. hex wrench.
2. Remove inserter from inserter assembly.
3. Using a 7/64-in. hex wrench, loosen the guide block and housing mounting screws.
4. Measure the outside diameter of the new wire to be used.
5. Locate the setup gage that is the same size as, or that is one size larger than, the measured wire. Insert the setup gage into the inserter assembly until the gage bottoms against the guide block. Refer to Figure 7.
6. Gently force the guide blocks against the setup gage and secure.
7. Re-install the inserter subassembly.
8. Re-install the top plate of the inserter assembly.

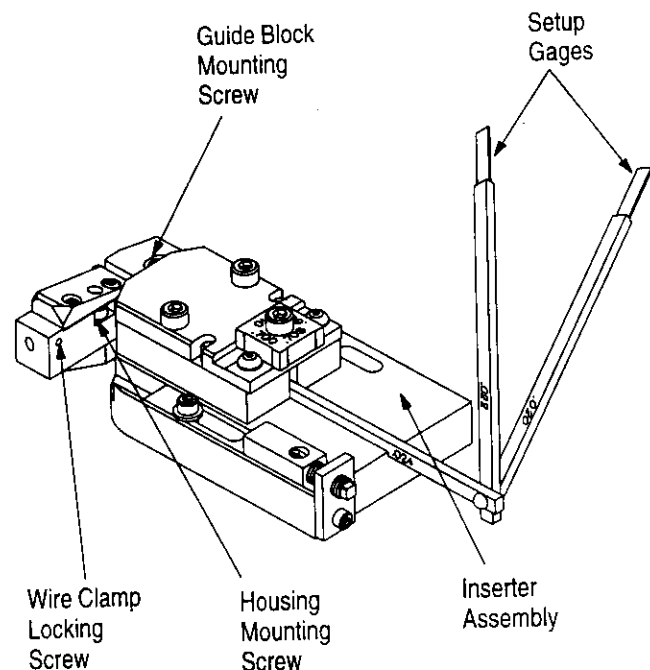


Figure 7

D. Wire Clamp Force (Figure 7)

The clamp force exerted on the wire during the termination process controls the wire's vertical placement in the connector contacts. Excessive clamp force will tend to extrude the wire insulation during termination, resulting in poor termination quality. To adjust the force:

1. Using a .035-in. hex wrench, loosen the wire clamp locking screw.

2. Using a .050-in. hex wrench, turn the wire clamp adjustment screw. Turning the screw **CLOCKWISE** will **INCREASE** the clamp force, and turning the screw **COUNTERCLOCKWISE** will **DECREASE** the clamp force.
3. Terminate several wires to verify the adjustment.
4. Using a .035-in. hex wrench, tighten the wire clamp locking screw.

4.3. Connector Nest

Connector Size – Same Type

To adjust for different connector sizes of the same type:

1. Using a 5/32-in. hex wrench, loosen and remove the rear connector nest.
2. Engage the rear connector nest in the notch of the mandrel assembly.
3. Using a 5/32-in. hex wrench, secure the rear connector nest with the socket head cap screw.

5. OPERATION

1. Load the connector to be terminated into the connector nest.
2. Fasten the front and rear connector clamps onto the connector.
3. Load the cable into the cable clamp, if applicable. Refer to the instructions supplied with the clamp.
4. Press the machine's **INDEX** and **LOAD** buttons. The machine will move to the first connector position to be terminated.
5. Untwist the wire pair designated for the first pair of connector contacts.
6. Place each wire into its own insertion area and actuate the machine's inserter switches. The machine will trim and insert the wires into the contacts, then will automatically index to the next connector position.

6. MAINTENANCE

6.1. Periodic Cleaning

Clean all debris and insulation buildup from the inserter assemblies.

6.2. Lubrication

Remove the cover plate and place a few drops of light oil onto the wire clamp slide. Cycle several times and wipe off excess oil before terminating wires.

6.3. Visual Inspection

1. Inserter tip – check for cracks, chips, or burrs. Remove or replace as necessary.
2. Guide block housing – check for burrs or gouges. Remove burrs.
3. Shear blade – check for chips or burrs. Replace as necessary.
4. Inserter mounting plate – check for cracks, specifically around the lower shear mounting slot. Replace as necessary.

7. REPLACEMENT PARTS

Figure 8 lists the items that are recommended as either expendable tooling or spare tooling. Expendable tooling, which includes items that are subject to wear, should be inspected regularly and replaced, if necessary.

Recommended spare tooling includes items that should be stocked to prevent machine downtime in the event that they become damaged.

For detailed information on the location of these items, and other replacement parts, refer to the drawings supplied in the tooling kit's documentation package.

EXPENDABLE TOOLING	
Part Number	Description
1-21006-9	Setscrew
21018-3	Hex Nut
224544-1	Inserter Tip
852753-1	Spring (Modified)
224542-1	Lower Shear
RECOMMENDED SPARE TOOLING	
Part Number	Description
768774-1	Adjustment Screw
986746-1	Male-Female Stand-off

Figure 8

8. REVISION SUMMARY

Since the previous release of this sheet, the following changes were made:

Per EC 0990-0932-95

- Added mandrel mount to Figure 1.
- Reordered paragraphs 4.1 and 4.2.
- Repositioned gages in Figure 5.
- Added step 6 in paragraph 4.1.
- Added step 7 in paragraph 4.2.A.

9. TROUBLESHOOTING

PROBLEM	PROBABLE CAUSE	SUGGESTED ACTION
Connector contacts being damaged.	Incorrect mandrel height.	Adjust height as described in this sheet.
	Inserter assembly out of adjustment.	Adjust inserter assembly as described in this sheet.
	Machine's offset not set correctly.	Adjust offset. Refer to Customer Manual 409-5839, which is supplied with the machine.
	Damaged inserter tip.	Inspect/replace inserter.
	Connector clamp too tight.	Adjust connector clamp force as described in this sheet.
Wire shear length varying.	Inserter guide opening not properly set.	Adjust opening as described in this sheet.
	Wire clamp force not correct.	Adjust force as described in this sheet.
	Inserter assembly out of adjustment.	Adjust inserter assembly as described in this sheet.
	Damaged inserter tip or lower shear.	Inspect/replace inserter or shear as necessary.
Insulation extruded.	Wire clamp force too great.	Adjust force as described in this sheet.
	Inserter guide opening not properly set.	Adjust opening as described in this sheet.
Damage to wires above contact's wire insertion area.	Inserter assembly position too close to connector.	Adjust inserter assembly position as described in this sheet.
	Cable breakout too low.	Raise position of cable (and wire breakout) on cable clamp.
Wire not centered in contact's wire insertion area.	Inserter guide opening not properly set.	Adjust opening as described in this sheet.
	Machine's offset not set correctly.	Adjust offset. Refer to Customer Manual 409-5839, which is supplied with the machine.
	Damaged inserter tip.	Inspect/replace inserter.
	Damaged connector clamps.	Inspect/replace connector clamps.
Wire strands cut.	Wire insertion too deep.	Adjust wire insertion depth as described in this sheet.
Wire falling out of contacts.	Wire insertion too short.	Adjust wire insertion depth as described in this sheet.
		Adjust inserter vane using control module's Diagnostic Mode 3. Refer to Customer Manual 409-5791, which is supplied with the module.
	Adjust machine offset. Refer to Customer Manual 409-5839, which is supplied with the machine.	