

DO NOT SCALE

DIMENSIONS IN mm

METRIC

THIRD ANGLE
PROJECTION

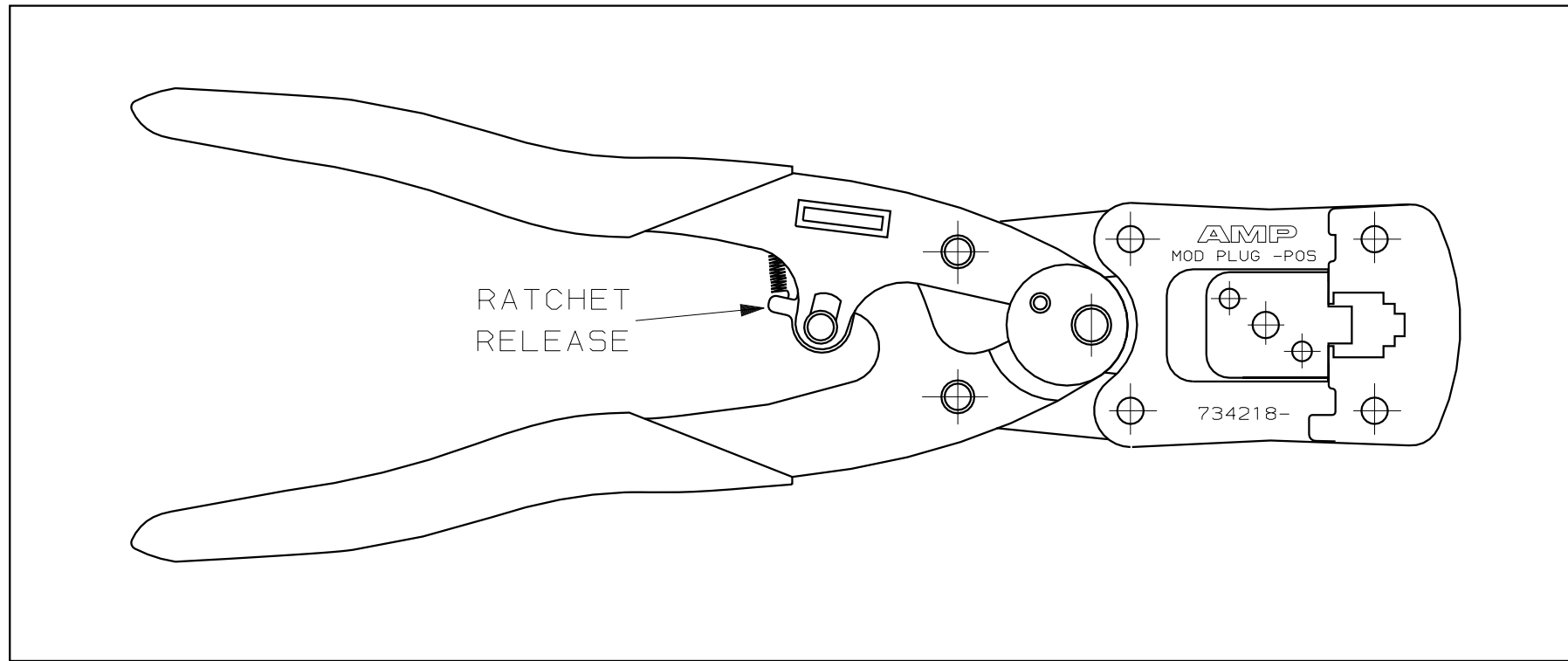
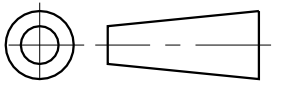


FIG. 1

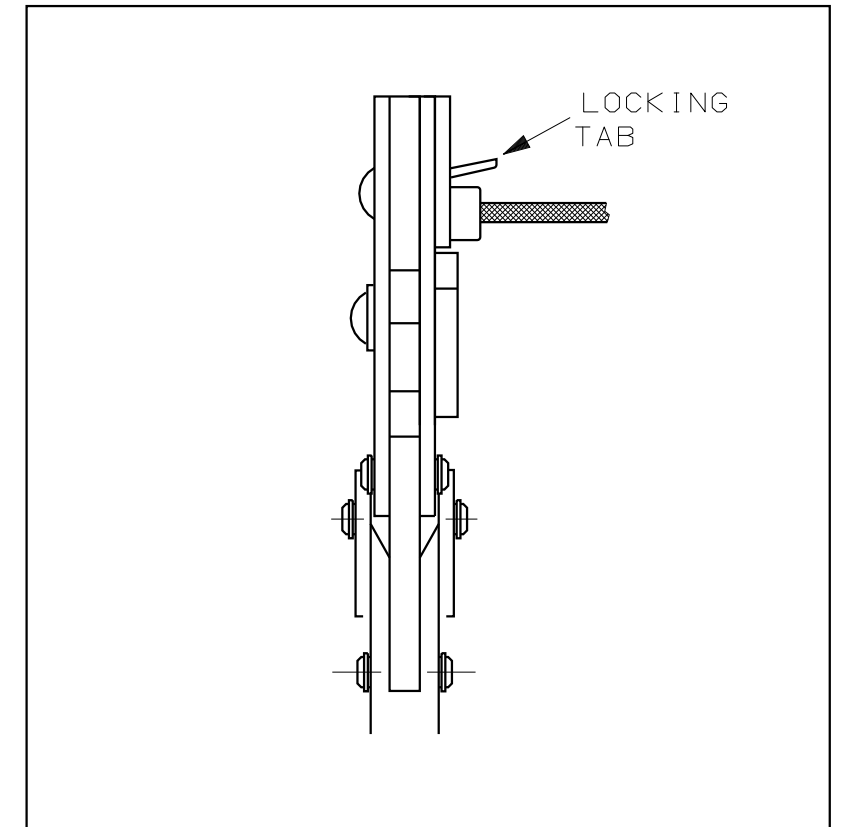


FIG. 4

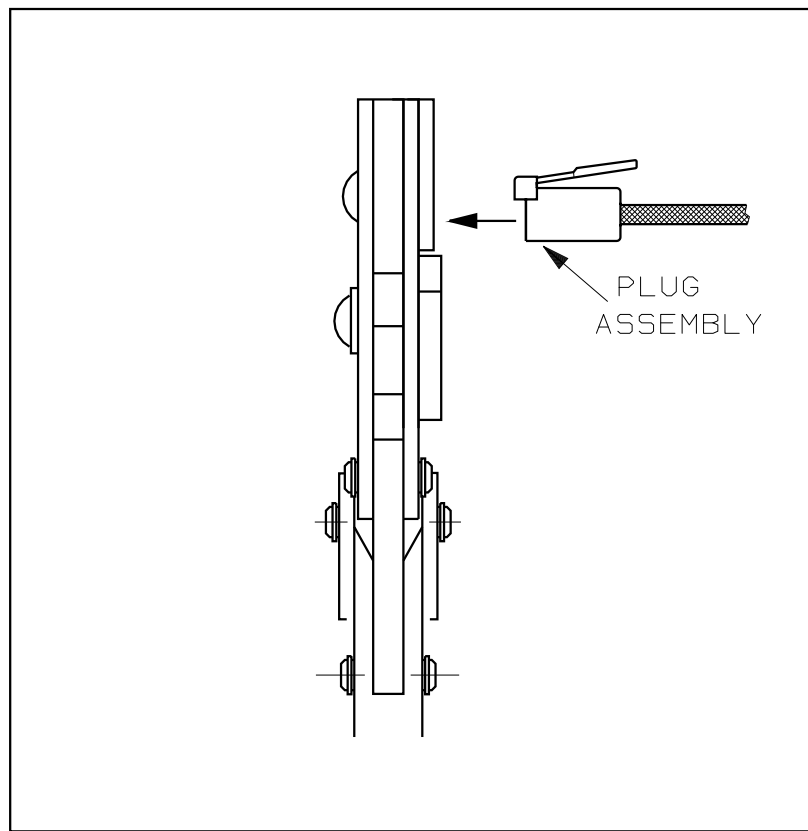


FIG. 3

| | | | | | |
|---------------------|-----------------|---|----------------------------------|---|--------------------|
| | | FINISH | | | |
| CUSTOMER DRAWING | | AMP | | AMP-HOLLAND B.V. | |
| | | | | 's-Hertogenbosch, The Netherlands. | |
| | | FOR REFERENCE ONLY WILL NOT BE UPDATED | | THIS DRAWING IS UNPUBLISHED RELEASED FOR PUBLICATION 19 | |
| | | © COPYRIGHT 19- BY AMP-HOLLAND B.V. ALL INTERNATIONAL RIGHTS RESERVED. AMP PRODUCTS MAY BE COVERED BY U.S. AND FOREIGN PATENTS AND/OR PATENTS PENDING. | | | |
| DR. P. BEIJNON | DATE 24-2-89 | WIRE RANGE - | NAME HANDTOOL FOR MOD PLUG | | REV. DATE D M Y |
| CHK. R. VOS | DATE - | INSUL. RANGE - | | | 24 2 89 |
| APP. L.V. SOEST | DATE - | SIZE A3 | SHEET 1 OF - | DWG. No. 734218 | REV. LTR. Z |

8

7

6

5

4

3

2

1

B

A