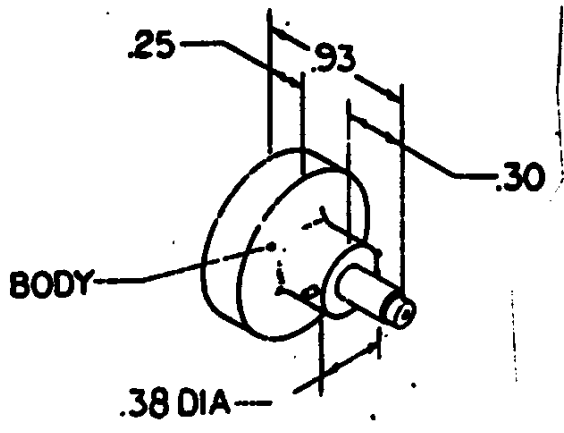
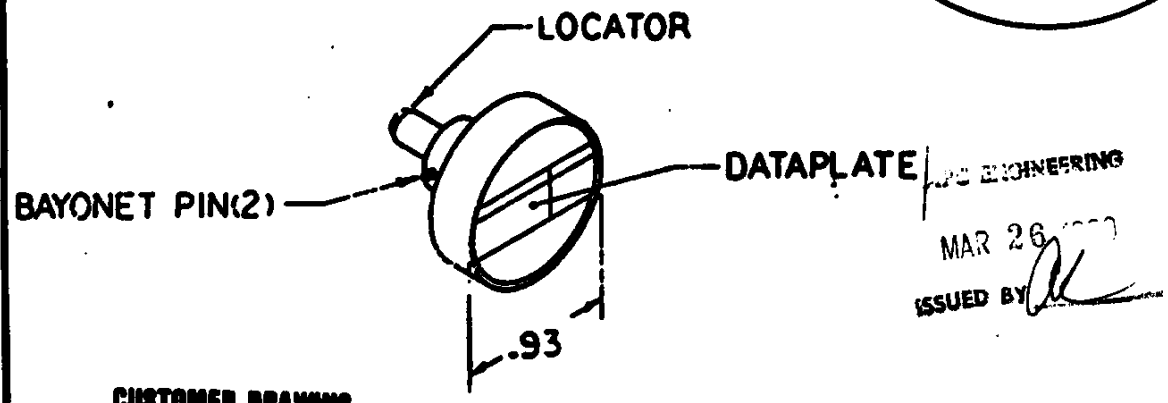


USED ON 601966-1

THIS INFORMATION IS CONFIDENTIAL AND IS DISCLOSED TO YOU ON CONDITION THAT NO FURTHER DISCLOSURE IS MADE BY YOU TO OTHERS WITHOUT WRITTEN AUTHORIZATION FROM AMP PRODUCTS CORP., VALLEY FORGE, PA., U. S. A.
 DO NOT SCALE DRAWING



USE WITH CONTACTS		
SEL.	M24308/10-1 M24308/11-1 M30029/11-20-20 M30029/12-20-20	M24308/16&17 -1 THRU -5 INNER P & S
4	---	RG141A, 142A, 142B, 178B, 180B, 198, 198A, 198A, 303, 316/U
5	24	RG55B, 50C, 223/U
6	22	---
7	20	---



CUSTOMER DRAWING
UNPUBLISHED

50		601966-5		POSITIONER, AS SHOWN		ITEM NO	
D		DWG SIZE		PART NO		DESCRIPTION	
DIST		← REVISION OF EACH ASSY NO (WHEN BLANK, USE DWG REVISION)					
1		QTY REQD PER ASSY		PARTS LIST			
		MATERIAL		HEAT TREAT		FINISH	
		---		---		---	
		TOLERANCES UNLESS OTHERWISE SPECIFIED:		DR Ray Johnston 6-9-88		APP Ray Johnston 6-9-88	
		DECIMALS:		CHK W. Werner 6/12/88		REL F. HARNED 3-20-89	
		.00 = ± .02		AMP PRODUCTS CORPORATION Valley Forge, PA 19482 A Subsidiary of AMP Incorporated			
		.000 = ± .008					
		.0000 = ± .0008					
		ANGLES: ± 0° 30'		NAME			
		FRACTIONS: ± 1/64		POSITIONER, K13-1			
		REMOVE BURRS		SCALE		SHEET	
		O REL DWS 6-9-88 P1. 6/88		A		REV	
		REVISION RECORD		APP DATE		0	
				DWS NO		601966-5	