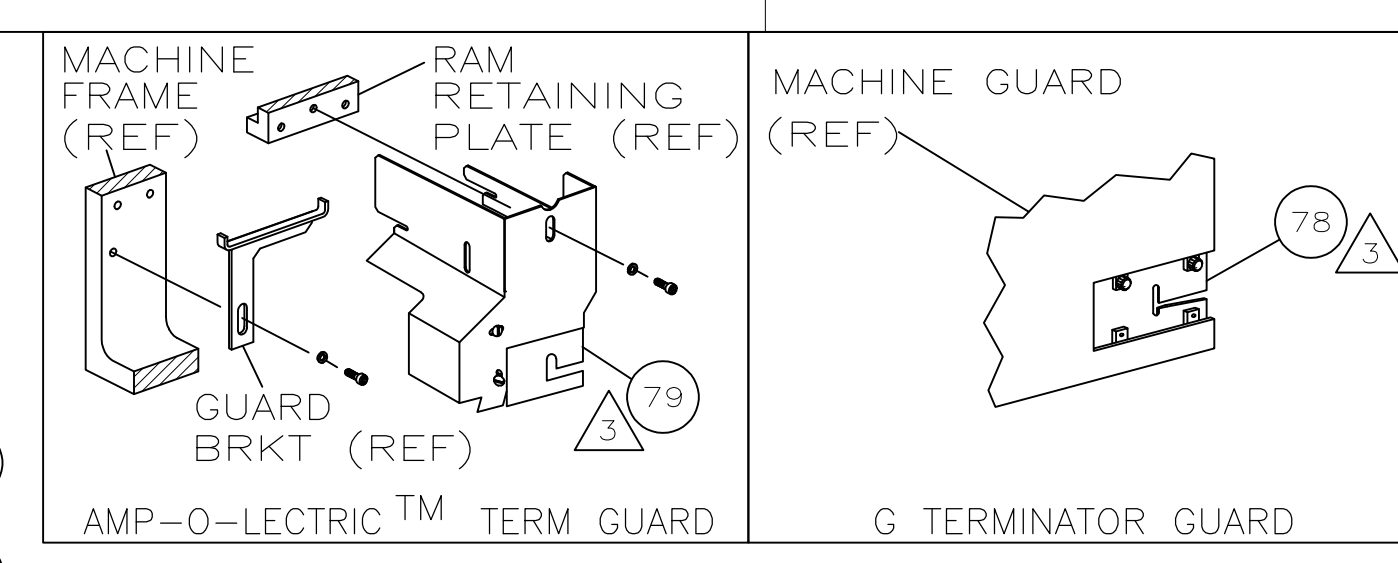


THIS DRAWING IS UNPUBLISHED. RELEASED FOR PUBLICATION. COPYRIGHT BY TYCOE ELECTRONICS CORPORATION. ALL RIGHTS RESERVED.

PART NUMBER	REV	FIRST USED
567251-1	L	854400-1
567251-2	L	565435-5
567251-3	L	354500-1
7-567251-7	H	



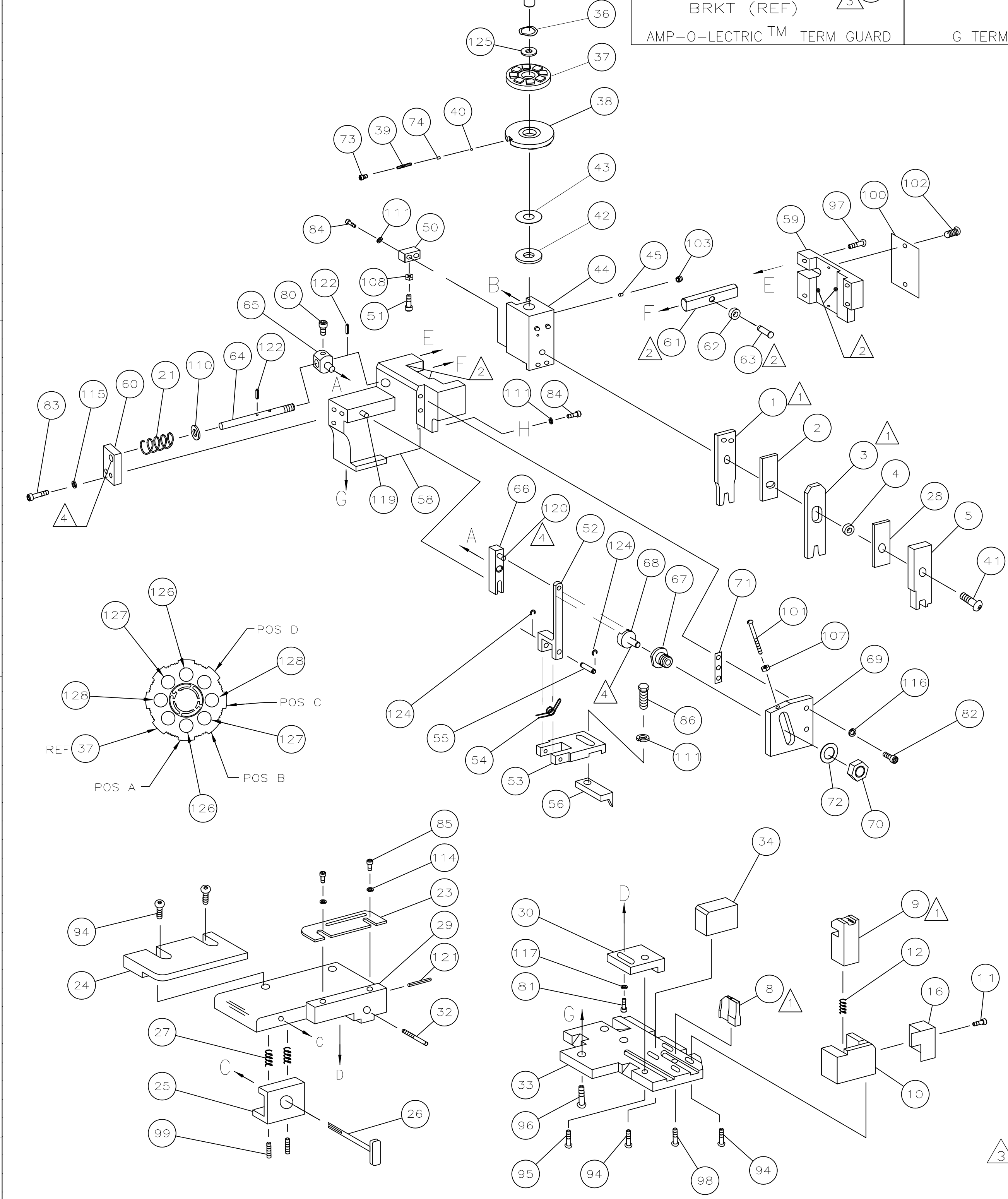
PIN	SOCKET
171636	171637

PAD LTR	CRIMP HEIGHT	WIRE SIZE
A	.051 ±0.002	(1)16 OR (2)20
B	.048 ±0.002	18
C	.042 ±0.002	20
D	NOT	USED

CRIMP	SIZE	TYPE	RANGE
WIRE	.070	F	20-16
INSUL	.140	F	.079-.126 OR (2).094
FEED	.472	408-8040	SET UP GAGE LAYOUT 458637-1 L-1284
WIRE STRIP LENGTH			

LOC	DIST	REVISIONS			
A	66	REV	DESCRIPTION	DATE	BY
L	ECR-07-014955			6-2007	MY

-1	LEADMAKER	MECH POST FEED	-77	SPARE TOOLING KIT
-2	BENCH MODEL K	MECH PRE FEED		
-3	BENCH MODEL G	MECH PRE FEED		



QTY REQD PER ASSY	PARTS LIST	DESCRIPTION	ITEM NO				
-	2	2	2	3-354779-8	PIN, WIRE DISC (.3180)C	129	
-	2	2	2	2-354779-6	PIN, WIRE DISC (.3120)B	128	
-	2	2	2	2-354779-0	PIN, WIRE DISC (.3090)A	126	
-	1	1	1	986950-1	WASHER, FLAT PRECISION	125	
-	REF	REF	REF	21045-3	RING,RET "C"(Ø.187)FD FING PIN	124	
-						123	
-	REF	REF	REF	5-21028-1	PIN,SLT SPR(Ø.125x.50)ADJ ROD	122	
-	1	1	1	4-21028-0	PIN,SLT SPR(Ø.093x.75)ST GDE PL	121	
-	REF	REF	REF	1-21030-1	PIN,DOWEL(Ø.187x.50)LEVER	120	
-	REF	REF	REF	1-21030-6	PIN,DOWEL(Ø.187x1.25)HOUSING	119	
-						118	
-	1	1	1	21024-5	WASHER, LOCK(#10)ADJ BLOCK	117	
-	REF	REF	REF	21024-5	WASHER,LOCK(#10)ADJ PLATE	116	
-	REF	REF	REF	21024-5	WASHER,LOCK(#10)FEED GDE ROD	115	
-	2	2	2	21024-2	WASHER,LOCK(#4)FRONT STP GUIDE	114	
-						113	
-	4	4	4	21024-4	WASHER,LOCK(#8)STRIPPER	111	
-	REF	REF	REF	21899-4	WASHER,FLAT(Ø5/16)SCREW ADJ	110	
-						109	
-	1	1	1	21018-5	NUT,HEX(NO.6)HOLDDOWN	108	
-	REF	REF	REF	21018-5	NUT,HEX(6-32)FEED ADJ	107	
-						106	
-						105	
-	1	1	1	21009-2	SCR,SKT SET(1/4-20x.25 LW)RAM	103	
-	2	2	2	21017-2	SCR,DRIVE(#2x.19)ID PLATE	102	
-	REF	REF	REF	6-23715-5	SCR,PAN HD(6-32x1.50)FEED ADJ	101	
-	1	1	1	461264-1	PLATE, IDENTIFICATION	100	
-	2	2	2	5-21006-6	SCR,SET(10-32x.75)DRAG	99	
-	1	1	1	22733-8	SCR,BHC(8-32x.38 LW)ANVIL	98	
-	REF	REF	REF	2-21002-9	SCR,BHC(10-32x.75)CAP	97	
-	REF	REF	REF	2-22733-8	SCR,BHC(1/4-20x.62)HOUSING	96	
-	REF	REF	REF	2-21002-7	SCR,BHC(10-32x.50)SG ADJ BLOCK	95	
-	6	6	6	2-21002-2	SCR,BHC(8-32x.50)SHEAR	94	
-						93	
-						92	
-	1	1	1	1-21002-7	SCR,BHC(6-32x.38)CAM	91	
-						90	
-						89	
-						88	
-						87	
-	1	1	1	2-22603-0	SCR,HEX HD(8-32x.31)FEED FINGER	86	
-	2	2	2	1-21000-3	SCR,SHC(4-40x.25)F ST GUIDE	85	
-	3	3	3	2-21000-7	SCR,SHC(8-32x.50)STRIPPER	84	
-	REF	REF	REF	3-21000-7	SCR,SHC(10-32x.75)FEED ROD GD	83	
-	REF	REF	REF	3-21000-6	SCR,SHC(10-32x.62)FD ADJ BLK	82	
-	1	1	1	3-21000-4	SCR,SHC(10-32x.38)SG ADJ BL	81	
-	REF	REF	REF	3-21000-4	SCR,SHC(10-32x.38)PIVOT BLK	80	
-	REF	REF	REF	455749-1	GUARD, WINDOW	79	
-	REF	REF	REF	679532-1	INSERT, GUARD	78	
-						77	
-						76	
-						75	
-	1	1	1	690603-1	SPRING, ASSIST	74	
-	1	1	1	23030-1	SCR,SHC(6-32x.25 SL)INS DISC	73	
-	REF	REF	REF	458109-1	WASHER, SPECIAL	72	
-	REF	REF	REF	690517-1	SPACER	71	
-77	-3	-2	-1	U/M	PART NO	DESCRIPTION	ITEM NO

QTY REQD PER ASSY	PARTS LIST	DESCRIPTION	ITEM NO				
-	REF	REF	REF	22594-8	NUT,HEX(1/2-20)	70	
-	REF	REF	REF	240628-1	PLATE, ADJUSTMENT	69	
-	REF	REF	REF	240626-1	SHAFT, PIVOT	68	
-	REF	REF	REF	240633-1	BUSHING	67	
-	REF	REF	REF	455680-1	LEVER, INTERMEDIATE	66	
-	REF	REF	REF	240629-1	BLOCK, PIVOT	65	
-	REF	REF	REF	240632-2	SCREW, ADJ FEED ROD	64	
-	REF	REF	REF	240659-3	PIN, CAM ROLLER	63	
-	REF	REF	REF	240658-1	ROLLER, CAM	62	
-	REF	REF	REF	454398-2	ROD, FEED	61	
-	REF	REF	REF	454178-1	GUIDE, FEED ROD	60	
-	REF	REF	REF	454220-1	CAP, RAM	59	
-	REF	REF	REF	454485-1	HOUSING	58	
-						57	
-	1	1	1	458537-2	PAWL, FEED	56	
-	REF	REF	REF	240624-1	PIN, FEED FINGER	55	
-	REF	REF	REF	691499-1	SPRING, FEED FINGER	54	
-	REF	REF	REF	690541-1	HOLDER, FEED FINGER	53	
-	REF	REF	REF	455679-1	LEVER, TERMINAL FEED ARM	52	
-	1	1	1	811242-2	BUMPER, HOLDDOWN	51	
-	1	1	1	690753-1	SPACER, TONKER	50	
-	1	-	-	690602-6	CAM, PRE-FEED 1 5/8 ST	49	
-	-	1	-	690602-5	CAM, PRE-FEED 1 1/8 ST	48	
-	-	-	1	690501-4	CAM, POST-FEED 1 5/8 ST	47	
-	1	1	1	459456-1	APPLICATOR, BASIC (SUBASSY)	46	
-	1	1	1	690191-1	PLUG, NYLON	45	
-	1	1	1	455673-1	RAM	44	
-	1	1	1	690125-1	WASHER, LAMINATED	43	
-	1	1	1	690124-3	WASHER, RAM	42	
-	1	1	1	7-21002-9	BOLT, CRIMPER(5/16x1.00)	41	
-	1	1	1	23241-6	BALL, STEEL	40	
-	1	1	1	690170-1	SPRING, COMPRESSION	39	
-	1	1	1	690142-3	DISC, INSULATION	38	
-	1	1	1	354777-1	WIRE DISC, PLASTIC	37	
-	1	1	1	22480-5	WASHER, SPRING	36	
-	1	1	1	690212-1	POST, RAM	35	
-	1	1	1	692776-2	SUPPORT, TERMINAL	34	
-	REF	REF	REF	455675-1	PLATE, BASE	33	
-	1	1	1	690432-3	SCREW, ADJUSTMENT	32	
-						31	
-	REF	REF	REF	455689-1	BLOCK, STRIP GUIDE ADJ	30	
-	1	1	1	455671-1	PLATE, STRIP GUIDE	29	
-	1	1	1	1-455888-5	SPACER, FRONT SHEAR DEP	28	
-	2	2	2	1-22284-0	SPRING, DRAG	27	
-	1	1	1	690546-1	LEVER, DRAG RELEASE	26	
-	1	1	1	240792-1	DRAG, TERMINAL	25	
-	1	1	1	6-690504-8	GUIDE, STRIP (REAR)	24	
-	1	1	1	690438-1	GUIDE, STRIP (FRONT)	23	
-	-	-	1	690472-2	STRIPPER	22	
-	REF	REF	REF	4-22284-9	SPRING, FEED RETURN	21	
-						20	
-	1	1	-	691353-1	STRIPPER	19	
-						18	
-						17	
-	1	1	1	691667-1	GUARD, CHIP (FRONT)	16	
-						15	
-						14	
-						13	
-	1	1	1	3-22280-3	SPRING, SHEAR	12	
-	1	1	1	690461-1	STOP, SHEAR	11	
-	1	1	1	690459-1	HOLDER, SHEAR (FRONT)	10	
-	1	1	1	462006-1	SHEAR, FLOAT (FRONT)	9	
1	1	1	1	5-803653-7	ANVIL	8	
						7	
						6	
-	1	1	1	2-455889-0	DEPRESSOR, SHEAR (FRONT)	5	
-	1	1	1	2-238011-2	SPACER, BLOCK CRIMPER	4	
-	1	1	1	8-456134-2	CRIMPER, INSULATION	3	
-	1	1	1	455888-5	SPACER, CRIMPER	2	
-	1	1	1	2-456404-5	CRIMPER, WIRE	1	
-77	-3	-2	-1	U/M	PART NO	DESCRIPTION	ITEM NO

