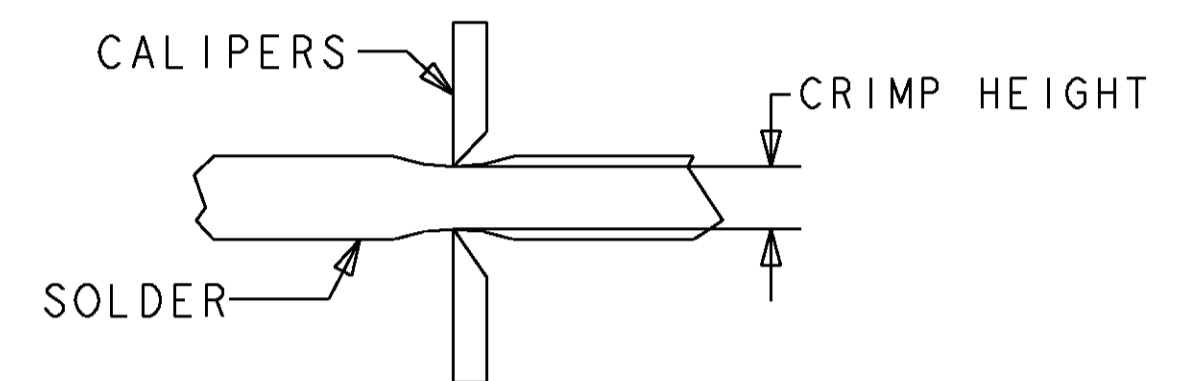


PART NUMBER	REV	FIRST USED	POWER UNIT	FEED TYPE
567142-1	R	854400-1	LEADMAKER	AIRFEED
567142-2	R	565435-5	BENCH MODEL K	AIRFEED
567142-3	R	843083-1	LEADMAKER	DOUBLE ACTING AIRFEED
567142-4	R	354500-1	BENCH MODEL G	AIRFEED
7-567142-7	K	-	SPARE TOOLING KIT	-

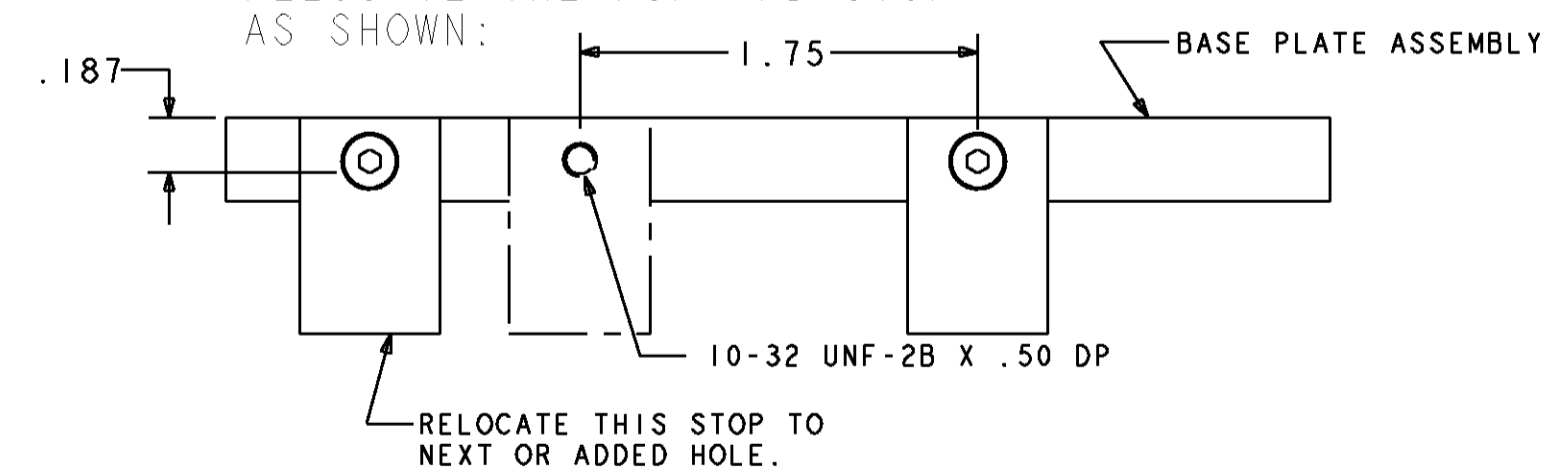
TERMINAL NAME: FULLY INSULATED FASTON					
AMP TERMINAL - AMP CRIMP SPECS					
PAD LTR	CRIMP HEIGHT	WIRE SIZE	Ø SOLDER		
A	.100±.002	10	Ø.25		
B	.095±.002	12	Ø.25		
C	-	-	-		
D	-	-	-		
CRIMP	SIZE	TYPE	RANGE		
WIRE	.278	D	12-10		
INSUL	-	-	Ø.320 MAX		
WIRE STRIP LENGTH	TERM APPL SPEC	FEED	APPL INSTRUCTIONS	SET UP GAGE	LAYOUT
-	114-2123	.790-.940	408-8051	458637-1	L1236

LOC	DIST	REV	DATE	BY	APPD
A	66	R	21FEB2007	BW	TM

- 1 RECOMMENDED SPARE PARTS.
- 2 GREASE LIGHTLY.
- 3 GUARD MUST BE IN PLACE WHEN OPERATING APPLICATOR IN A BENCH MACHINE.
- 4 SEE DRAWING FOR COMPONENTS.
- 5 TO CHECK CRIMP HEIGHT, CRIMP SOLDER (Ø.25 60/40 SOLID CORE) AND MEASURE AT CENTER OF SLUG.



- 6 CUT TO LENGTH AT ASSEMBLY.
- 7 ITEM 16 MUST BE REMOVED IF APPLICATOR IS REMOVED FROM LEADMAKER AND PLACED IN AMP-O-LECTRIC* TERMINATING UNIT.
- 8 ITEM 76 REQUIRED WHEN APPLICATOR IS REMOVED FROM LEADMAKER AND PLACED IN AMP-O-LECTRIC* TERMINATING UNIT.
- 9 INSTALL ITEM 75 IN CHIP RELIEF HOLE OF T-TERMINATING UNIT BEFORE INSTALLING APPLICATOR.
- 10 REMOVE WIRE FUNNEL WHEN USING THIS APPLICATOR ON AMPOMATOR* FEED SIDE T-TERMINATING UNIT.
- 11 IT MAY BE NECESSARY TO MODIFY THE T-TERMINATING UNIT'S BASE PLATE BEFORE INSTALLING THIS APPLICATOR BY ADDING A 10-32 HOLE TO RELOCATE THE FORWARD STOP AS SHOWN:

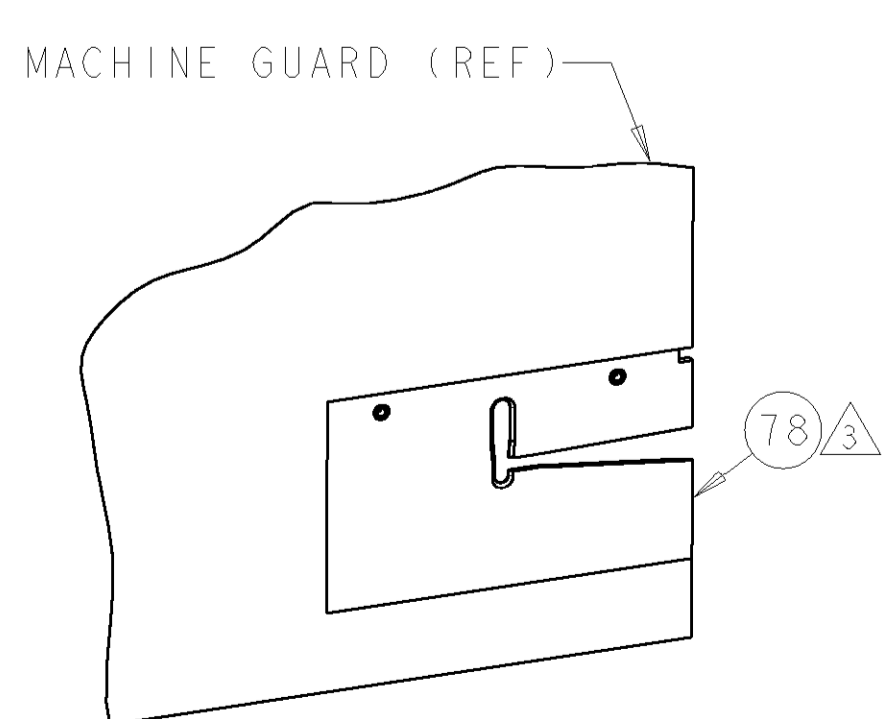
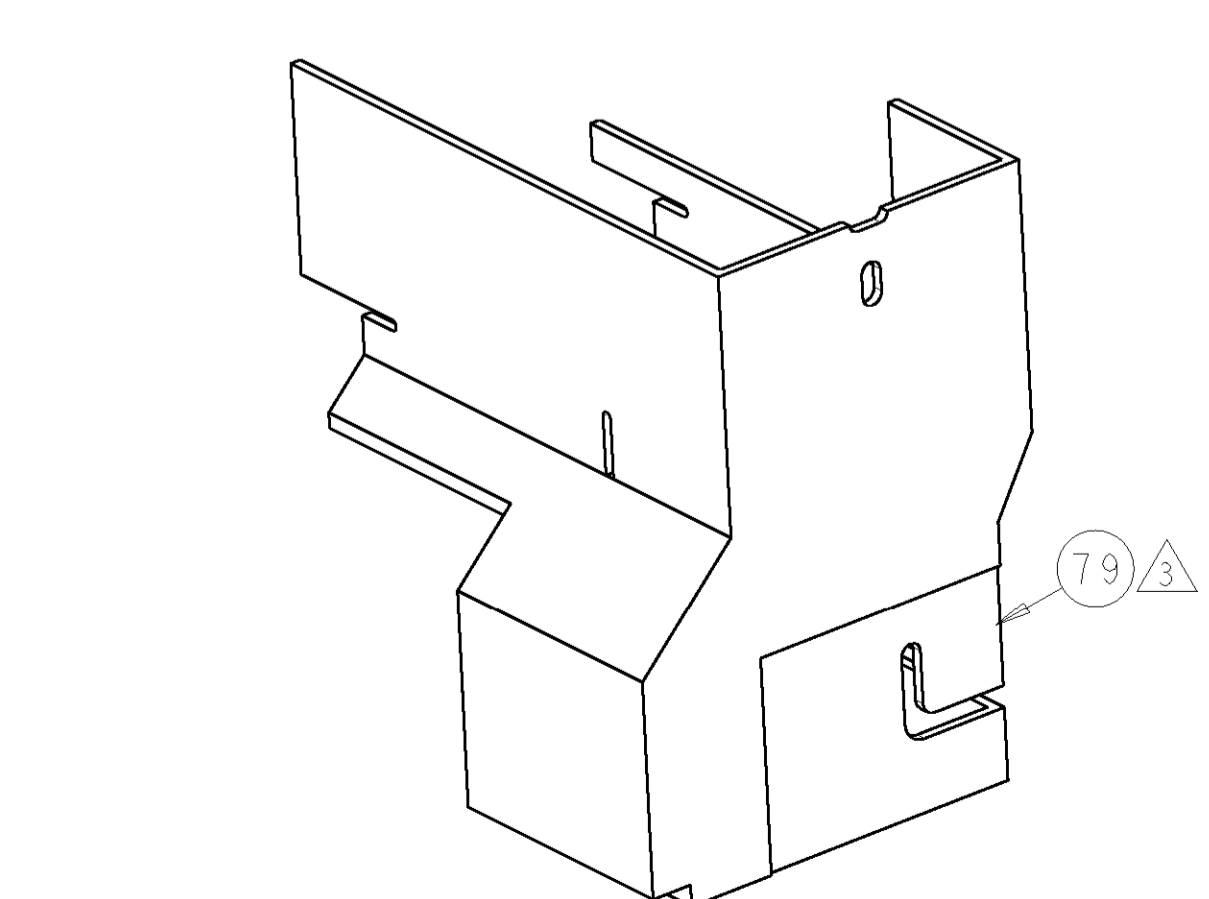
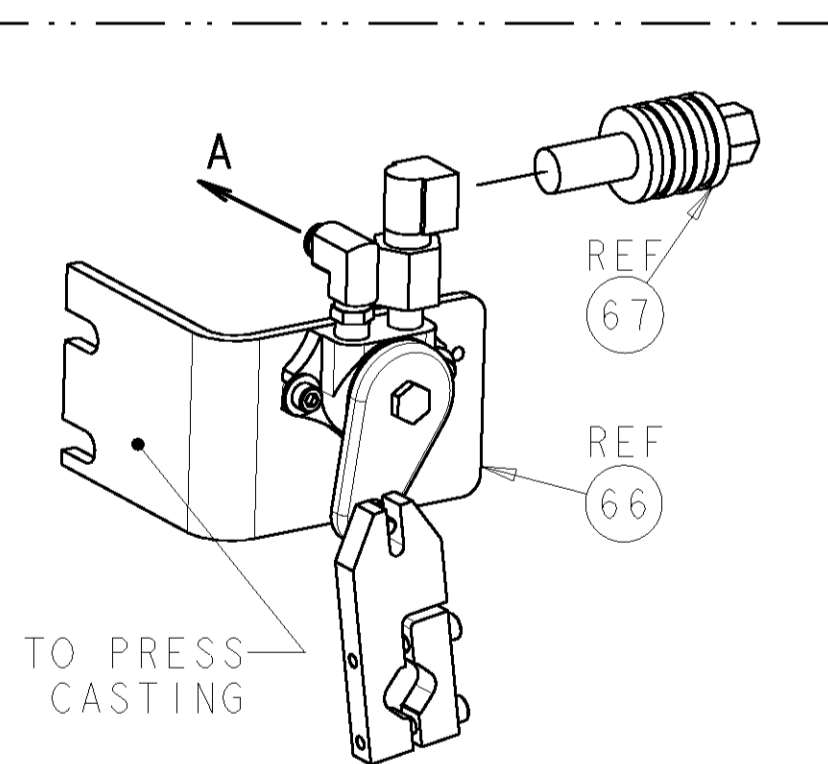
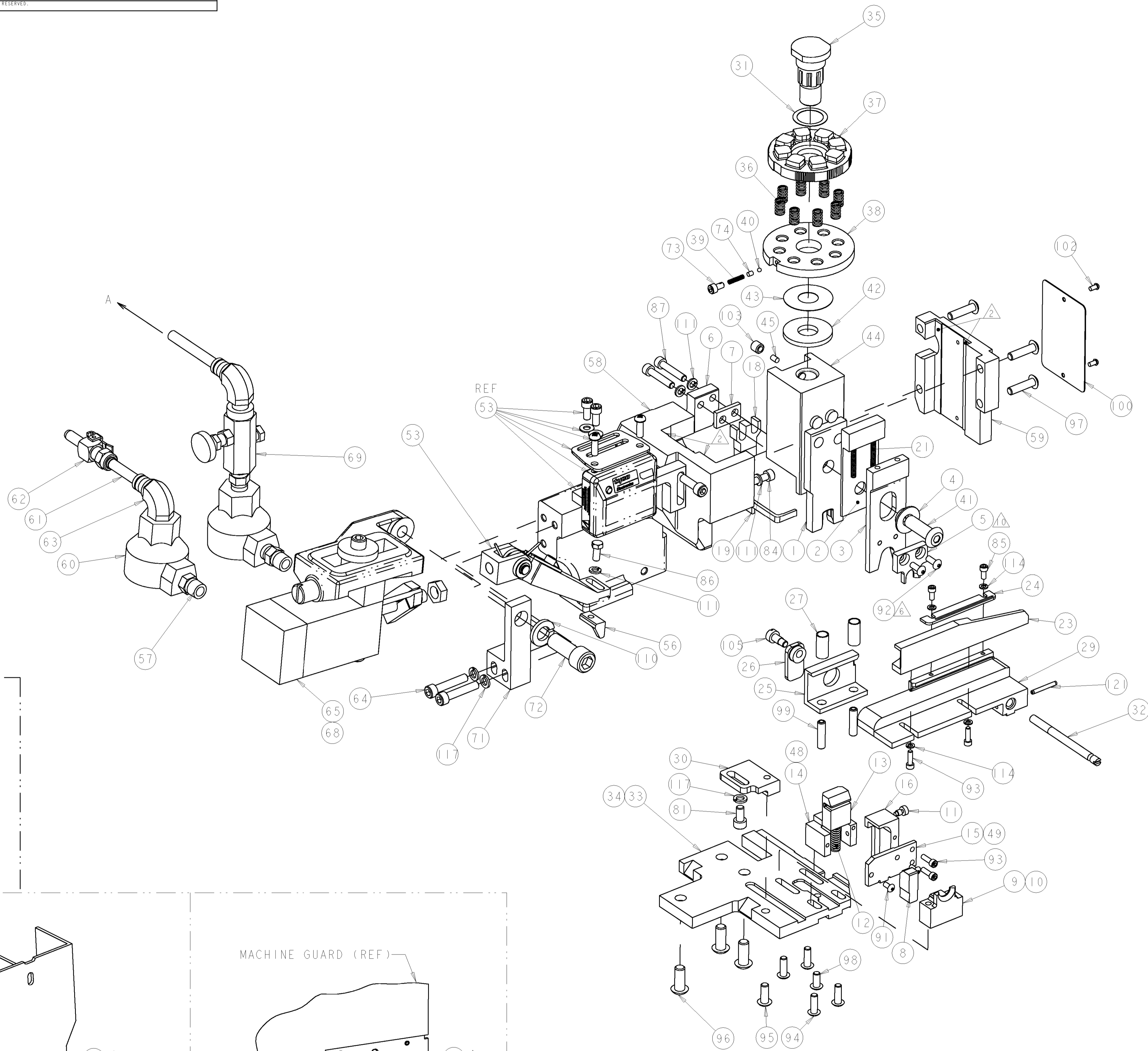


- 12 CONSULT PRODUCT ENGINEERING BEFORE USING #10 WIRE.
- 13 ITEMS 75 & 77 INSTALLED IN THE G-TERMINATING UNIT CHIP RELIEF HOLE BEFORE INSTALLING THE APPLICATOR.
- 14 ITEM NOT SHOWN.
- 15 FEED ADJUSTMENT IS REQUIRED WHEN SWITCHING TERMINALS.

-	1	1	1	1	-	4-21028-0	PIN, SLOTTED SPRING .094 X .750	121
-	3	3	3	3	-	21024-5	WASHER, SPRG LOCK, REG NO 10	117
-	4	4	4	4	-	21024-2	WASHER, SPRG LOCK, REG NO 4	114
-	4	4	4	4	-	21024-4	WASHER, SPRG LOCK, REG NO 8	111
-	1	1	1	1	-	21024-8	WASHER, SPRG LOCK, REG 3/8	110
-	1	1	1	1	-	22353-8	SCR, SHLD, SLOT HD, 3/16 DIA	105
-	1	1	1	1	-	21009-2	SCR, SET, SELF LOCKING 1/4-20 X .250	103
-	2	2	2	2	-	21017-2	SCREW, DRIVE	102
-	1	1	1	1	-	461264-1	PLATE, IDENTIFICATION	100
-	2	2	2	2	-	5-21006-6	SCR, SET, CUP POINT 10-32 X .750	99
-	1	1	1	1	-	22733-8	SCR, BHSC, SELF-LOCKING, 8-32 X .375	98
-	4	4	4	4	-	2-21002-9	SCR, BTN SKT HD CAP 10-32 X .750	97
-	3	3	3	3	-	2-22733-8	SCR, BHSC, SELF-LOCKING, 1/4-20 X .625	96
-	1	1	1	1	-	2-21002-7	SCR, BTN SKT HD CAP 10-32 X .500	95
-	4	4	4	4	-	2-21002-2	SCR, BTN SKT HD CAP 8-32 X .500	94
-	2	4	2	4	-	1-21000-4	SCR, SKT HD CAP 4-40 X .375	93
-	-	2	-	2	-	1-21002-7	SCR, BTN SKT HD CAP 6-32 X .375	92
-	2	2	2	2	-	1-21002-3	SCR, BTN SKT HD CAP 4-40 X .250	91
-	2	2	2	2	-	3-21000-0	SCR, SKT HD CAP 8-32 X .875	87
-	1	1	1	1	-	2-22603-1	SCREW, MACH, HEX HD, 8-32 X .375	86
-	2	2	2	2	-	1-21000-3	SCR, SKT HD CAP 4-40 X .250	85
-	1	1	1	1	-	2-21000-7	SCR, SKT HD CAP 8-32 X .500	84
-	1	1	1	1	-	3-21000-4	SCR, SKT HD CAP 10-32 X .375	81
-	-	1	-	1	-	1-18023-1	SCR, SHC, M4x10	80
-	-	-	1	-	-	462992-5	GUARD ASSY	79
-	REF	-	-	-	...	679532-1	INSERT, GUARD	78
-	-	1	-	1	-	189728-1	BRACKET, SPACER	77
-	-	-	1	-	...	803931-1	BRACKET, HOLD DOWN	76
-	-	-	1	-	...	568681-1	SPACER, BASE PLATE	75
-	1	1	1	1	-	690603-1	SPRING ASSIST AMP-O-MATOR APPLICATOR	74
-	1	1	1	1	-	23030-1	SCR, SKT HD CAP, S-LOCK, 6-32 X .25	73
-	1	1	1	1	-	3-21001-5	SCR, SKT HD CAP 3/8-16 X 1.000	72
-	1	1	1	1	-	459610-3	MOUNT, FEED BRACKET	71

-	-	-	1	-	-	692655-5	AIR FEED VALVE ASSEMBLY	4	69
-	-	1	-	-	-	461065-4	AIR FEED ASSY	4	68
-	-	-	REF	-	-	24042-2	VALVE, SHUT-OFF	4	67
-	-	-	REF	-	-	692655-6	AIR FEED VALVE ASSEMBLY	4	66
-	1	-	1	1	-	461065-1	ASSEMBLY, AIR FEED	4	65
-	2	2	2	2	-	3-21000-9	SCR, SKT HD CAP 10-32 X 1.000	-	64
-	1	2	-	1	-	983427-6	ELBOW, MALE, PNEUMATIC PUSH-TO-CONNECT/RELEASE	-	63
-	1	2	-	1	-	23238-1	INSERT, COUPLING	-	62
-	21.00	36.00	-	18.00	IN	27319-4	TUBING, POLY-FLO, NATURAL	-	61
-	1	-	-	1	-	22374-7	VALVE, QUICK EXHAUST	-	60
-	1	1	1	1	-	454220-1	CAP, RAM	-	59
-	1	1	1	1	-	454485-1	HOUSING, APPL CSTG	-	58
-	1	-	-	1	-	22304-1	NIPPLE, HEX, PIPE FITTING	-	57
-	1	1	1	1	-	462427-1	FINGER, FEED	4	56
-	1	1	1	1	-	461062-2	FEED FINGER ASSEMBLY	-	53
-	1	-	1	-	-	469366-2	PLATE, REAR SHEAR	1	49
-	1	-	1	-	-	467590-1	HOLDER, SHEAR	-	48
-	1	1	1	1	-	690191-1	PLUG, NYLON	-	45
-	1	1	1	1	-	455673-1	RAM, SIDE FEED	-	44
-	1	1	1	1	-	690125-1	SHIM SUB-ASSY	-	43
-	1	1	1	1	-	690124-1	WASHER, RAM (.115)	-	42
-	1	1	1	1	-	690686-2	CRIMPER, BOLT SPECIAL	-	41
-	1	1	1	1	-	23241-6	BALL, STEEL	-	40
-	1	1	1	1	-	690170-1	SPRING, COMPRESSION	-	39
-	1	1	1	1	-	462426-1	DISC, SPRING	-	38
-	1	1	1	1	-	462425-1	WIRE DISC	-	37
-	8	8	8	8	-	2-22280-5	SPRING, COMPRESSION	-	36
-	1	1	1	1	-	690212-1	POST, RAM	-	35
-	-	1	-	1	-	808835-1	PLATE, BASE	-	34
-	1	-	1	-	-	455675-3	PLATE, BASE	-	33
-	1	1	1	1	-	690432-3	ADJUSTMENT SCREW	-	32
-	1	1	1	1	-	22480-5	WASHER, WAVE SPRING	-	31
-	1	1	1	1	-	455689-1	BLOCK, STRIP GUIDE ADJUST	-	30
-	1	1	1	1	-	684045-2	PLATE, STRIP GUIDE	-	29
-	2	2	2	2	-	22281-9	SPRING, COMPRESSION	-	27
-	1	1	1	1	-	240793-4	LEVER, DRAG RELEASE	-	26
-	1	1	1	1	-	240792-6	DRAG, TERMINAL	-	25
-	1	1	1	1	-	690438-1	FRONT STRIP GUIDE	-	24
-	1	1	1	1	-	684042-3	GUIDE, STRIP, FRONT	-	23
-	2	2	2	2	-	5-22278-1	SPRING, COMPRESSION	-	21
-	1	1	1	1	-	690472-2	STRIPPER	-	19
-	1	1	1	1	-	463460-3	HOLD DOWN, TERMINAL	-	18
-	-	1	-	1	-	803925-1	GUIDE, CARRIER SCRAP	-	16
-	-	1	-	1	-	803926-1	PLATE, REAR SHEAR	1	15
-	-	1	-	1	-	467590-2	HOLDER, SHEAR, REAR	-	14
-	1	1	1	1	-	469542-3	REAR FLOATING SHEAR	1	13
-	1	1	1	1	-	5-22280-0	SPRING, COMPRESSION	-	12
-	1	1	1	1	-	1-690461-1	STOP, SHEAR	-	11
-	-	1	-	1	-	462843-4	TERMINAL SUPPORT	-	10
-	1	-	1	-	-	462433-4	SUPPORT, INSULATION	-	9
1	1	1	1	1	-	464291-3	ANVIL, SAND-BLASTED 22-18	1	8
-	1	1	1	1	-	240641-6	SPACER	-	7
-	1	1	1	1	-	690468-6	DEPRESSOR SHEAR, REAR	-	6
-	-	1	-	1	-	462431-5	WIRE FUNNEL	1	5
-	1	1	1	1	-	238009-3	BLOCK, FL CRIMPER SPACER	-	4
1	1	1	1	1	-	462432-6	STABILIZER	1	3
-	1	1	1	1	-	462842-1	SPACER	-	2
1	1	1	1	1	-	464290-3	CRIMPER, SEMI-FLAT 22-18	1	1
-77	-4	-3	-2	-1	U/M	PART NO	DESCRIPTION	ITEM NO	

LOC		DIST		REVISIONS			
A	66	P	LTR	DESCRIPTION	DATE	DRW	APVD
		-	-	SEE SHEET 1	-	-	-



DIMENSIONS:		TOLERANCES UNLESS OTHERWISE SPECIFIED:		DWN: B. WEAVER 24JAN2007		tyco Tyco Electronics	
IN		0 PLC ±		ENR: T. ELBIN 24JAN2007		Harrisburg, PA 17105-3608	
		1 PLC ±		APVD: T. ELBIN 24JAN2007		NAME: SIDE FEED HDM APPLICATOR	
		2 PLC ±		PRODUCT SPEC:		-	
		3 PLC ±		APPLICATION SPEC:		-	
		4 PLC ±		WEIGHT:		-	
MATERIAL:		FINISH:		CUSTOMER DRAWING:		SCALE: 3:4 SHEET 2 OF 2 REV R	

CUSTOMER VIEWABLE ASSEMBLY