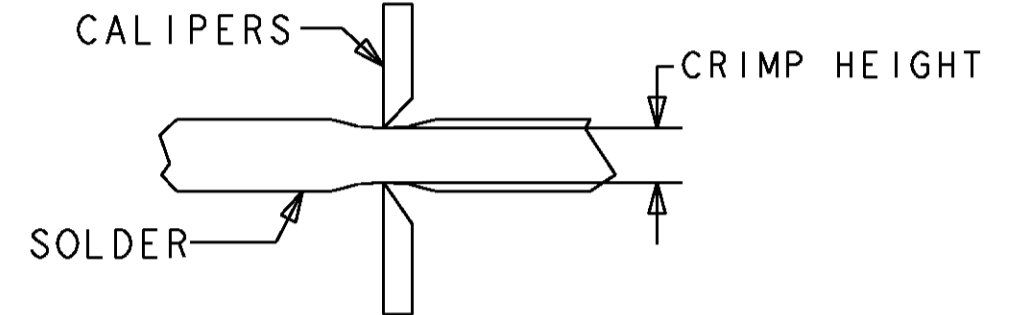


PART NUMBER	REV	FIRST USED	POWER UNIT	FEED TYPE
567041-1	M	854400-1	LEADMAKER	AIRFEED
567041-2	N	565435-5	BENCH MODEL K	AIRFEED
567041-3	M	843083-1	LEADMAKER	DOUBLE ACTING AIRFEED
567041-4	M	354500-1	BENCH MODEL G	AIRFEED
7-567041-7	L	-	SPARE TOOLING KIT	-

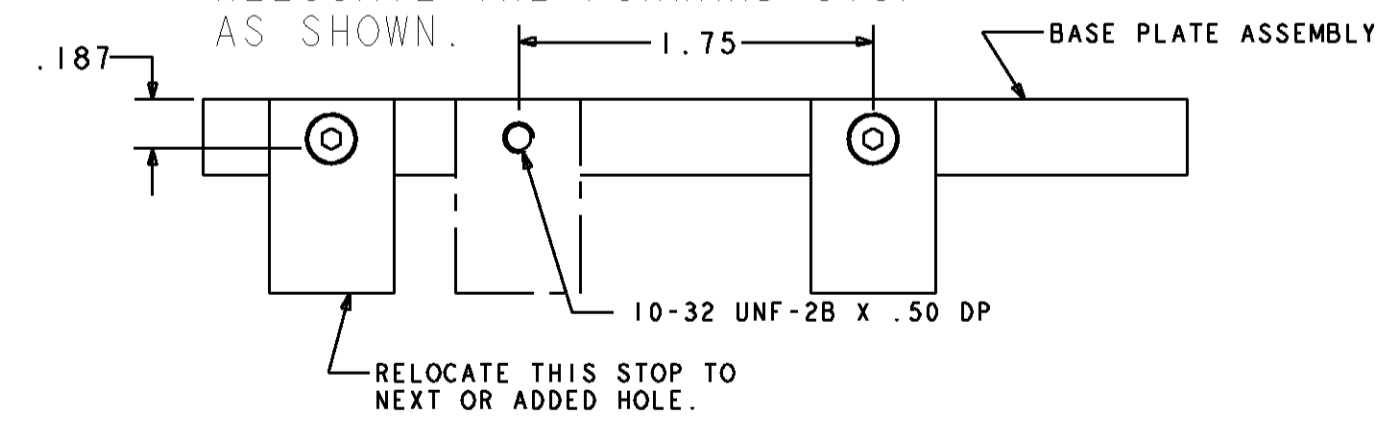
GROUP I	GROUP II	AMP TERMINAL - AMP CRIMP SPECS			
520080	520306				
520083	520308	P40 LTR	CRIMP HEIGHT	WIRE SIZE	Ø SOLDER
520137	520310	A	.070±.002	18	Ø.125
520272	-	B	.065±.002	20 OR 22	Ø.125
-	-	C	-	-	-
-	-	D	-	-	-
-	-	CRIMP	SIZE	TYPE	RANGE
-	-	WIRE	.176	D	22-18
-	-	INSUL	-	-	13

LOC	DIST	REVISIONS			
A	66	P LTR	DESCRIPTION	DATE	BY
		NI	ECR-07-004071	21FEB2007	EW

- 1 RECOMMENDED SPARE PARTS.
- 2 GREASE LIGHTLY.
- 3 GUARD MUST BE IN PLACE WHEN OPERATING APPLICATOR IN A BENCH MACHINE.
- 4 SEE DRAWING FOR COMPONENTS.
- 5 TO CHECK CRIMP HEIGHT, CRIMP SOLDER (Ø.12 60/40 SOLID CORE) AND MEASURE AT CENTER OF SLUG.



- 6 CUT TO LENGTH AT ASSEMBLY.
- 7 ITEM 16 MUST BE REMOVED IF APPLICATOR IS REMOVED FROM LEADMAKER AND PLACED IN AMP-O-LECTRIC* TERMINATING UNIT.
- 8 ITEM 76 REQUIRED WHEN APPLICATOR IS REMOVED FROM LEADMAKER AND PLACED IN AMP-O-LECTRIC* TERMINATING UNIT.
- 9 INSTALL ITEM 75 IN CHIP RELIEF HOLE OF T-TERMINATOR UNIT BEFORE INSTALLING APPLICATOR.
- 10 REMOVE WIRE FUNNEL WHEN USING THIS APPLICATOR ON AMPOMATOR* FEED SIDE T-TERMINATOR UNIT.
- 11 IT MAY BE NECESSARY TO MODIFY THE T-TERMINATING UNIT'S BASE PLATE BEFORE INSTALLING THIS APPLICATOR BY ADDING A 10-32 HOLE TO RELOCATE THE FORWARD STOP AS SHOWN.



- 12 FEED ADJUSTMENT MAY BE REQUIRED WHEN SWITCHING TERMINALS
- 13 GROUP I: Ø.120 MAX INSULATION
GROUP II: Ø.200 MAX INSULATION.
- 14 USE ITEMS 5 & 9 WITH GROUP I.
USE ITEMS 10 & 20 WITH GROUP II.
- 15 AMPOMATOR* MODEL 48.
- 16 LEADMAKER LM40 OR CS55.
- 17 USE ITEM 46 WITH GROUP I.
USE ITEM 47 WITH GROUP II.
- 18 ITEMS 75 AND 77 MUST BE INSTALLED IN THE G-TERMINATING UNIT CHIP RELIEF HOLE BEFORE INSTALLING THE APPLICATOR.
- 19 ITEM NOT SHOWN.

-	1	1	1	1	-	4-21028-0	PIN, SLOTTED SPRING .094 X .750	121
-	3	3	3	3	-	21024-5	WASHER, SPRG LOCK, REG NO 10	117
-	4	4	4	4	-	21024-2	WASHER, SPRG LOCK, REG NO 4	114
-	1	1	1	1	-	21024-8	WASHER, SPRG LOCK, REG 3/8	112
-	4	4	4	4	-	21024-4	WASHER, SPRG LOCK, REG NO 8	111
-	1	1	1	1	-	22353-8	SCR, SHLD, SLOT HD, 3/16 DIA	105
-	1	1	1	1	-	21009-2	SCR, SET, SELF LOCKING 1/4-20 X .250	103
-	2	2	2	2	-	21017-2	SCREW, DRIVE	102
-	1	1	1	1	-	461264-1	PLATE, IDENTIFICATION	100
-	2	2	2	2	-	5-21006-6	SCR, SET, CUP POINT 10-32 X .750	99
-	1	1	1	1	-	22733-8	SCR, BHSC, SELF-LOCKING, 8-32 X .375	98
-	REF	REF	REF	REF	-	2-21002-9	SCR, BTN SKT HD CAP 10-32 X .750	97
-	REF	REF	REF	REF	-	2-22733-8	SCR, BHSC, SELF-LOCKING, 1/4-20 X .625	96
-	1	1	1	1	-	2-21002-7	SCR, BTN SKT HD CAP 10-32 X .500	95
-	4	4	4	4	-	2-21002-2	SCR, BTN SKT HD CAP 8-32 X .500	94
-	-	2	-	2	-	1-21002-7	SCR, BTN SKT HD CAP 6-32 X .375	92
-	2	2	2	2	-	1-21002-3	SCR, BTN SKT HD CAP 4-40 X .250	91
-	2	2	2	2	-	2-21000-9	SCR, SKT HD CAP 8-32 X .750	87
-	1	1	1	1	-	2-22603-1	SCREW, MACH, HEX HD, 8-32 X .375	86
-	4	6	4	6	-	1-21000-4	SCR, SKT HD CAP 4-40 X .375	85
-	1	1	1	1	-	2-21000-7	SCR, SKT HD CAP 8-32 X .500	84
-	1	1	1	1	-	3-21000-4	SCR, SKT HD CAP 10-32 X .375	81
-	-	1	-	1	-	1-18023-1	SCR, SHC, M4x10	80
-	-	-	1	-	-	46292-7	GUARD ASSEMBLY	79
-	REF	-	-	-	-	679532-1	INSERT, GUARD	78
-	-	1	-	1	-	189728-1	BRACKET, SPACER	77
-	REF	REF	-	REF	-	803931-1	BRACKET, HOLD DOWN	76
-	-	1	-	1	-	568681-1	SPACER, BASE PLATE	75
-	1	1	1	1	-	690603-1	SPRING ASSIST AMP-O-MATOR APPLICATOR	74
-	1	1	1	1	-	23030-1	SCR, SKT HD CAP, S-LOCK, 6-32 X .25	73
-	1	1	1	1	-	3-21001-5	SCR, SKT HD CAP 3/8-16 X 1.000	72
-	1	1	1	1	-	459610-3	MOUNT, FEED BRACKET	71
-	-	-	1	-	-	692655-5	AIR FEED VALVE ASSEMBLY	69
-	-	-	1	-	-	461065-4	AIR FEED ASSY	68
-	-	-	REF	-	-	24042-2	VALVE, SHUT-OFF	67
-	-	-	REF	-	-	692655-6	AIR FEED VALVE ASSEMBY	66
-	1	-	1	1	-	461065-1	ASSEMBLY, AIR FEED	65

-	2	2	2	2	-	3-21000-9	SCR, SKT HD CAP 10-32 X 1.000	64
-	1	2	-	1	-	985883-2	ELBOW, MALE, PNEUMATIC PUSH-TO-CONNECT/RELEASE	63
-	1	2	-	1	-	23238-1	INSERT, COUPLING	62
-	24.00	36.00	-	24.00	IN	27319-4	TUBING, POLY-FLO, NATURAL	61
-	1	-	-	1	-	22374-7	VALVE, QUICK EXHAUST	60
-	REF	REF	REF	REF	-	454220-1	CAP, RAM	59
-	REF	REF	REF	REF	-	454485-1	HOUSING, APPL CSTG	58
-	1	-	-	1	-	22304-1	NIPPLE, HEX, PIPE FITTING	57
-	1	1	1	1	-	462427-1	FINGER, FEED	56
-	1	1	1	1	-	461062-2	FEED FINGER ASSEMBLY	53
-	-	1	-	1	-	816187-2	APPLICATOR, BASIC SUBASSEMBLY	51
-	1	-	1	-	-	816187-1	APPLICATOR, BASIC SUBASSEMBLY	50
-	1	-	1	-	-	469366-2	PLATE, REAR SHEAR	49
-	1	-	1	-	-	467590-1	HOLDER, SHEAR	48
-	1	-	1	-	-	462433-3	SUPPORT, INSULATION	47
-	1	-	1	-	-	462433-5	SUPPORT, INSULATION	46
-	1	1	1	1	-	690191-1	PLUG, NYLON	45
-	1	1	1	1	-	455673-1	RAM, SIDE FEED	44
-	1	1	1	1	-	690125-1	SHIM SUB-ASSY	43
-	1	1	1	1	-	690124-1	WASHER, RAM (.115)	42
-	1	1	1	1	-	690686-2	CRIMPER, BOLT SPECIAL	41
-	1	1	1	1	-	23241-6	BALL, STEEL	40
-	1	1	1	1	-	690170-1	SPRING, COMPRESSION	39
-	1	1	1	1	-	462426-1	DISC, SPRING	38
-	1	1	1	1	-	462425-1	WIRE DISC	37
-	8	8	8	8	-	2-22280-5	SPRING, COMPRESSION	36
-	1	1	1	1	-	690212-1	POST, RAM	35
-	REF	-	REF	-	-	455675-3	PLATE, BASE	34
-	-	REF	-	REF	-	808835-1	PLATE, BASE	33
-	1	1	1	1	-	690432-3	ADJUSTMENT SCREW	32
-	1	1	1	1	-	22480-5	WASHER, WAVE SPRING	31
-	1	1	1	1	-	455689-1	BLOCK, STRIP GUIDE ADJUST	30
-	1	1	1	1	-	684045-2	PLATE, STRIP GUIDE	29
-	2	2	2	2	-	22281-9	SPRING, COMPRESSION	27
-	1	1	1	1	-	240793-4	LEVER, DRAG RELEASE	26
-	1	1	1	1	-	240792-6	DRAG, TERMINAL	25
-	1	1	1	1	-	690438-1	FRONT STRIP GUIDE	24
-	1	1	1	1	-	684042-2	GUIDE, STRIP, FRONT	23
-	2	2	2	2	-	5-22278-1	SPRING, COMPRESSION	21
-	-	1	-	1	-	462431-6	FUNNEL, WIRE	20
-	1	1	1	1	-	690472-2	STRIPPER	19
-	1	1	1	1	-	463460-2	HOLD DOWN, TERMINAL	18
-	-	1	-	1	-	803925-1	GUIDE, CARRIER SCRAP	16
-	-	1	-	1	-	803926-1	PLATE, REAR SHEAR	15
-	-	1	-	1	-	467590-2	HOLDER, SHEAR, REAR	14
-	1	1	1	1	-	469542-3	REAR FLOATING SHEAR	13
-	1	1	1	1	-	5-22280-0	SPRING, COMPRESSION	12
-	1	1	1	1	-	1-690461-1	STOP, SHEAR	11
-	-	1	-	1	-	462843-3	TERMINAL SUPPORT	10
-	-	1	-	1	-	462843-2	TERMINAL SUPPORT	9
1	1	1	1	1	-	464291-1	ANVIL, SAND-BLASTED 22-18	8
-	1	1	1	1	-	240641-9	SPACER	7
-	1	1	1	1	-	690468-6	DEPRESSOR SHEAR, REAR	6
-	-	1	-	1	-	462431-3	WIRE FUNNEL	5
-	1	1	1	1	-	238009-3	BLOCK, FL CRIMPER SPACER	4
1	1	1	1	1	-	462432-5	STABILIZER	3
-	1	1	1	1	-	462842-1	SPACER	2
1	1	1	1	1	-	464290-1	CRIMPER, SEMI-FLAT 22-18	1

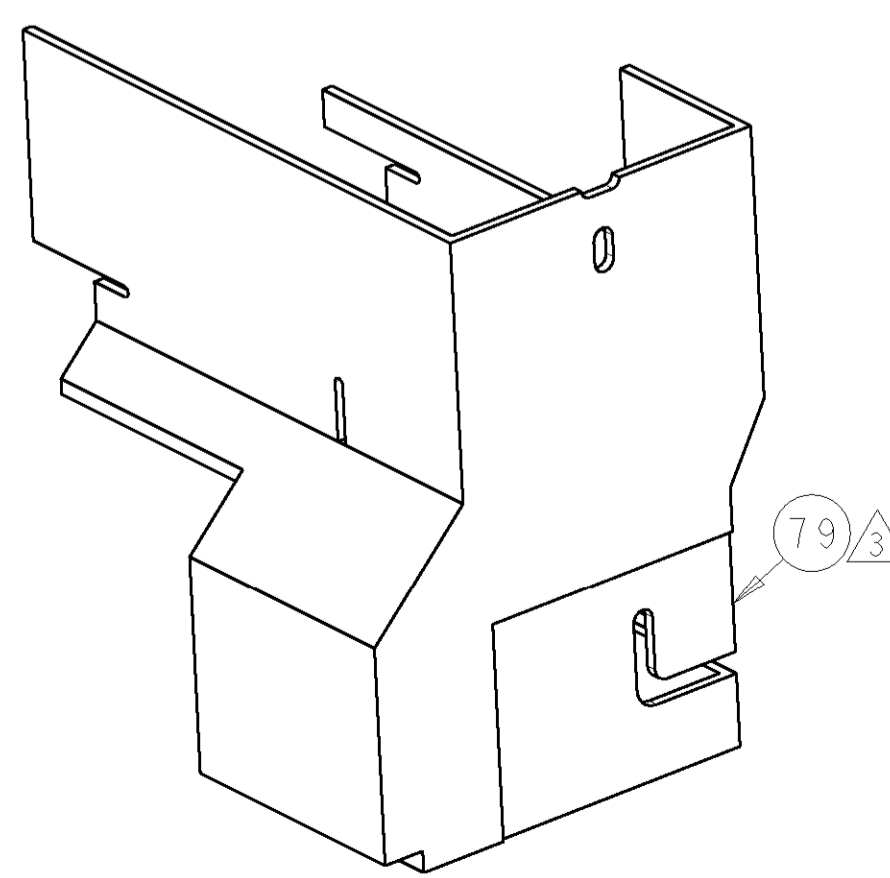
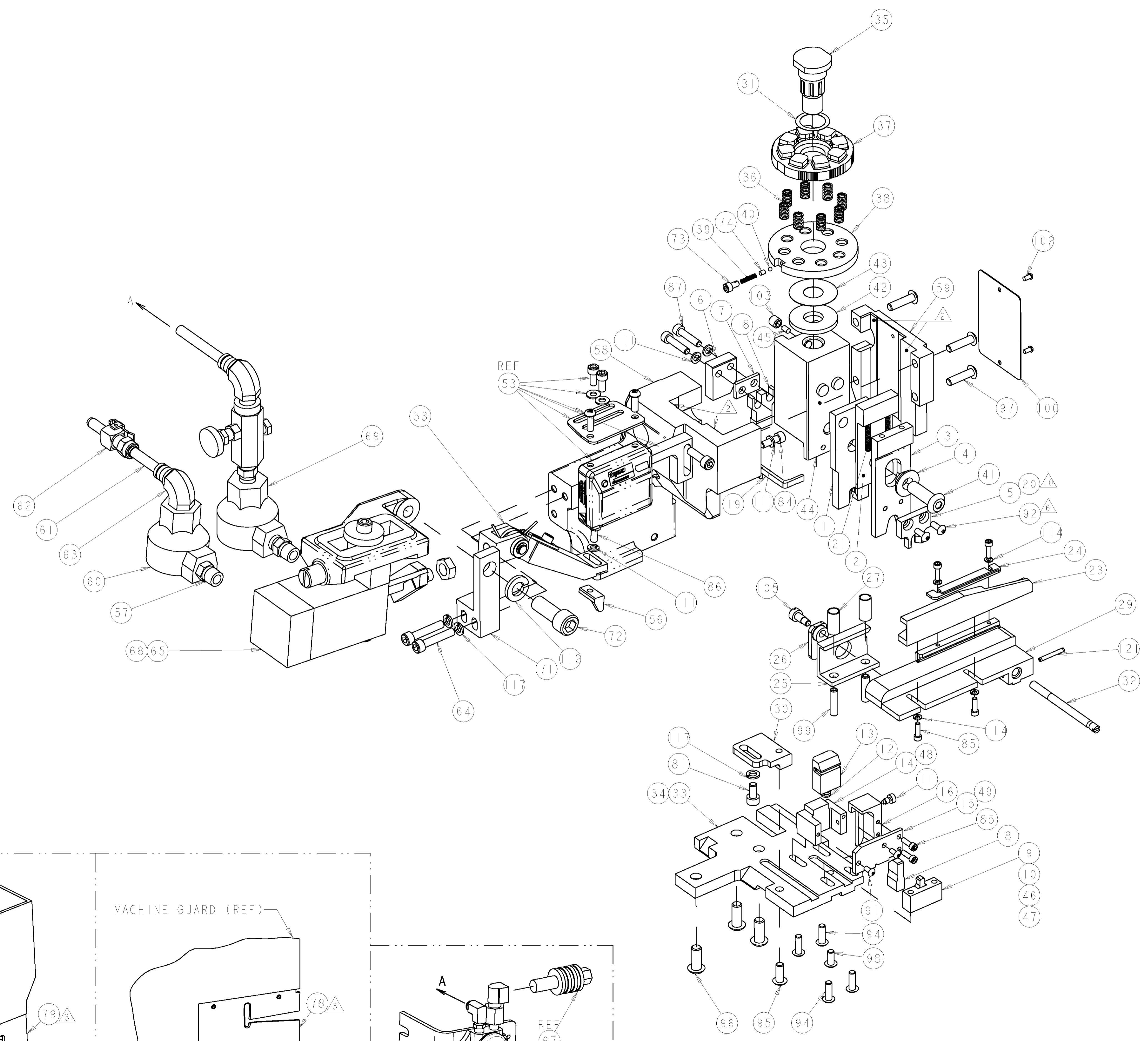
DIMENSIONS:		TOLERANCES UNLESS OTHERWISE SPECIFIED:	
IN	Ø	0 PLC	±
		1 PLC	±
		2 PLC	±
		3 PLC	±
		4 PLC	±
		ANGLES	±
MATERIAL		FINISH	

DRN	WEAVER	23JAN2007		Tyco Electronics Harrisburg, PA 17105-3608
CHK	ELBIN	23JAN2007		
APVD	ELBIN	23JAN2007	NAME	
PRODUCT SPEC			SIDE FEED HDM APPLICATOR	
APPLICATION SPEC			-	
MATERIAL			-	
WEIGHT			-	
CUSTOMER DRAWING			SCALE 1:2 SHEET 1 OF 2 REV NI	

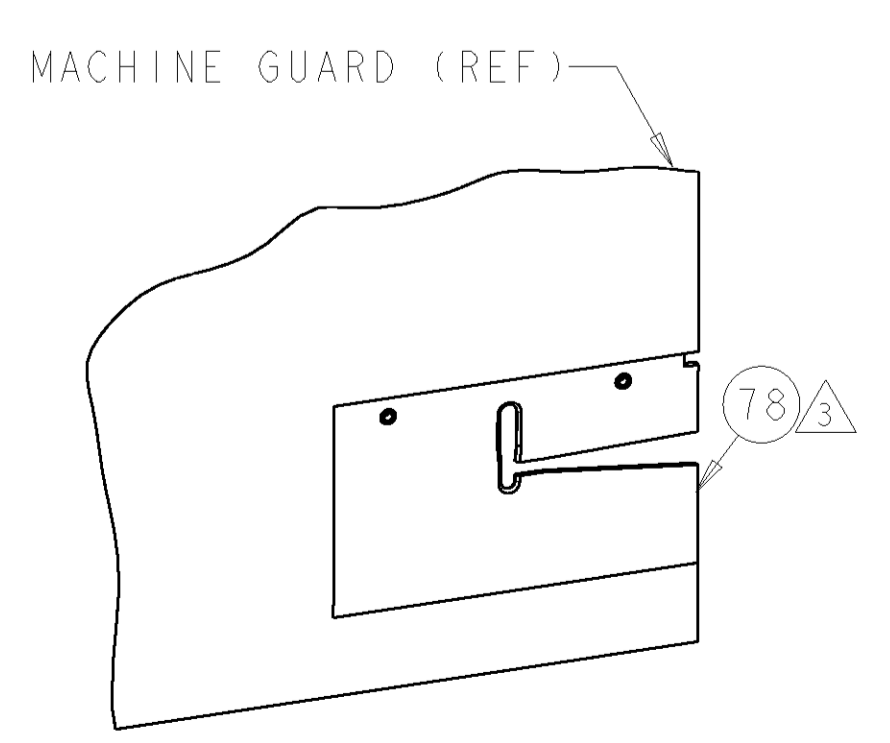
TRADEMARK - *

CUSTOMER VIEWABLE ASSEMBLY

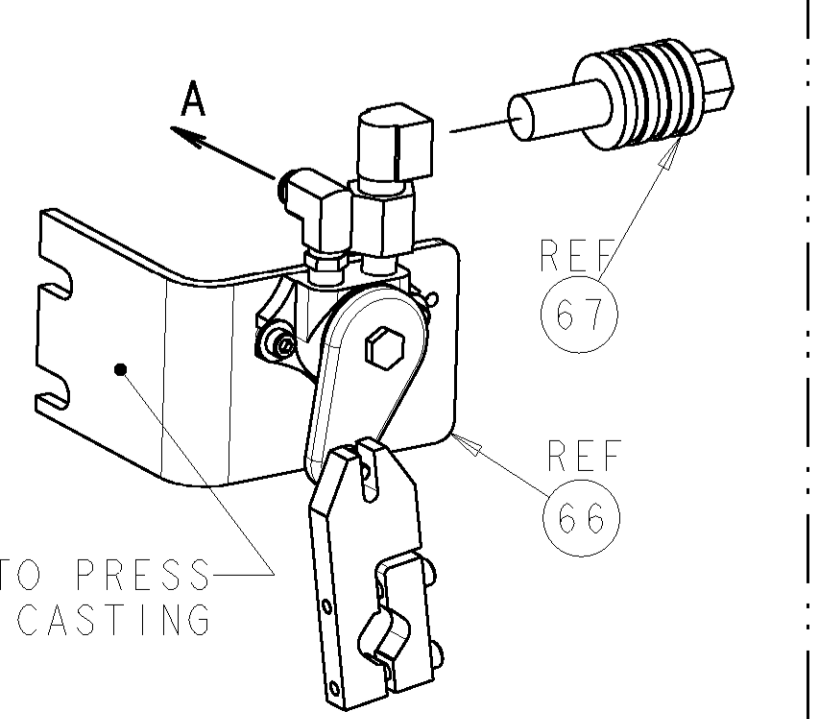
LOC		DIST		REVISIONS			
A	66	P	LTR	DESCRIPTION	DATE	DRW	APVD
		-	-	SEE SHEET 1	-	-	-



AMP-O-LECTRIC* K TERMINATOR GUARD



G TERMINATOR GUARD



TO PRESS CASTING

<small>THIS DRAWING IS UNPUBLISHED. RELEASED FOR PUBLICATION 2007. ALL RIGHTS RESERVED. THIS DRAWING IS THE PROPERTY OF TYCO ELECTRONICS CORPORATION. IT IS TO BE USED ONLY FOR THE PURPOSES AND ORGANIZATION SPECIFIED BY THE CUSTOMER. ANY OTHER USE IS STRICTLY PROHIBITED.</small>		DWN: B. WEAVER 23JAN2007 CHK: T. ELBIN 23JAN2007 APVD: T. ELBIN 23JAN2007	tyco Electronics Tyco Electronics Harrisburg, PA 17105-3608
DIMENSIONS: IN		TOLERANCES UNLESS OTHERWISE SPECIFIED: 0 PLC ± 1 PLC ± 2 PLC ± 3 PLC ± 4 PLC ± ANGLES ±	NAME: SIDE FEED HDM APPLICATOR PRODUCT SPEC: - APPLICATION SPEC: - SIZE: CAGE CODE DRAWING NO: A100779C-567041 WEIGHT: - CUSTOMER DRAWING: -
MATERIAL: - FINISH: -		SCALE: 3:4 SHEET: 2 OF 2 REV: NI	RESTRICTED TO: -