

4

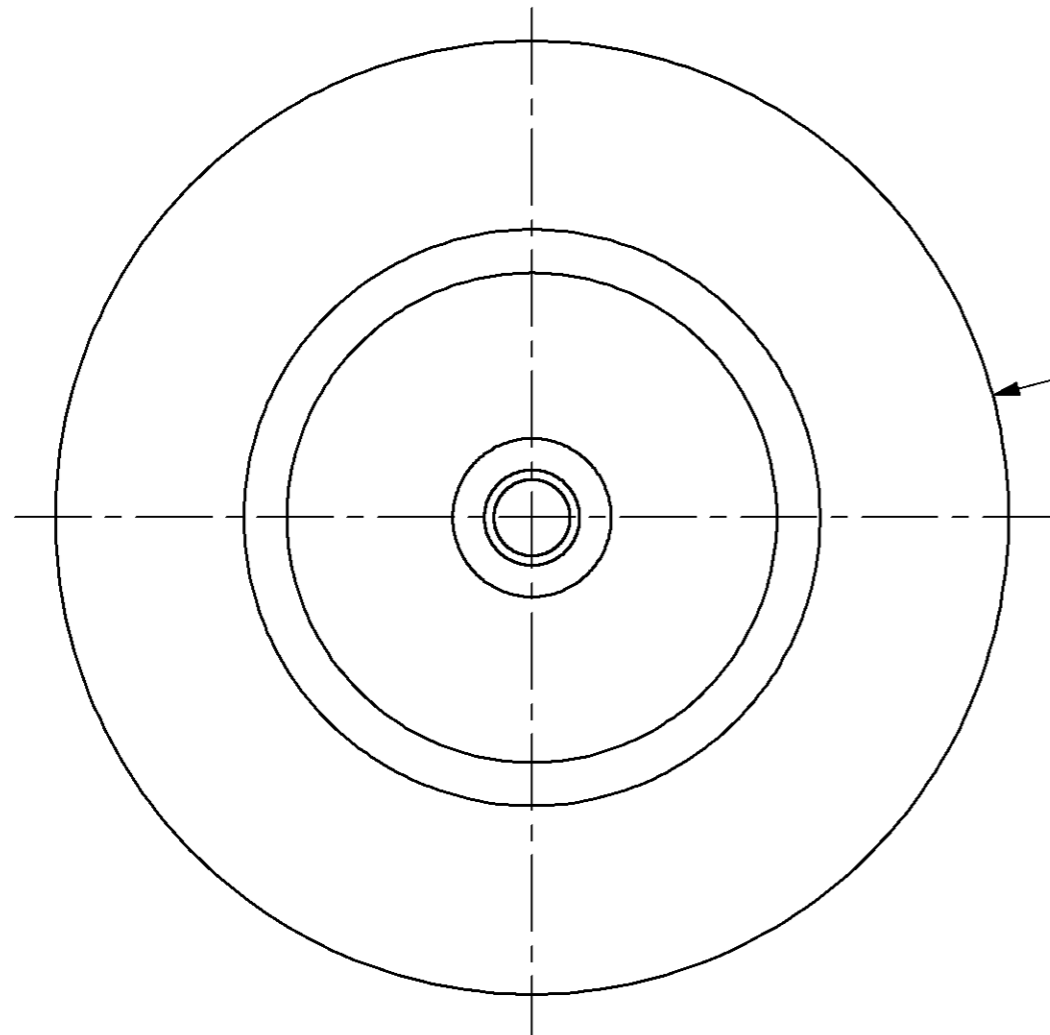
3

2

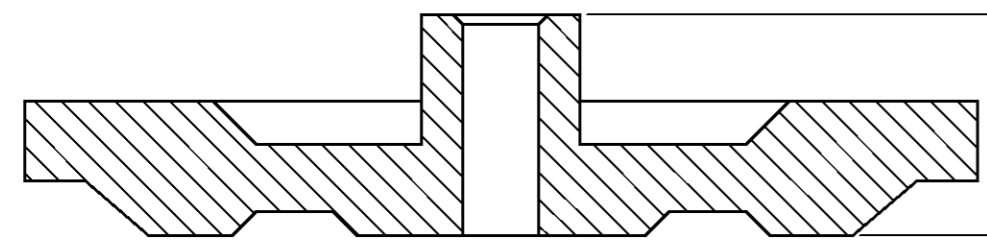
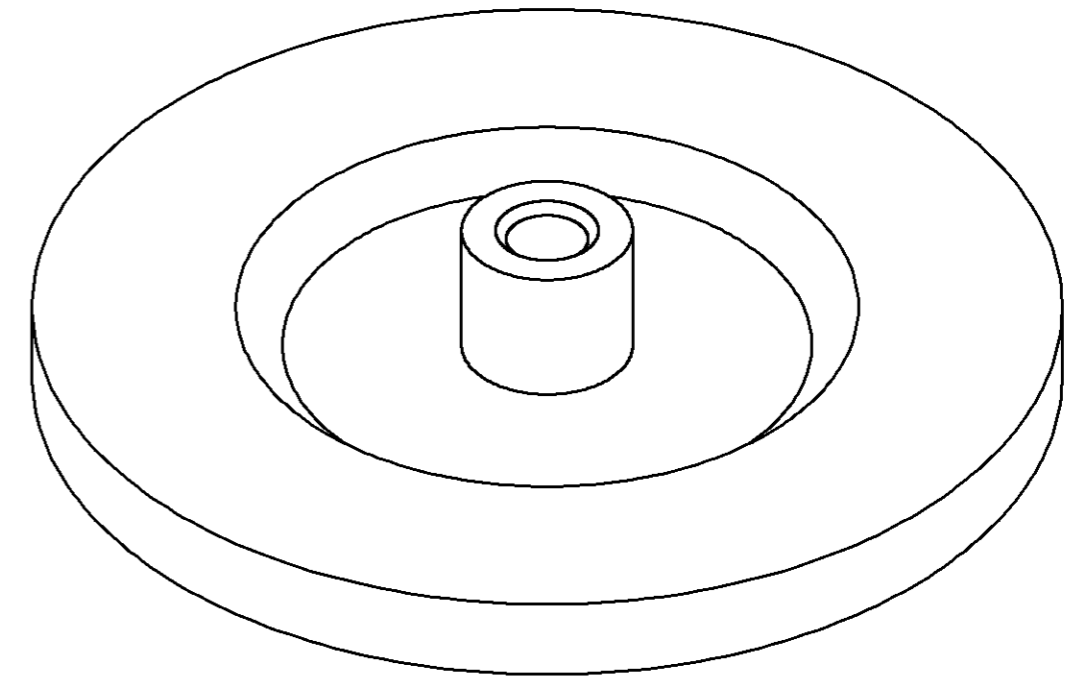
1

THIS DRAWING IS UNPUBLISHED. RELEASED FOR PUBLICATION, 19 .  
 © COPYRIGHT 19 BY AMP INCORPORATED. ALL RIGHTS RESERVED.

| LOC | DIST | REVISIONS   |                        |          |       |
|-----|------|-------------|------------------------|----------|-------|
| P   | LTR  | DESCRIPTION | DATE                   | DWN      | APVD  |
| CE  | 16   | 0           | RELEASE PER NPR 95-338 | 12-15-95 | BB BP |



∅ 25.27/25.15  
[ .995 / .990 ]



5.97/5.72  
[ .235 / .225 ]

504864-1  
PART NUMBER

|  |  |                  |           |   |
|--|--|------------------|-----------|---|
| <small>THIS DRAWING IS A CONTROLLED DOCUMENT FOR AMP INCORPORATED. IT IS SUBJECT TO CHANGE AND THE CONTROLLING ENGINEERING ORGANIZATION SHOULD BE CONTACTED FOR THE LATEST REVISION.</small> |  | DWN              | B. BRIGGS | AMP Incorporated<br>Harrisburg, PA 17105-3608 |
| DIMENSIONS:<br>mm [INCHES]   |  | CHK              | B. PARKER |   |
|  |  | APVD             | D. STAKEM | NAME  |
| TOLERANCES UNLESS OTHERWISE SPECIFIED:<br>0 PLC ±-<br>1 PLC ±-<br>2 PLC ±-<br>3 PLC ±-<br>4 PLC ±-<br>ANGLES ±-  |  | PRODUCT SPEC     | -         | POLISHING BUSHING, D4                         |
| MATERIAL<br>STAINLESS STEEL  |  | APPLICATION SPEC | -         | SIZE  |
| FINISH -   |  | WEIGHT           | -         | CAGE CODE                                     |
|  |  | CUSTOMER DRAWING |           | DRAWING NO                                    |
|  |  |                  |           | A3 00779 C-504864                             |
|  |  |                  |           | SCALE 5:1 SHEET 1 OF 1 REV 0                  |