

THIS DRAWING IS UNPUBLISHED. RELEASED FOR PUBLICATION .19
 © COPYRIGHT 19 BY AMP INCORPORATED. ALL RIGHTS RESERVED.

LOC	DIST	REVISIONS					
		P	LTR	DESCRIPTION	DATE	DWN	APVD
EH			O	ORIGINAL DRAWING	16DEC91	LC	FA
			K	REV ECN 0A00-0083-98	10JUN98	MKB	VJD
			L	REV PER ECN 0A60-0019-99	18FEB99	LDS	VJD

1 OPTICAL FIBER SPECIFICATIONS:

PART NUMBER	FIBER TYPE	ATTENUATION dB/km			BANDWIDTH MHz-Km		FIBER SIZE PRINTING 1	
			850nm	1300nm	1550nm	850nm		1300nm
502993-1	62.5/125	MAXIMUM	3.5	1.0	n/a	160	500	62.5/125
		TYPICAL	2.9	0.9	n/a			
502993-2	50/125	MAXIMUM	3.5	1.5	n/a	500	500	50/125
		TYPICAL	2.6	1.1	n/a			
502993-3	100/140	MAXIMUM	5.0	3.0	n/a	100	100	100/140
		TYPICAL	4.5	2.5	n/a			
502993-4	SINGLEMODE	MAXIMUM	n/a	0.7	0.7	n/a	n/a	SM
		TYPICAL	n/a	0.5	0.5			
502993-6	SINGLEMODE SMF-28	MAXIMUM	n/a	0.7	0.7	n/a	n/a	SMF-28 10
		TYPICAL	n/a	0.5	0.5			

2 TIGHT BUFFER
 BUFFER COLORS: BLUE, ORANGE, GREEN, BROWN, SLATE, AND WHITE PER EIA-359-A.

3 CONSTRUCTION:

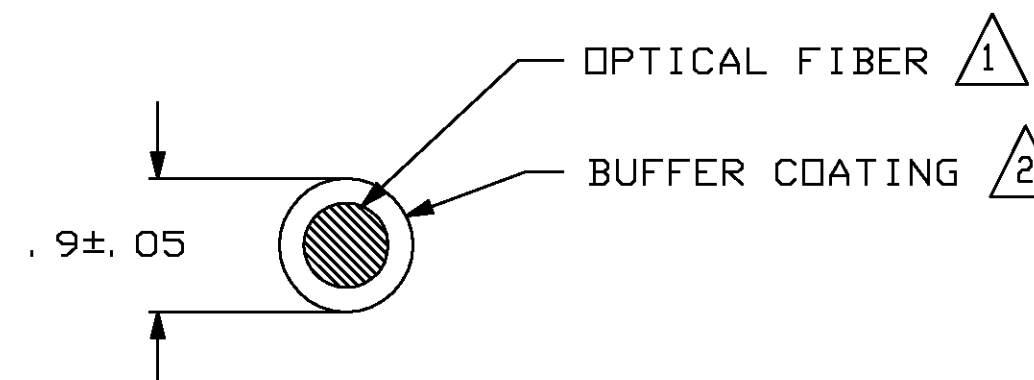
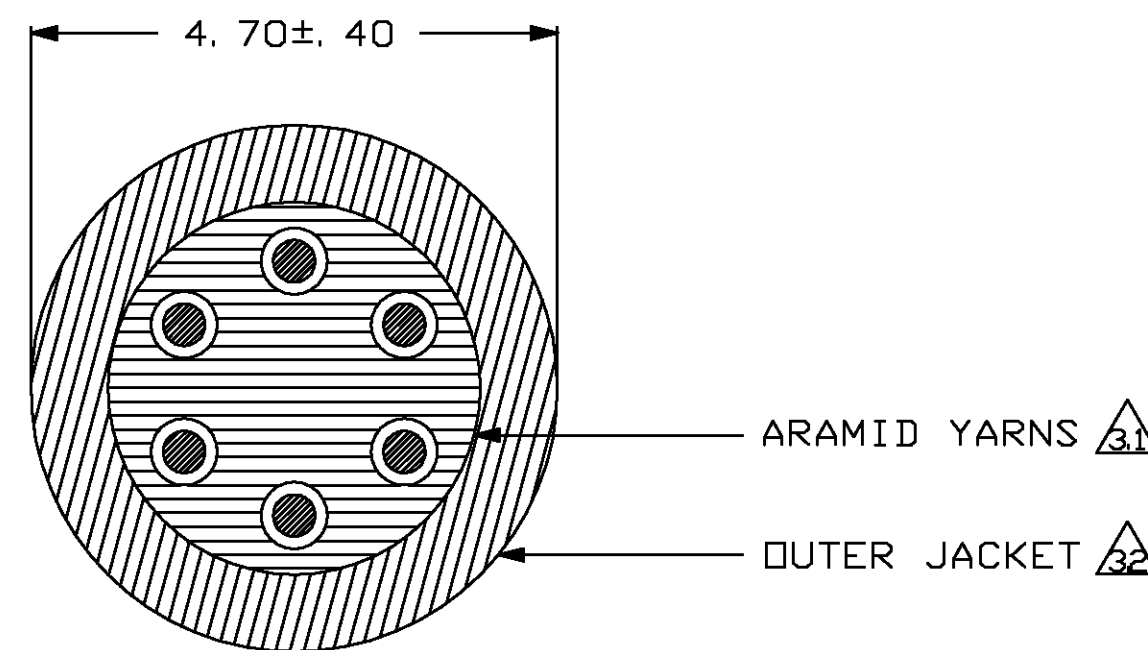
- 3.1 ARAMID YARN STRENGTH MEMBERS.
- 3.2 OUTER JACKET MATERIAL TO BE LOW SMOKE FLAME RETARDANT PVC COLOR TO BE ORANGE FOR MULTIMODE PER EIA-359-A. COLOR TO BE YELLOW FOR SINGLEMODE PER EIA-359-A.

4. CABLE RATINGS: RATINGS MEET OR EXCEED THE REQUIREMENTS OF BELLCORE GR-409-CORE.

- A. STORAGE TEMPERATURE: -40°C TO +70°C
- B. OPERATING TEMPERATURE: -20°C TO +70°C
- C. INSTALLATION TEMPERATURE: 0°C TO +50°C
- D. MAX TENSILE LOAD FOR INSTALLATION: 1514 N
- E. MAX TENSILE LOAD FOR OPERATION: 757 N
- F. MIN BEND RADIUS AT INSTALLATION LOAD: 7.0cm
- G. MIN BEND RADIUS, UNLOADED (FREE): 4.7cm
- H. CYCLIC FLEX: 500 CYCLES
- I. IMPACT RESISTANCE: 1000 CYCLES
- J. CRUSH RESISTANCE: 1000 N/cm
- K. CABLE WEIGHT: 18kg/km NOMINAL
- L. VERTICAL RISE: 2470 METERS

5. LEGEND TO BE AS SHOWN. EXAMPLE LEGEND SHOWN WITH -1 INSERT.

- 6 MM/YY - MONTH/YEAR - EXAMPLE: 2/97
- 7 XXXXX - SEQUENTIAL METER MARKING. TOLERANCE ON LENGTH MARKINGS: -0%/+1%
- 8 EXXXXXX - MANUFACTURER'S UL FILE NUMBER
- 9. BULK LENGTH TOLERANCE: +5% / -0%
SPECIAL CUT LENGTHS: +3% / -0%
- 10 CORNING SMF-28 CPC6 FIBER REQUIRED ON -6 CABLES ONLY.



AMP INCORPORATED OPTICAL FIBER CABLE 62.5/125 6 FIBER EXXXXXX TYPE OFNP (UL) c(UL) MM/YY XXXXX METERS
 LEGEND TO BE REPEATED EVERY METER IN BLACK INK.

PACKAGED LENGTH/PART NUMBER CHART	
BULK FEET	0-PART NUMBER-DASH #
1000m	1-PART NUMBER-DASH #
2000m	2-PART NUMBER-DASH #
3000m	3-PART NUMBER-DASH #
4000m	4-PART NUMBER-DASH #
BULK METERS	5-PART NUMBER-DASH #
NOT USED	6-PART NUMBER-DASH #
3,281 FT	7-PART NUMBER-DASH #
6,562 FT	8-PART NUMBER-DASH #
NOT USED	9-PART NUMBER-DASH #

SINGLEMODE SMF-28 CPC6	502993-6 10
SINGLEMODE	502993-4
100/140µm - 100/100	502993-3
50/125µm - 500/500	502993-2
62.5/125µm - 160/500	502993-1
FIBER SIZE	PART NUMBER

THIS DRAWING IS A CONTROLLED DOCUMENT.		DWN L. COLLINS 18DEC91	AMP Incorporated Harrisburg, PA 17105-3608	
DIMENSIONS: MM		CHK R. HILEMAN 16MAR92	NAME F. ANTONICELLI 16MAR92	
TOLERANCES UNLESS OTHERWISE SPECIFIED:		PRODUCT SPEC		
0 PLC ±		APPLICATION SPEC		
1 PLC ±		SIZE A2		
2 PLC ±		CAGE CODE 00779		
3 PLC ±		DRAWING NO 502993		
4 PLC ±		RESTRICTED TO		
ANGLES ±		CUSTOMER DRAWING		
FINISH		SCALE NTS		
MATERIAL		SHEET 1 OF 1		
1 2 3		REV L		