

4

3

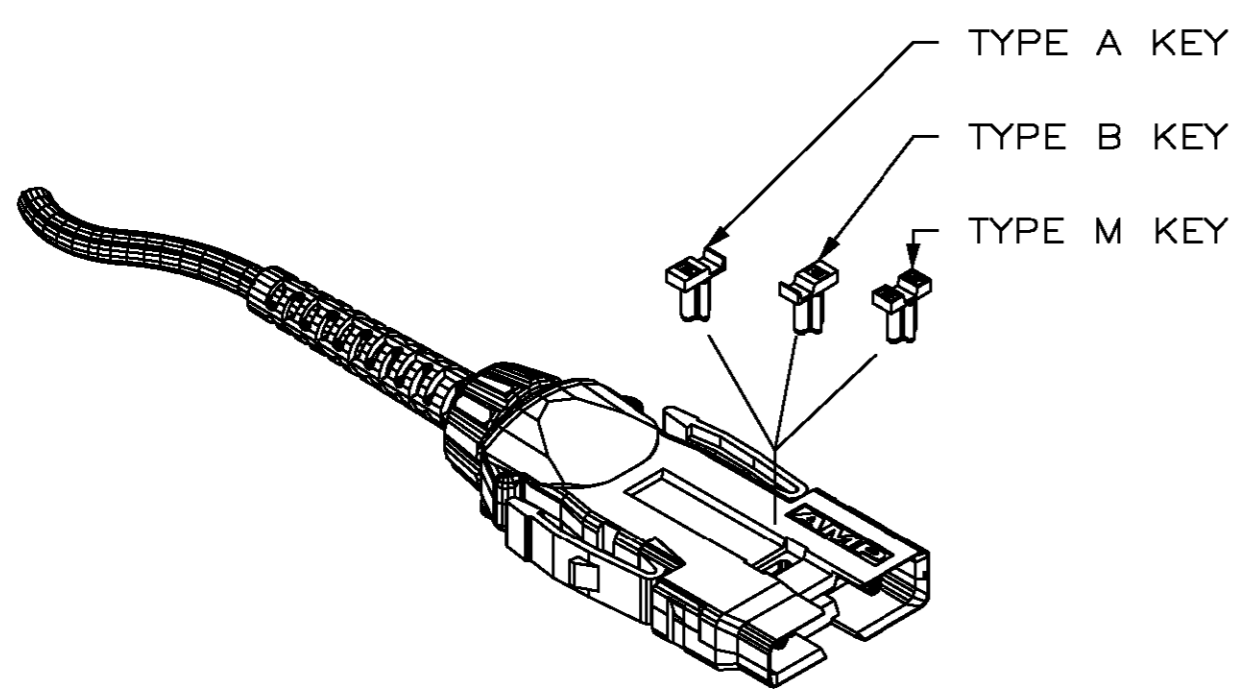
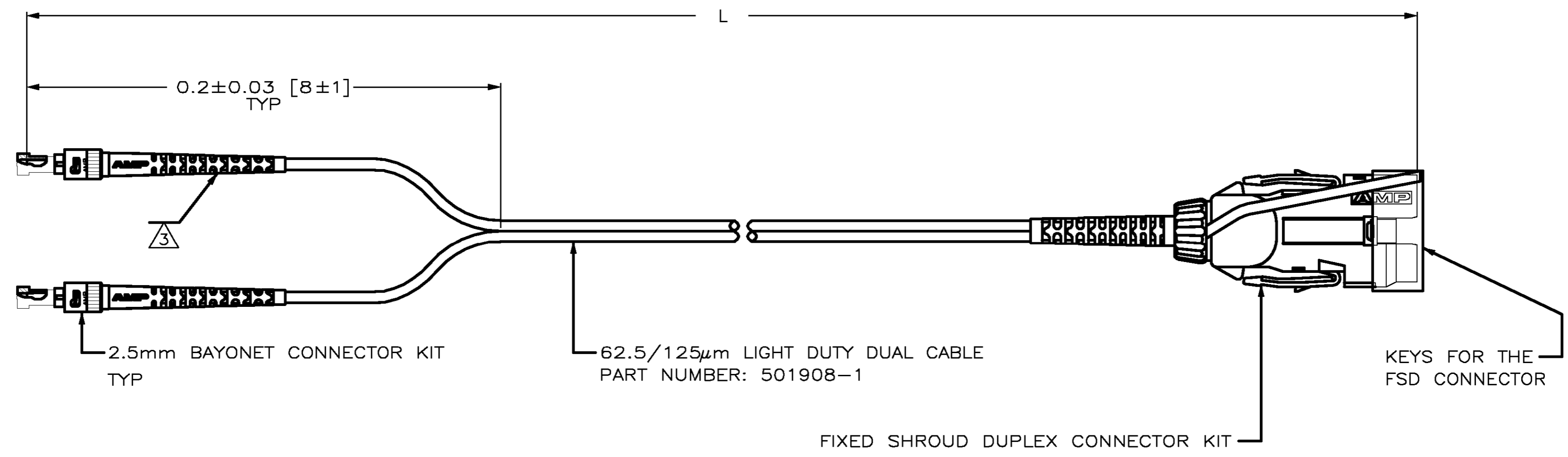
2

1

THIS DRAWING IS UNPUBLISHED. RELEASED FOR PUBLICATION
 BY TYCO ELECTRONICS CORPORATION. ALL RIGHTS RESERVED.

LOC	DIST	REVISIONS					
CE	16	P	LTR	DESCRIPTION	DATE	DWN	APVD
		N		OBSOLETE PER 0A00-0983-00	31JAN01	CK	KC

1. DIMENSIONS IN [] ARE IN INCHES.
2. FIXED SHROUD DUPLEX CONNECTOR WITHOUT KEY IS TYPE S.
3. THE BLUE STRAIN RELIEF MUST BE ON THE SAME FIBER CHANNEL AS THE FSD CONNECTOR SIDE MARKED WITH AMP.



OBSOLETE

70±0.7 [2756±28]	1-502125-4
60±0.6 [2362±24]	1-502125-3
50±0.5 [1969±20]	1-502125-2
40±0.4 [1575±16]	1-502125-1
30±0.3 [1181±12]	1-502125-0
1.5±0.05 [59±2]	502125-9
20±0.3 [787.4±12]	502125-8
15±0.15 [590±6]	502125-7
10±0.15 [394±6]	502125-6
8±0.15 [315±6]	502125-5
5±0.08 [197±3]	502125-4
3±0.05 [118±2]	502125-3
2±0.05 [79±2]	502125-2
1±0.05 [39±2]	502125-1

THIS DRAWING IS A CONTROLLED DOCUMENT.		DWN B.BARRY 21JUL88	AMP Tyco Electronics Corporation Harrisburg, PA 17105	
DIMENSIONS: MM		CHK J.ZEIDERS 25JUL88	NAME CABLE ASSEMBLY, FIBER OPTIC, 62.5/125µm DUAL, 2.5mm BAYONET TO AMP FSD, OPTIMATE	
TOLERANCES UNLESS OTHERWISE SPECIFIED:		APVD M.RUPERT 26JUL88	SIZE A2	CAGE CODE 00779
0 PLC ± -	1 PLC ± -	PRODUCT SPEC	DRAWING NO 502125	RESTRICTED TO
2 PLC ± -	3 PLC ± -	APPLICATION SPEC	SCALE NTS	SHEET 1 OF 1
4 PLC ± -	ANGLES ± -	WEIGHT	REV N	
MATERIAL	FINISH	CUSTOMER DRAWING		

502125