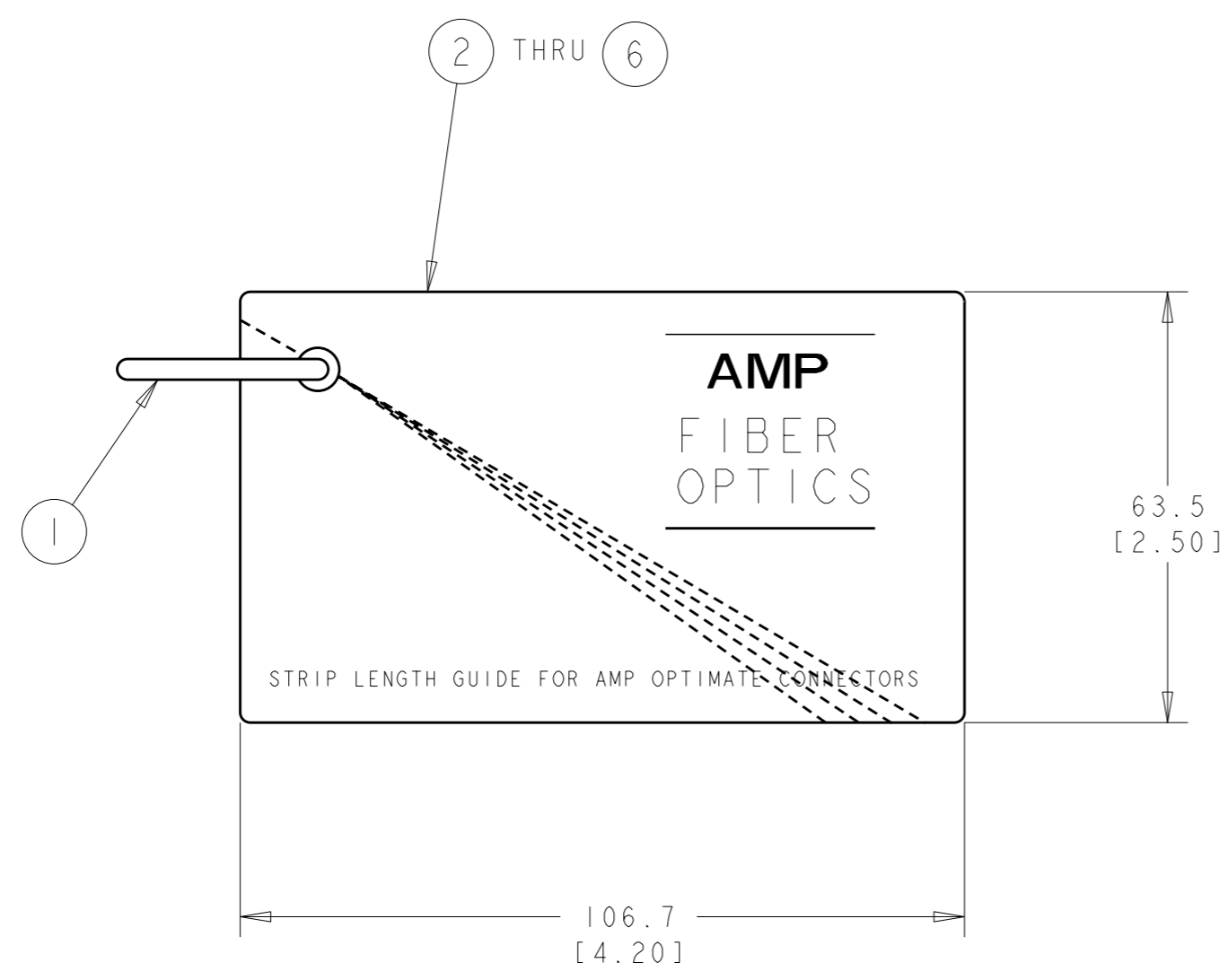


THIS DRAWING IS UNPUBLISHED. RELEASED FOR PUBLICATION 20
 © COPYRIGHT 20 BY TYCO ELECTRONICS CORPORATION. ALL RIGHTS RESERVED.

LOC	DIST	REVISIONS					
		P	LTR	DESCRIPTION	DATE	DWN	APVD
CE	00		J	REVISE PER ECR-07-016222	10OCT2007	BB	DK



1	NEXT GENERATION AMP SC POLYMER, TEMPLATE	6
1	NEXT GENERATION AMP SC AND FC, TEMPLATE	5
1	2.5mm BAYONET SST AND 3.8mm LOOSE TUBE, TEMPLATE	4
1	2.5mm BAYONET CERAMIC & POLYMER COMPOSITE, TEMPLATE	3
1	COVER CARD	2
1	BOOK RING	1
- 1	DESCRIPTION	ITEM NO.

<small>THIS DRAWING IS A CONTROLLED DOCUMENT FOR TYCO ELECTRONICS CORPORATION IT IS SUBJECT TO CHANGE AND THE CONTROLLING ENGINEERING ORGANIZATION SHOULD BE CONTACTED FOR THE LATEST REVISION.</small>		DWN B. BRIGGS 23FEB2005 CHK D. KIRSCH 23FEB2005 APVD S. BUCHTER 23FEB2005	Tyco Electronics Harrisburg, PA 17105-3608
DIMENSIONS: mm[in]	TOLERANCES UNLESS OTHERWISE SPECIFIED: 0 PLC ±- 1 PLC ±- 2 PLC ±1.5[.06] 3 PLC ±- 4 PLC ±- ANGLES ±-	PRODUCT SPEC - APPLICATION SPEC - WEIGHT -	NAME CABLE PREPARATION TEMPLATE KIT SIZE A3 CAGE CODE 300779 DRAWING NO C-501818 RESTRICTED TO -
MATERIAL -	FINISH -	CUSTOMER DRAWING	SCALE 4:1 SHEET OF REV J