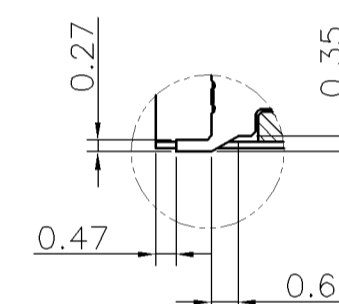
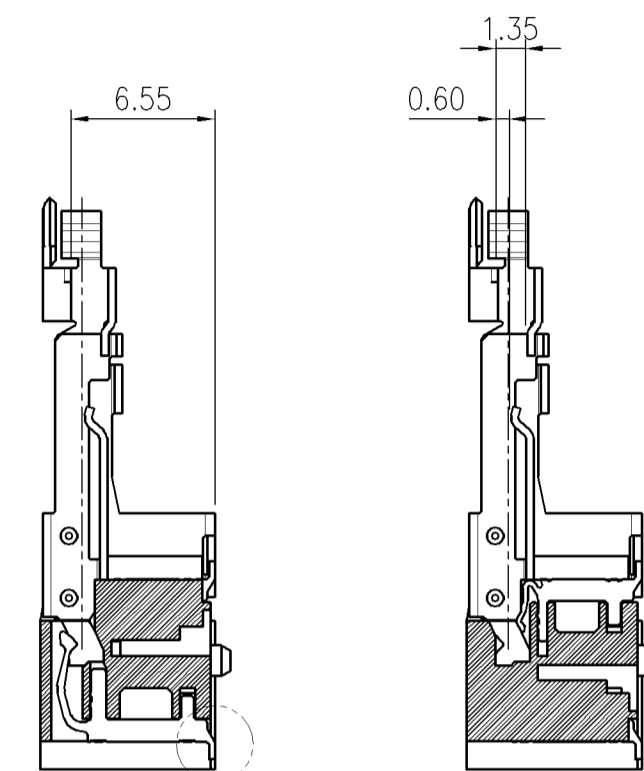
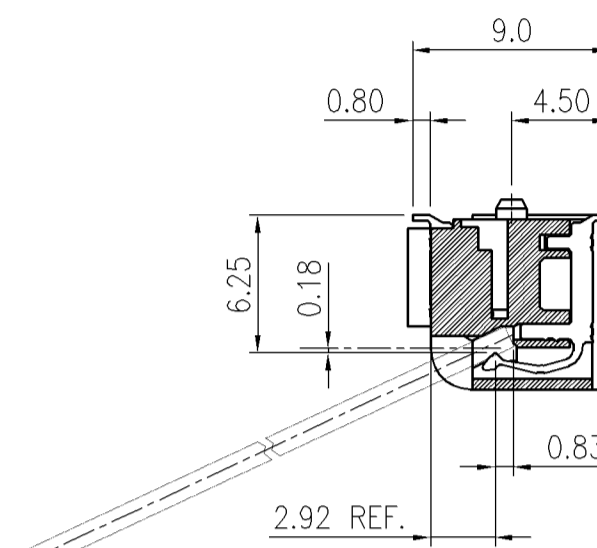
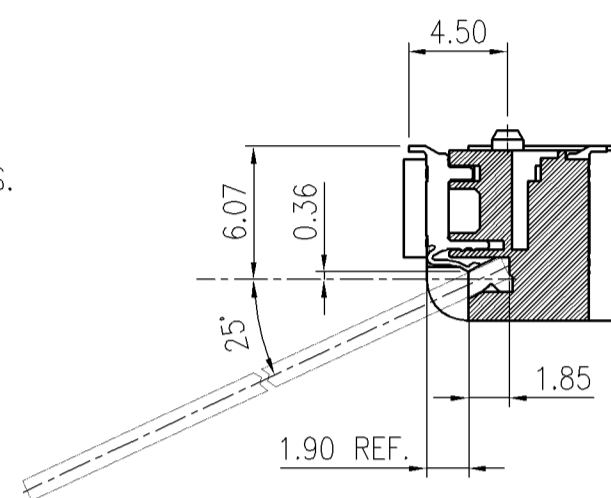
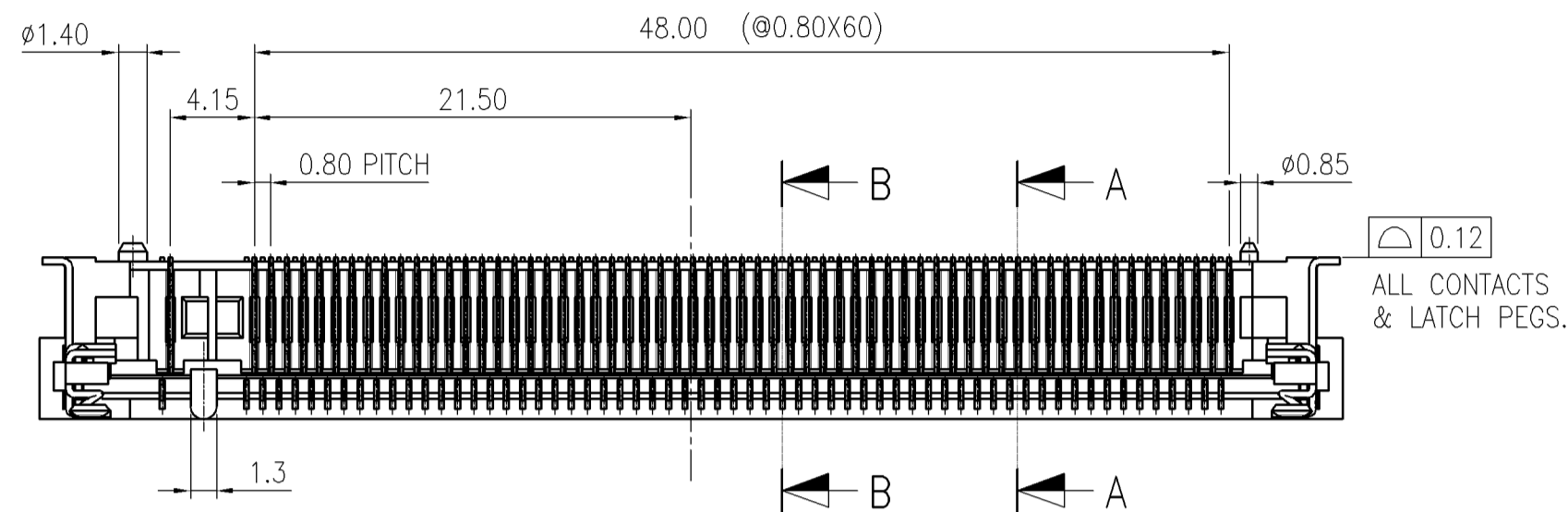


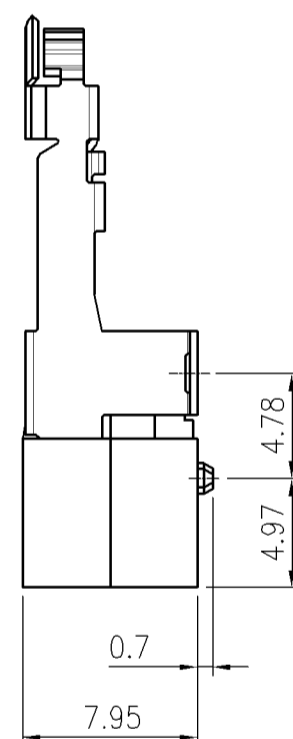
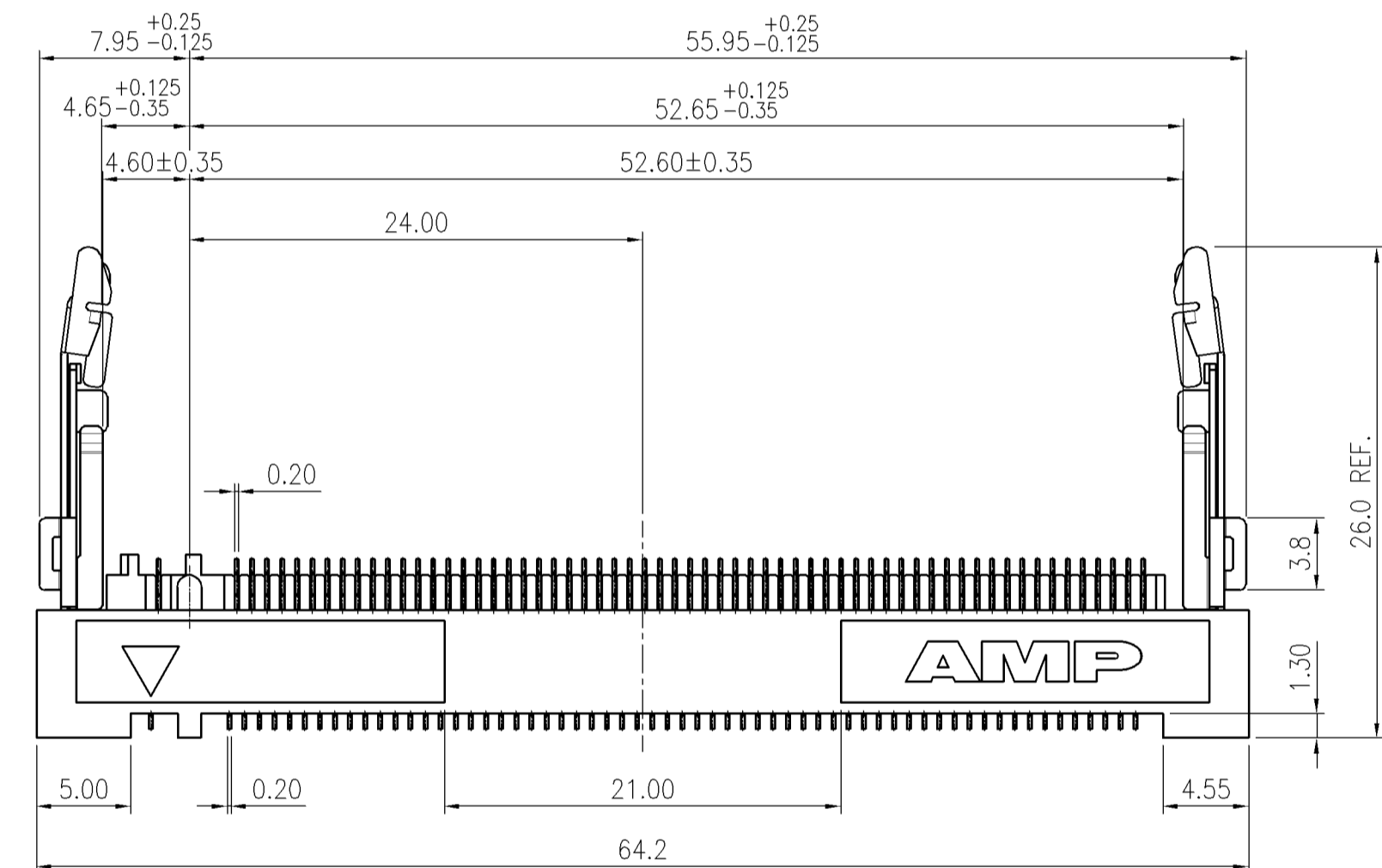
LOC DW DIST —

REVISIONS

P	LTR	DESCRIPTION	DATE	DWN	APVD
M		ECR-07-022299, REVISED	11MAR08	SH	WK

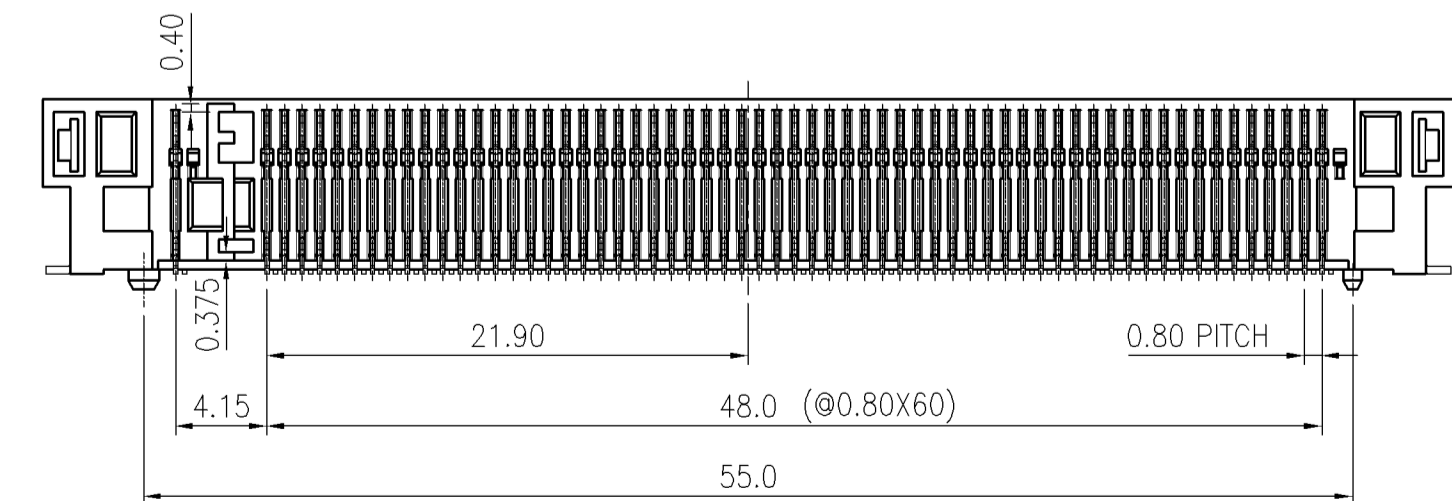


VIEW A SCALE 2:1



NOTE :

- MATERIAL  
HOUSING : THERMOPLASTIC, LCP  
UL 94V-0, BLACK COLOR  
CONTACT : COPPER ALLOY  
LATCH : STEEL
- FINISH  
CONTACT : 0.25um MIN. GOLD PLATED IN CONTACT AREA,  
GOLD FLASH PLATING ALL OVER, WITH  
1.27um MIN. NICKEL UNDERPLATING ALL OVER.  
LATCH : 2.54um MIN. MATTE TIN PLATING(SEE TABLE) OVER  
0.76um MIN. NICKEL PLATING.
- CARD THICKNESS APPLIES ACROSS TABS AND INCLUDES PLATING AND/OR METALIZATION
- APPLICATION  
GOLD CONTACT PAD : ELECTROLESS GOLD PLATING 0.05um MIN  
OVER ELECTROLESS NICKEL PLATING 2um MIN
- BORDER OF COMPONENT AREA
- WEIGHT  
NET WEIGHT : 3.45 kgs/CTN  
GROSS WEIGHT : 8 kgs/CTN



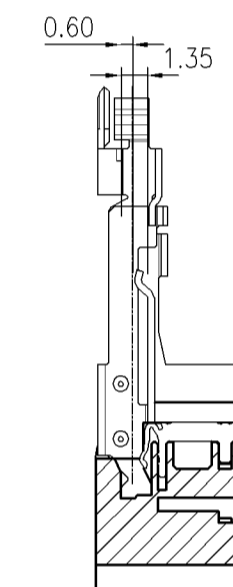
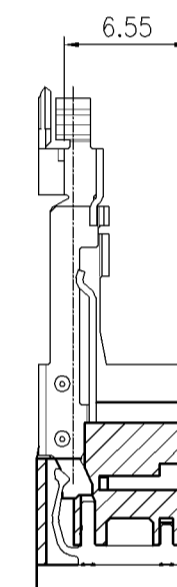
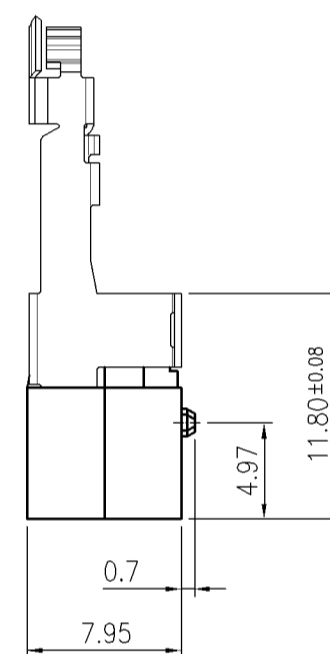
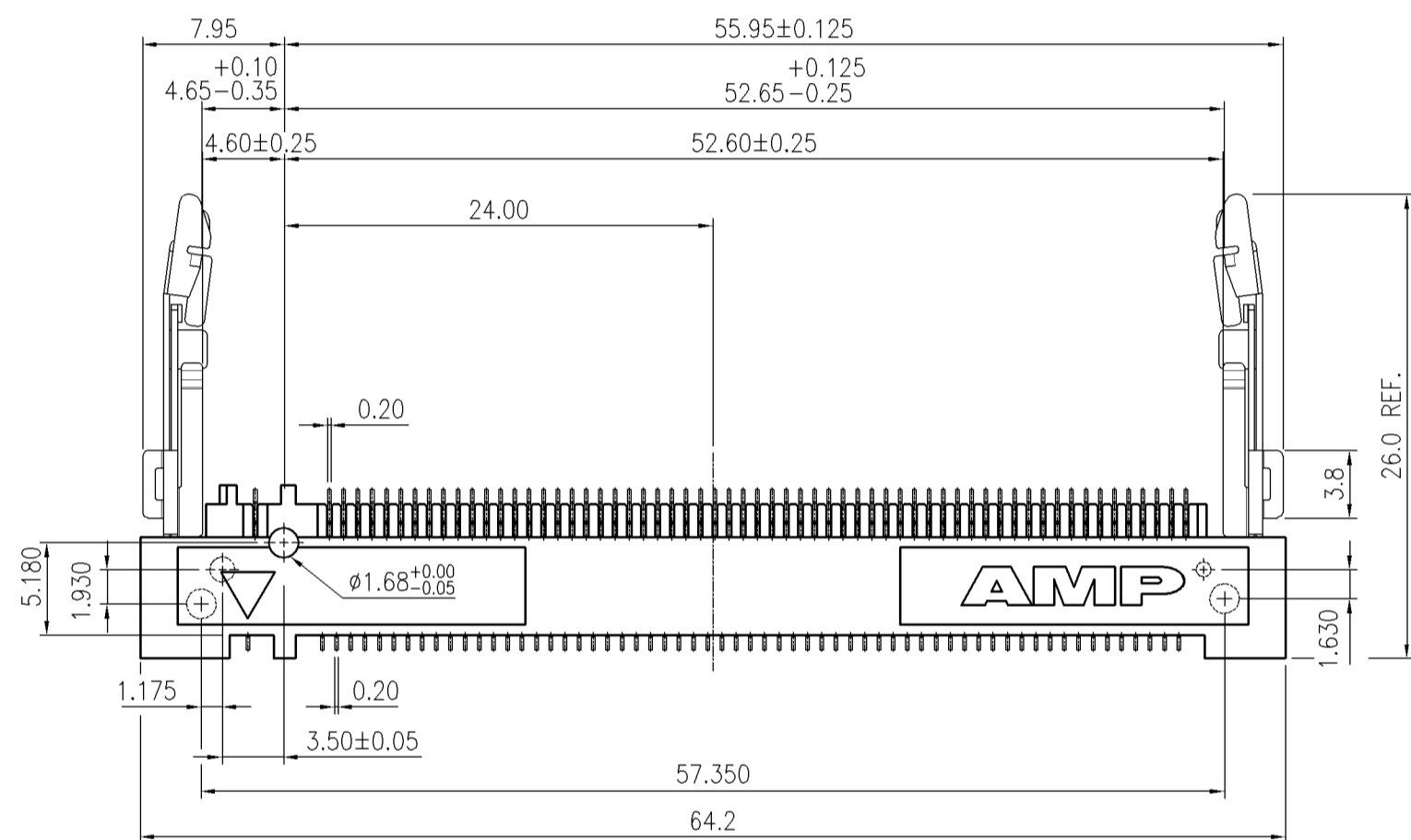
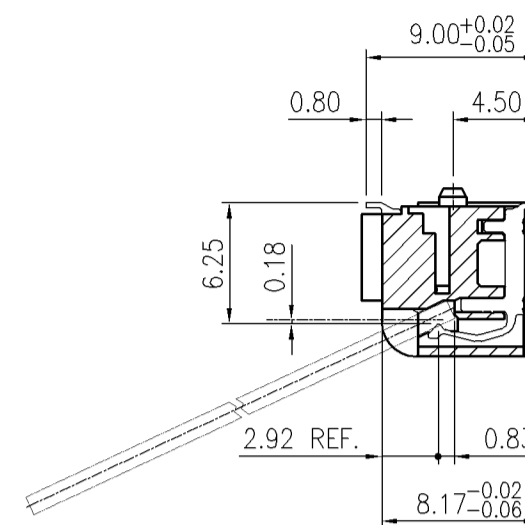
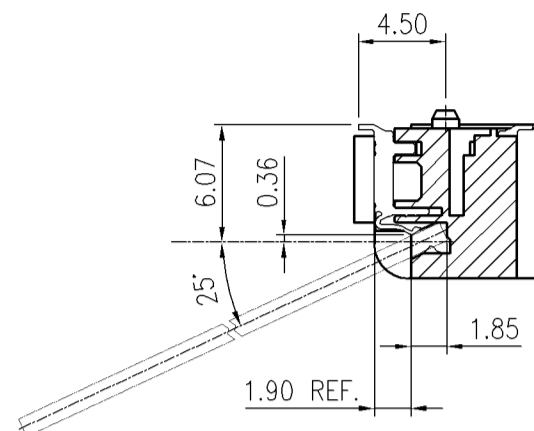
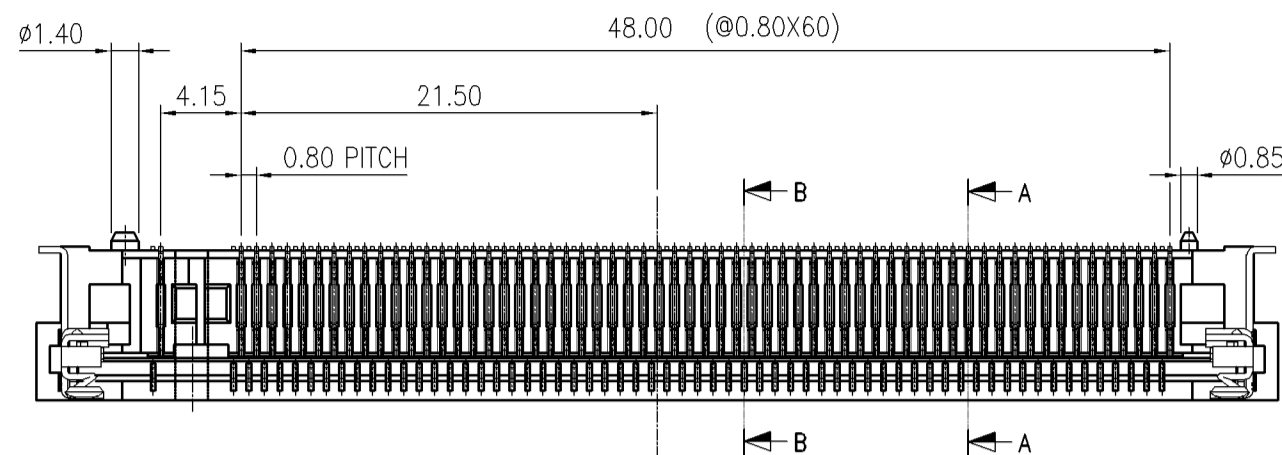
W/O	WHITE	440360-4
	TRANSPARENT	440360-2
HOLE	TRAY COLOR	PART NUMBER

THIS DRAWING IS A CONTROLLED DOCUMENT.		DWN S. HOU 11MAR2008	Tyco Electronics Corporation Taipei, Taiwan				
DIMENSIONS: MM		CHK W. KODAMA 11MAR2008				NAME	
TOLERANCES UNLESS OTHERWISE SPECIFIED:		APVD W. KODAMA 11MAR2008	0.8mm PITCH FAX MODEM SOCKET, 124 POSITIONS.				
0 PLC ± - 1 PLC ± 0.15 2 PLC ± 0.1 3 PLC ± 0.05 4 PLC ± - ANGLES ± -		PRODUCT SPEC 108-57083	QUALIFICATION TEST REPORT	SIZE	CAGE CODE	DRAWING NO	RESTRICTED TO
MATERIAL SEE NOTE		FINISH SEE NOTE	501-57035	5.75 GRAMS	A3	00779	C-440360
CUSTOMER DRAWING			SCALE	SHEET	1 OF 6	REV	M

THIS DRAWING IS UNPUBLISHED. RELEASED FOR PUBLICATION AUG ,2006.

© COPYRIGHT - BY TYCO ELECTRONICS CORPORATION. ALL RIGHTS RESERVED.

LOC	DIST	REVISIONS					
DW	-	P	LTR	DESCRIPTION	DATE	DWN	APVD
				SEE SHEET 1			



D

D

C

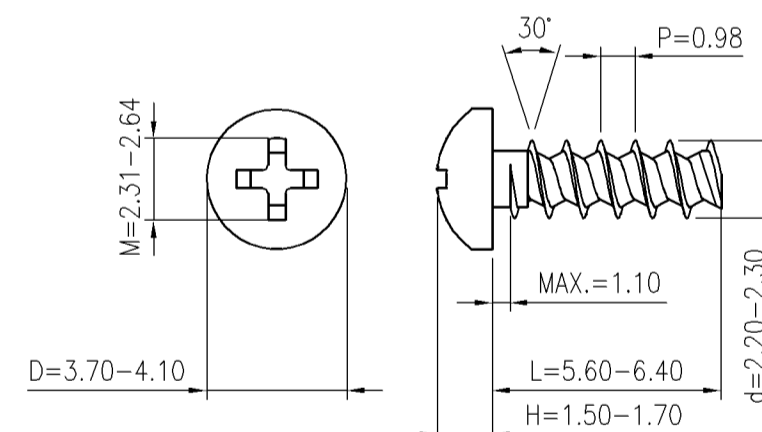
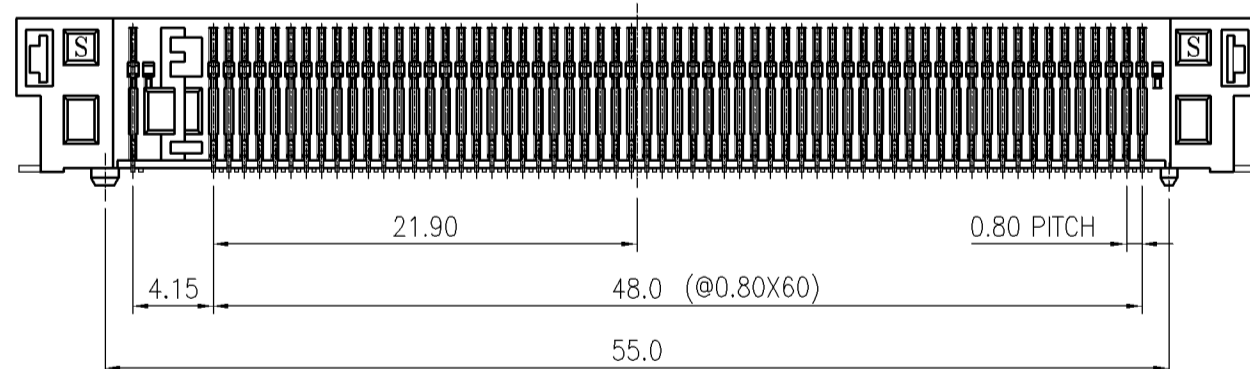
C

B

B

A

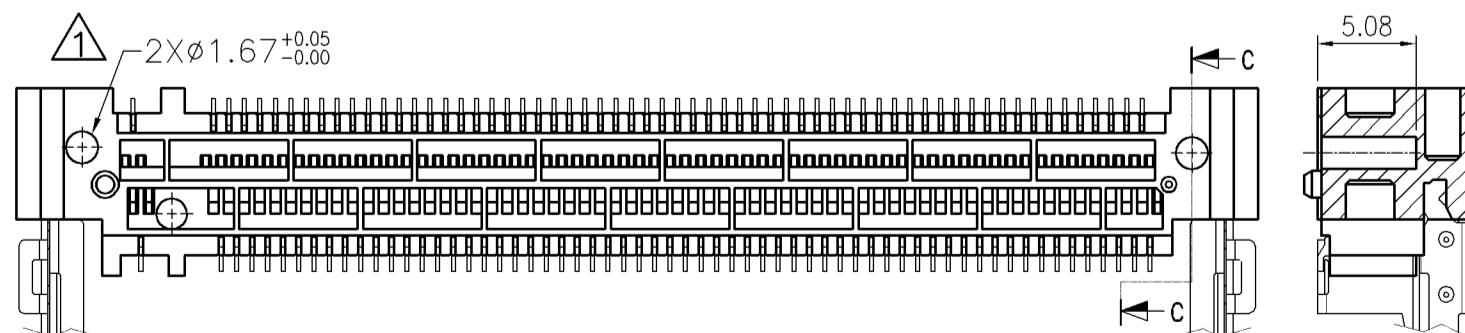
A



SCALE 4:1

M2.2X6 PT30 RECOMMENDED SCREW

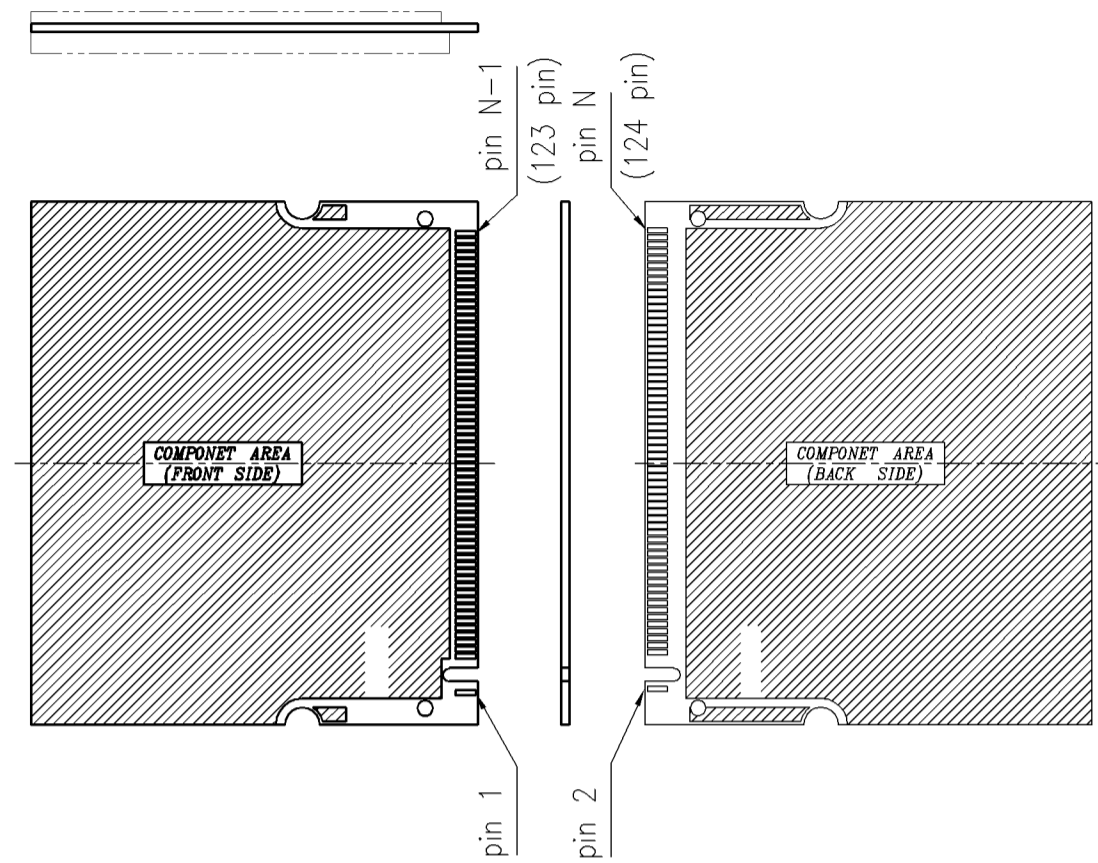
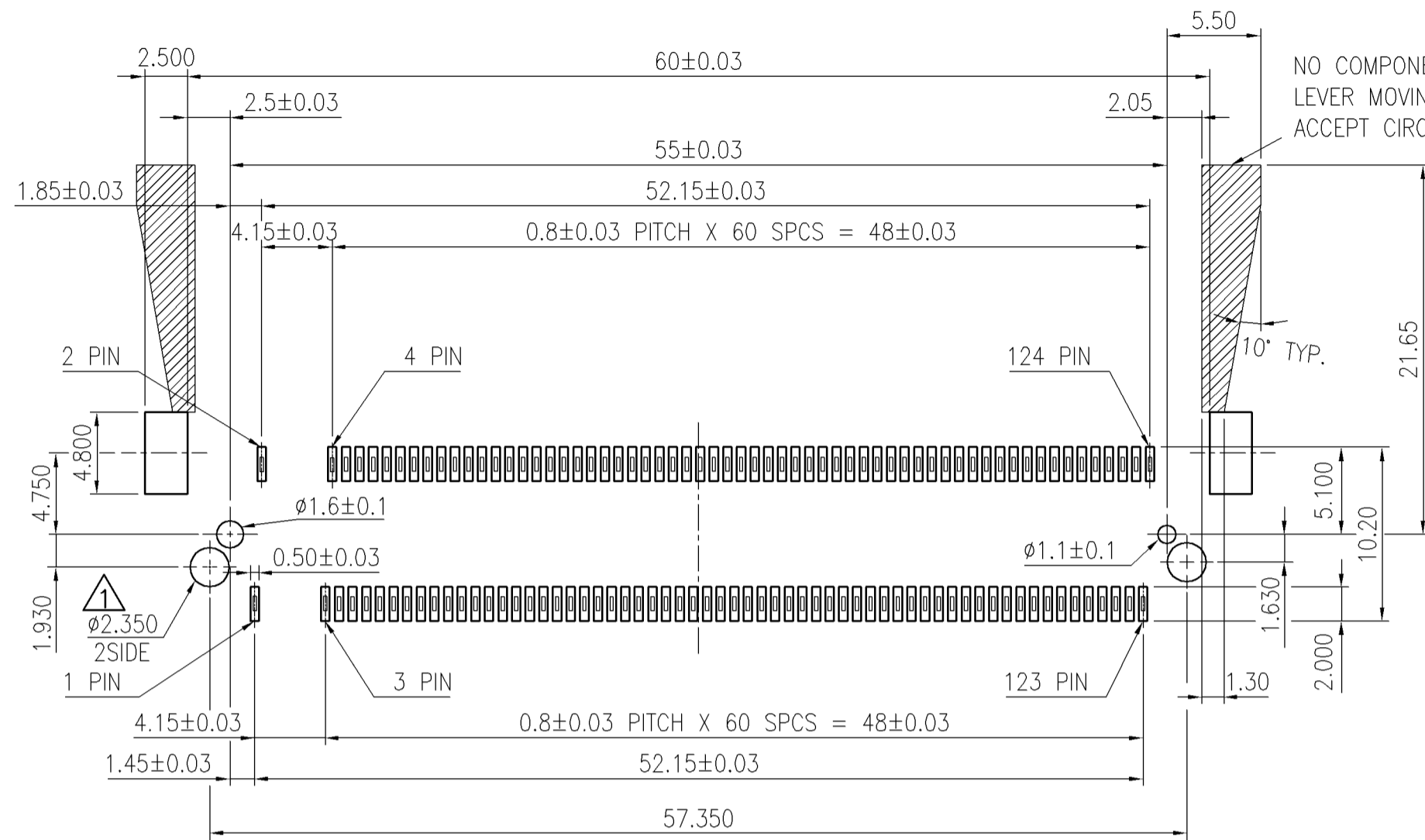
- NOTE:
- ▲ SCREW LOCATION AS APPLICABLE PER CUSTOMER.
  - ▲ RECOMMENDED SCREW : M2.2 X 6, PT 30 OR EQUIVALENT SCREW FOR THERMOPLASTIC.
  - 3. TORQUE SCREWS TO 38-48 OZF-IN.



W/	WHITE	1-440360-4
	TRANSPARENT	1-440360-2
HOLE	TRAY COLOR	PART NUMBER

THIS DRAWING IS A CONTROLLED DOCUMENT.		DWN	S. HOU	11MAR2008	Tyco Electronics Corporation Taipei, Taiwan				
DIMENSIONS: MM		CHK	W. KODAMA	11MAR2008	NAME				
TOLERANCES UNLESS OTHERWISE SPECIFIED:		APVD	W. KODAMA	11MAR2008	108-57083				
0 PLC ± -		PRODUCT SPEC		QUALIFICATION TEST REPORT					
1 PLC ± 0.15		108-57083		501-57035		SIZE	CAGE CODE	DRAWING NO	RESTRICTED TO
2 PLC ± 0.1		501-57035		5.75 GRAMS		A3	00779	C-440360	-
3 PLC ± 0.05		CUSTOMER DRAWING		SCALE		SHEET		REV	
4 PLC ± -		SCALE -		SHEET 2 OF 6		REV M			
ANGLES ± -									
FINISH SEE NOTE									

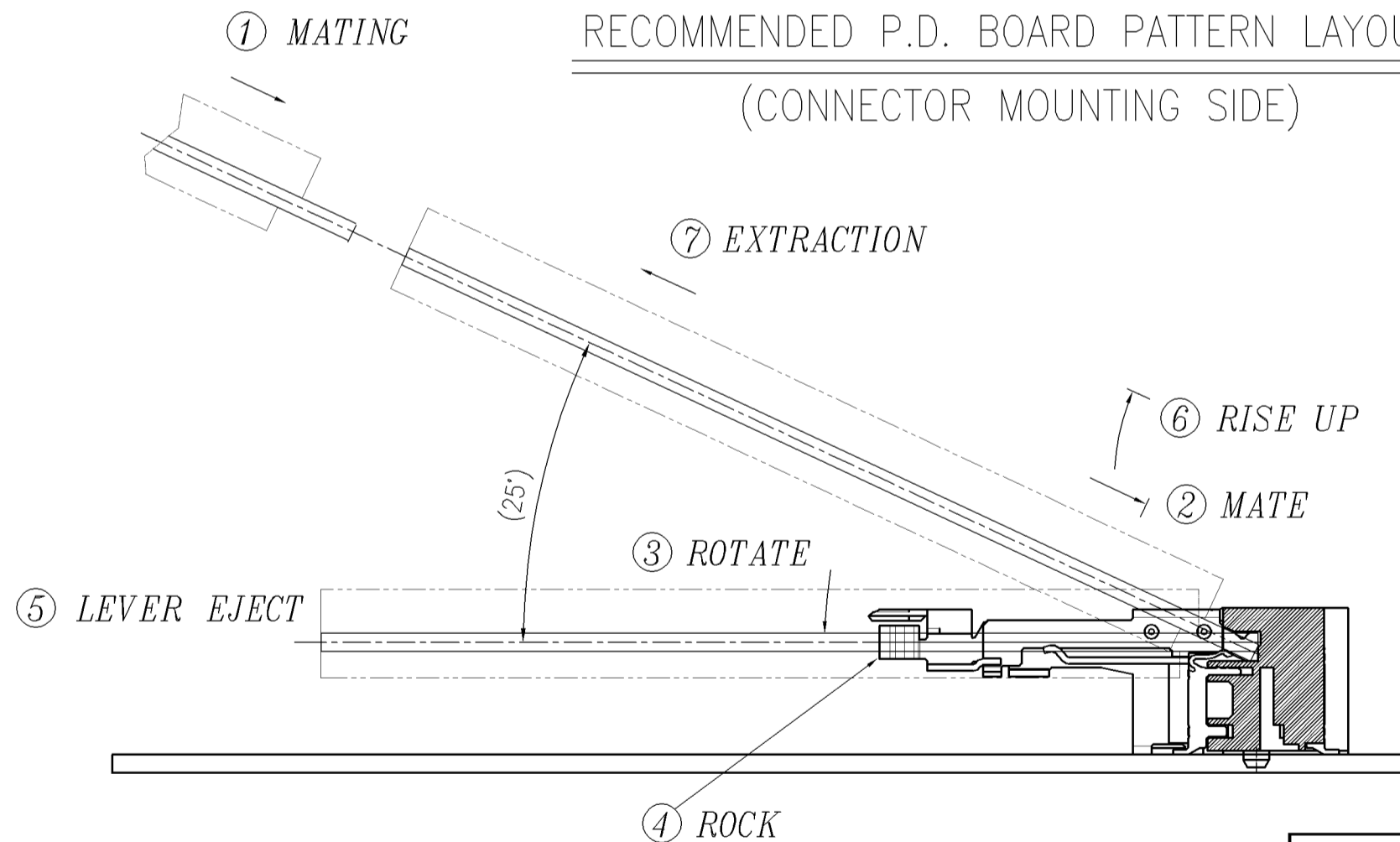
LOC	DIST	REVISIONS					
DW	-	P	LTR	DESCRIPTION	DATE	DWN	APVD
				SEE SHEET 1			



CIRCUIT POSITION OF S.O.DIMM

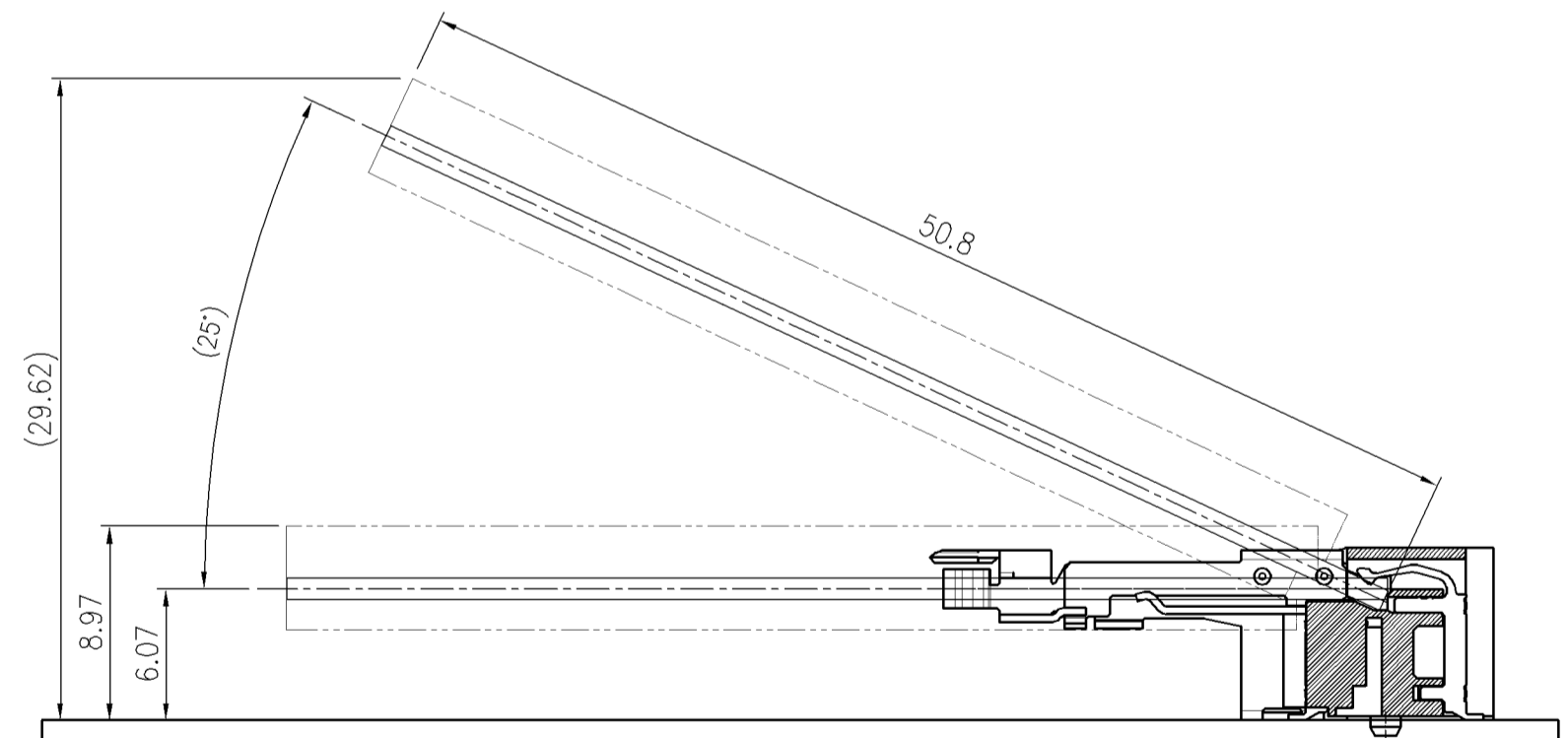
NOTE: THE HOLES ARE ONLY FOR P/N : 1-0440360-X.

RECOMMENDED P.D. BOARD PATTERN LAYOUT (CONNECTOR MOUNTING SIDE)



HOW TO MATE AND UNMATE

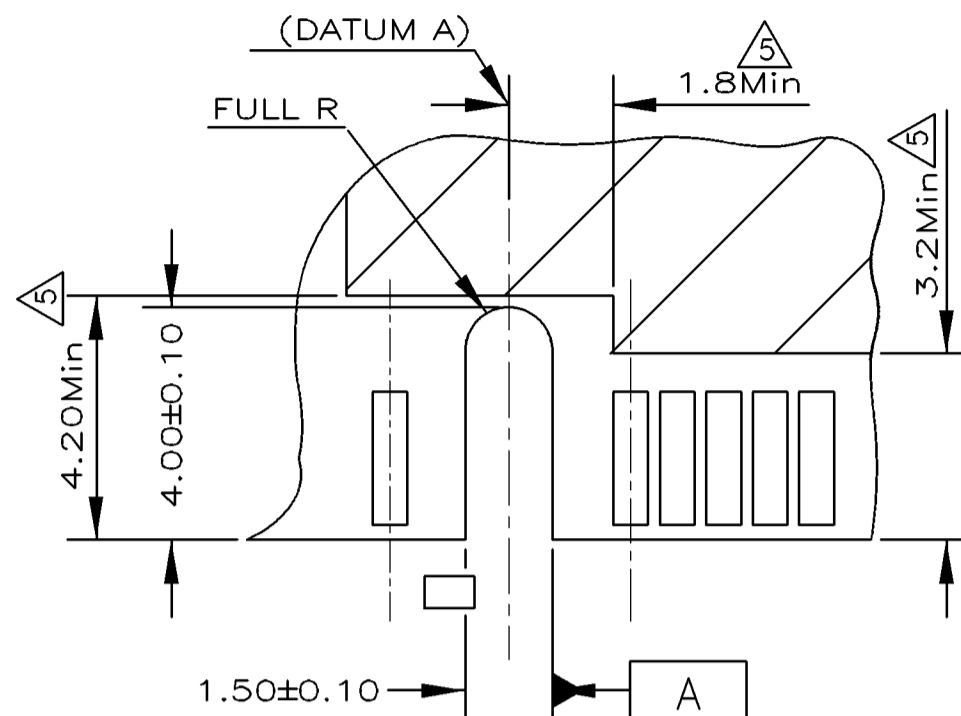
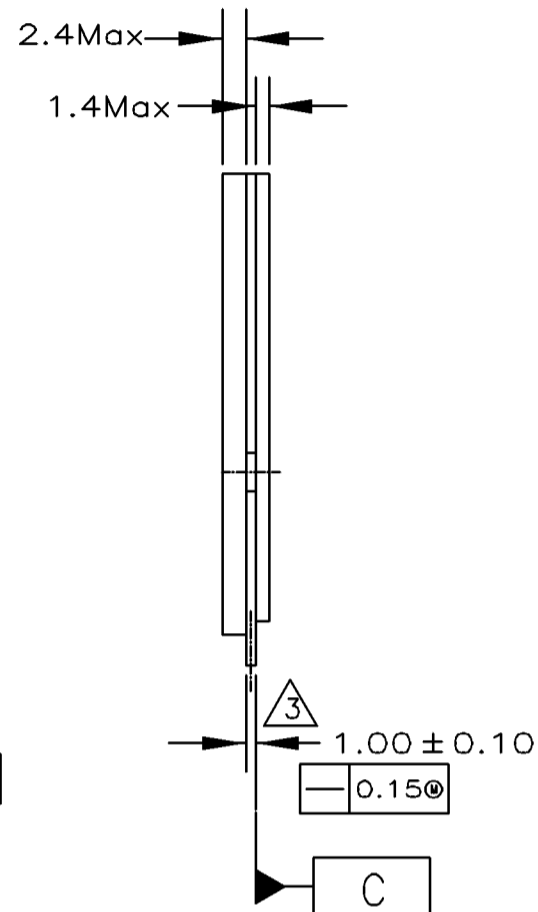
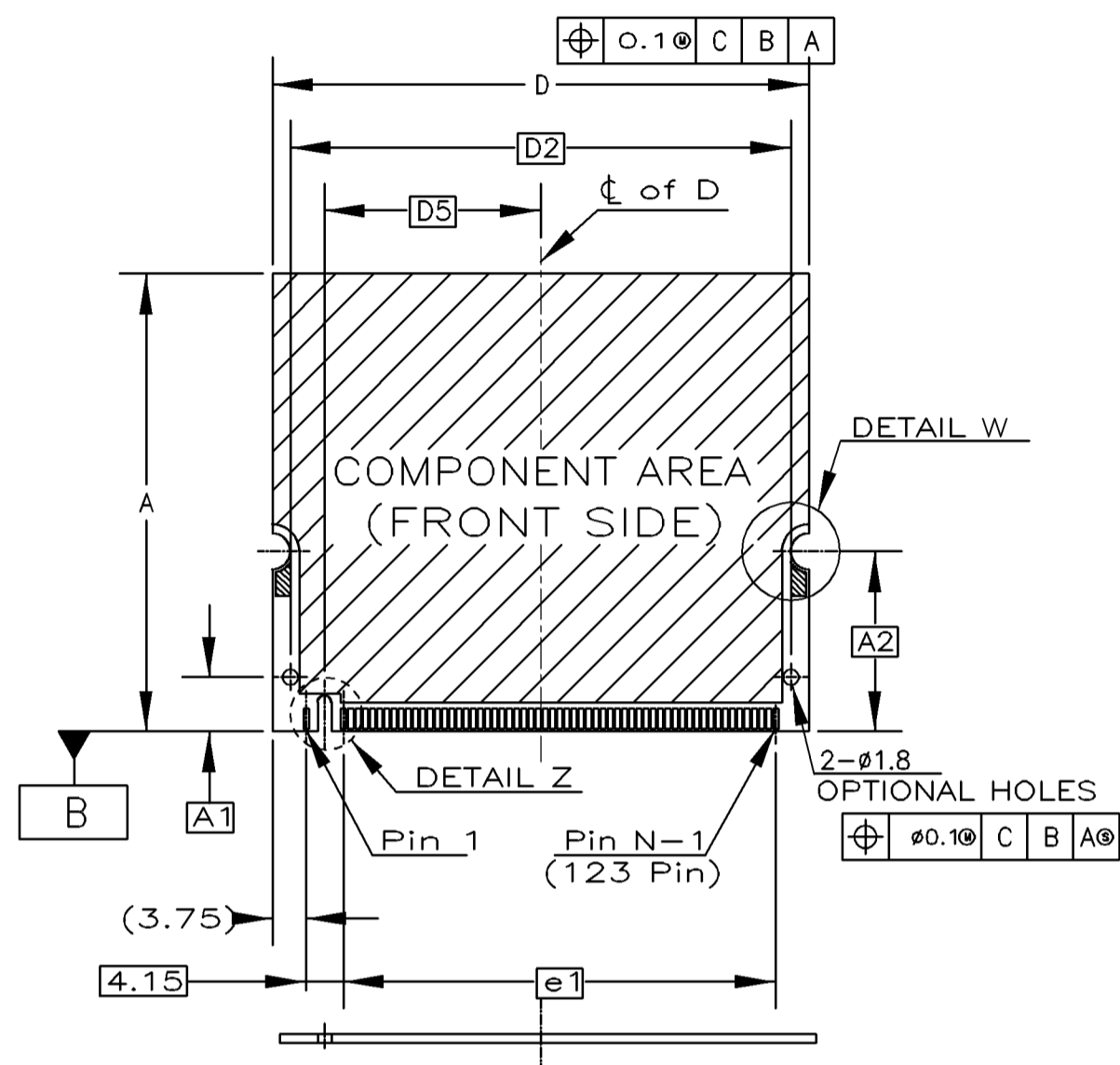
MATE: ① ~ ④  
UNMATE: ⑤ ~ ⑦



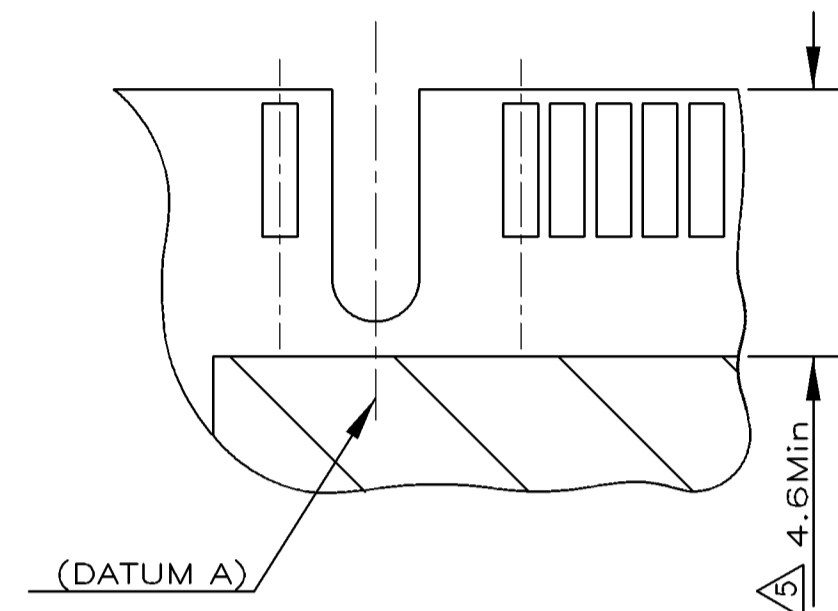
EJECT HEIGHT

THIS DRAWING IS A CONTROLLED DOCUMENT.		DWN S. HOU 11MAR2008	Tyco Electronics Corporation Taipei, Taiwan	
DIMENSIONS: MM		CHK W. KODAMA 11MAR2008	Tyco Electronics	
TOLERANCES UNLESS OTHERWISE SPECIFIED:		APVD W. KODAMA 11MAR2008	NAME	
0 PLC ± -		PRODUCT SPEC	0.8mm PITCH FAX MODEM SOCKET, 124 POSITIONS.	
1 PLC ± -		QUALIFICATION TEST REPORT	SIZE A3	CAGE CODE 00779
2 PLC ± -		WEIGHT -	DRAWING NO C-440360	RESTRICTED TO -
3 PLC ± -		CUSTOMER DRAWING	SCALE -	SHEET 3 OF 6
4 PLC ± -				REV M
ANGLES ± -				
FINISH -				

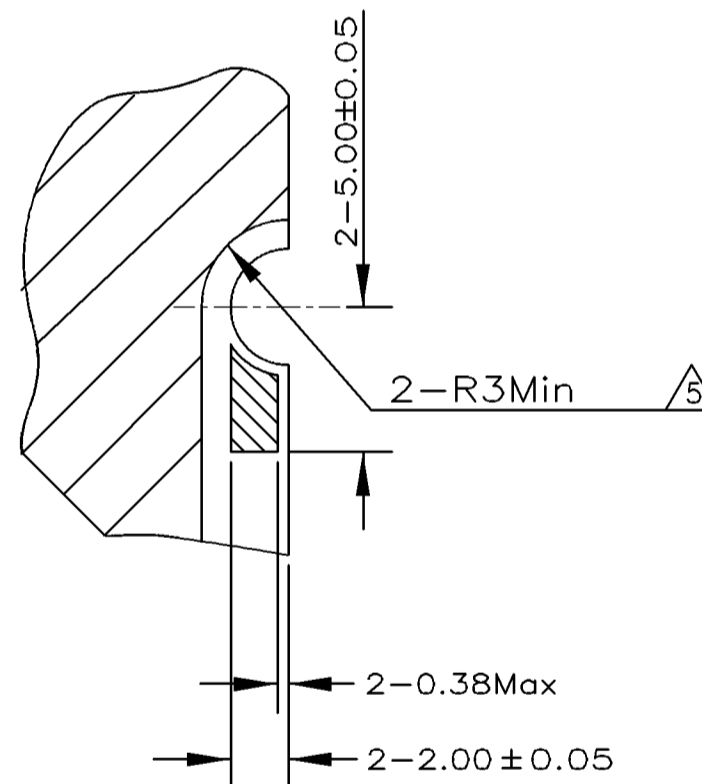
LOC	DW	DIST	REVISIONS			
P	LTR	DESCRIPTION	DATE	DWN	APVD	
		SEE SHEET 1				



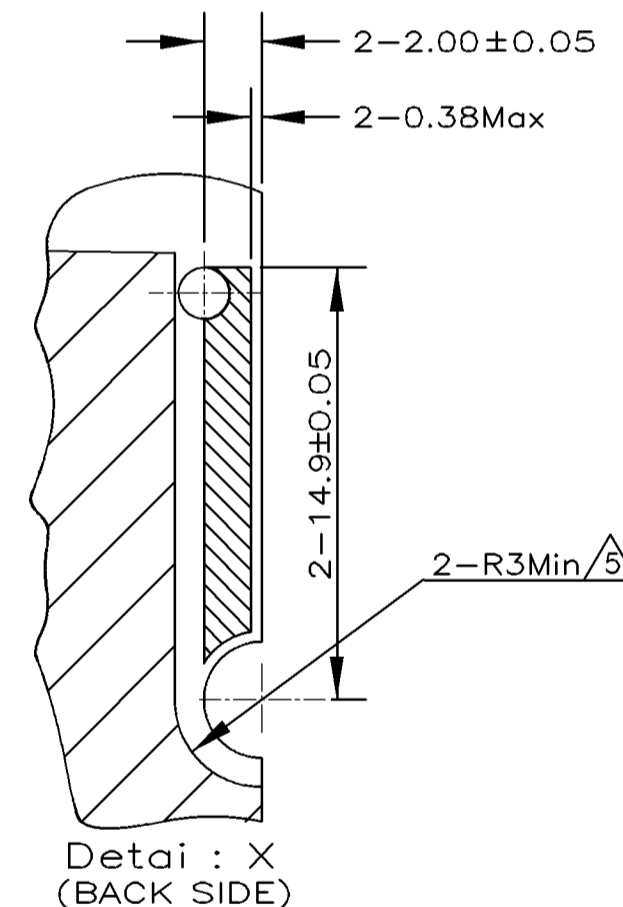
Detail : Z (FRONT SIDE)



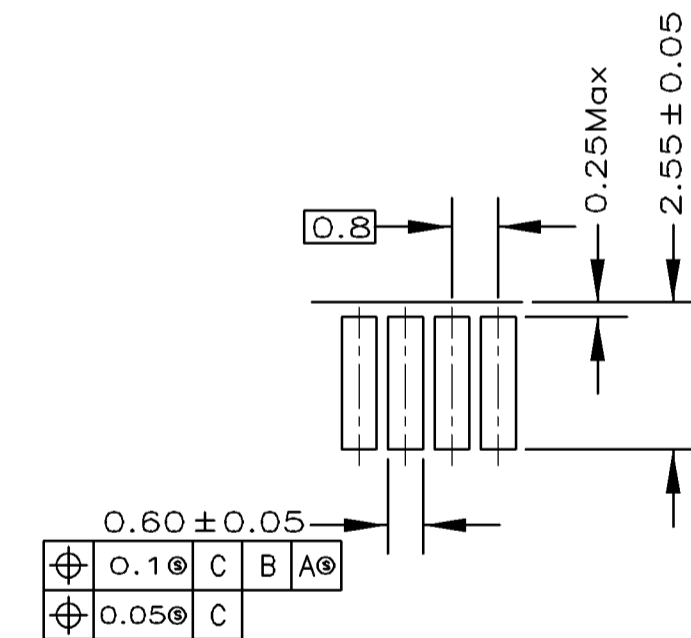
Detail : V (BACK SIDE)



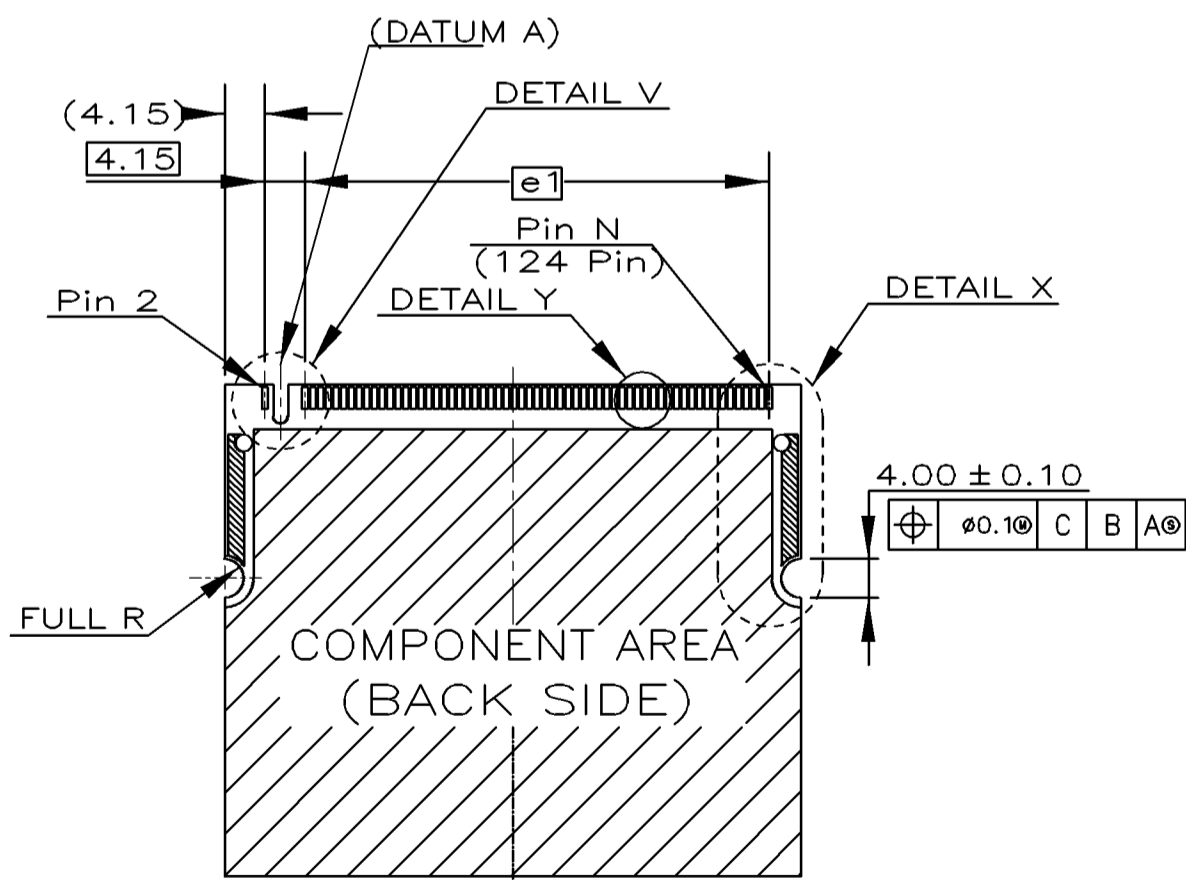
Detail : W (FRONT SIDE)



Detail : X (BACK SIDE)

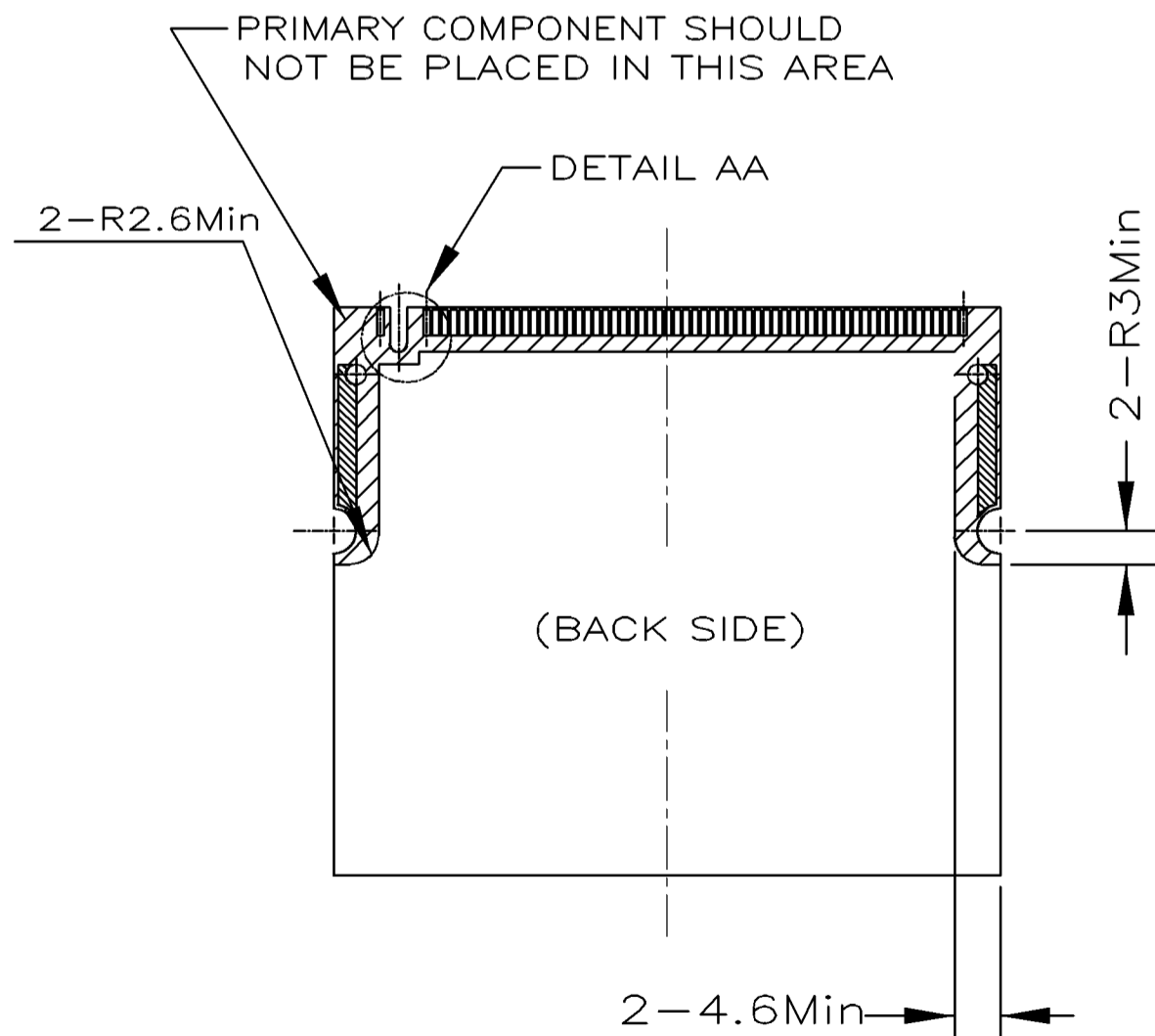
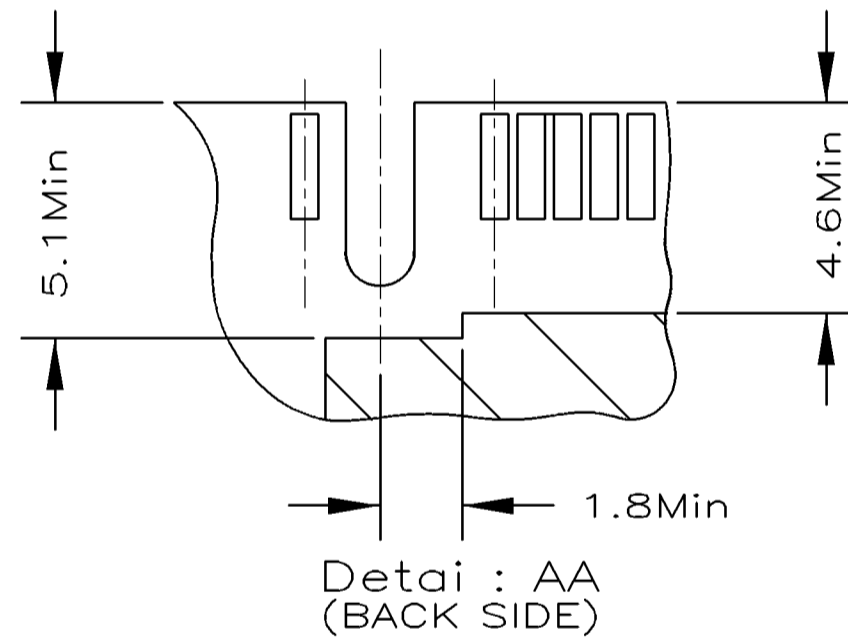
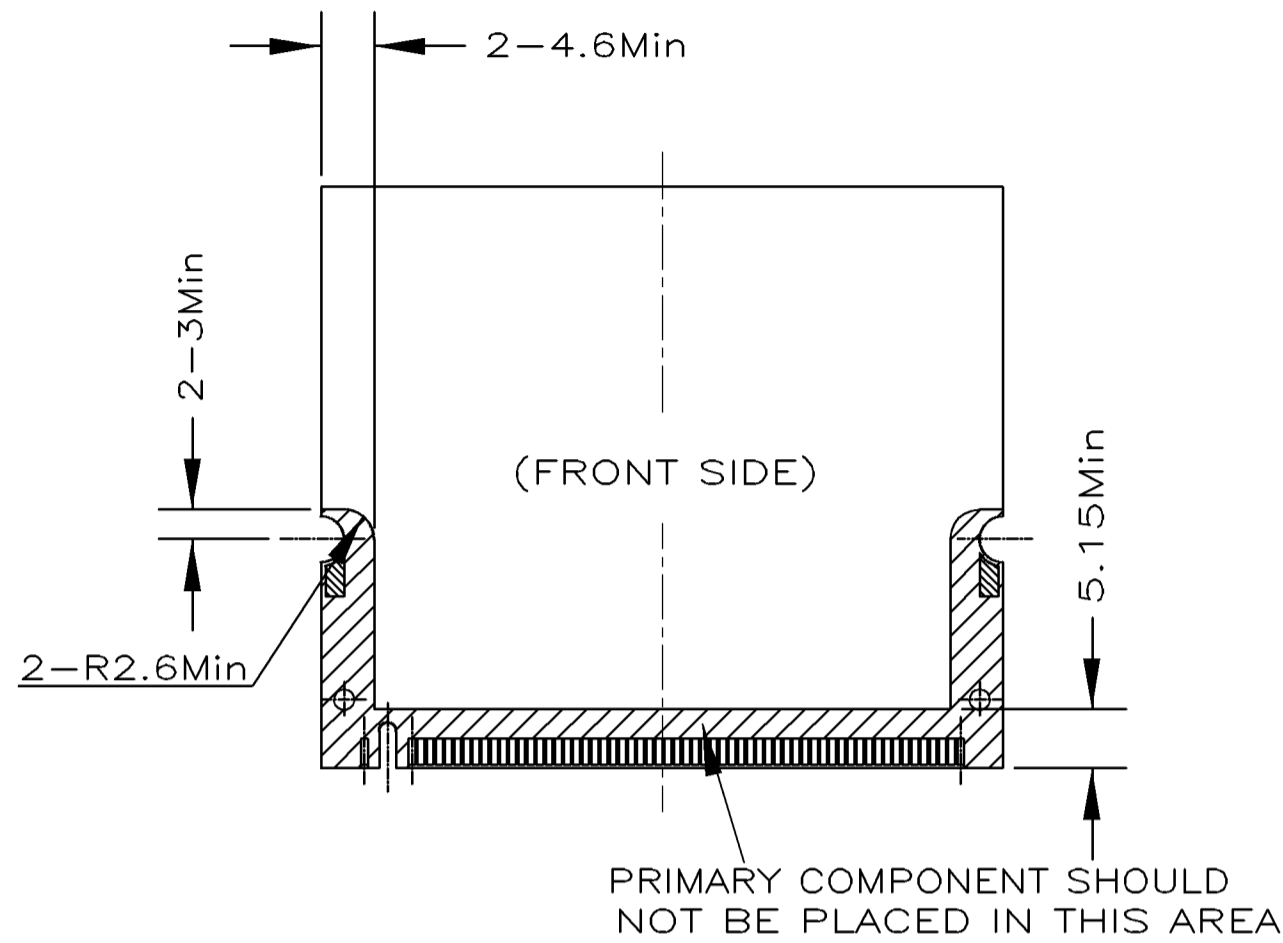


Detail : Y (BACK SIDE)



THIS DRAWING IS A CONTROLLED DOCUMENT.		DWN	S. HOU	11MAR2008	Tyco Electronics Corporation Taipei, Taiwan	
DIMENSIONS: MM		CHK	W. KODAMA	11MAR2008	NAME	
TOLERANCES UNLESS OTHERWISE SPECIFIED:		APVD	W. KODAMA	11MAR2008	0.8mm PITCH FAX MODEM SOCKET, 124 POSITIONS.	
0 PLC ± -		PRODUCT SPEC		SIZE		
1 PLC ± -		QUALIFICATION TEST REPORT		CAGE CODE		DRAWING NO
2 PLC ± -		WEIGHT		A300779		C=440360
3 PLC ± -		CUSTOMER DRAWING		SCALE		SHEET
4 PLC ± -		SCALE		—		4 OF 6
ANGLES ± -		SHEET		—		REV
FINISH		REV		—		M

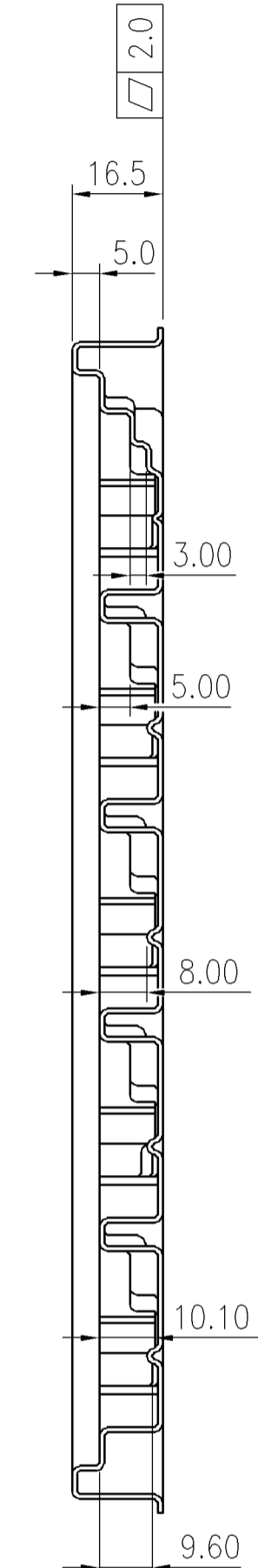
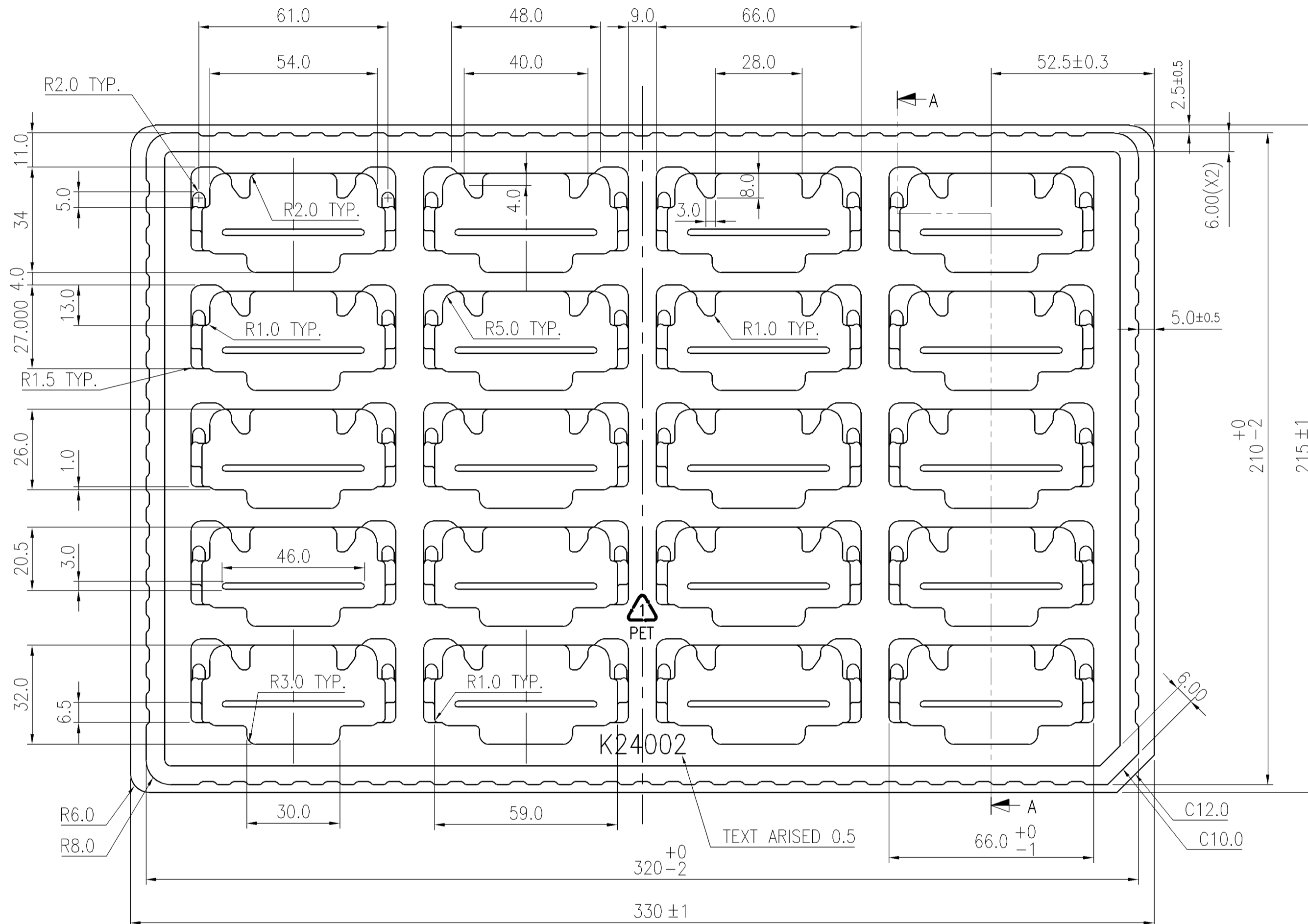
LOC DW	DIST —	REVISIONS			
P	LTR	DESCRIPTION	DATE	DWN	APVD
		SEE SHEET 1			



SOYMBOL	VARIATIONS ALL DIMENSIONS IN mm					
	NORMAL HEIGHT 44.45			NORMAL HEIGHT 50.80		
	AA		BA			
	MIN	NOM	MAX	MIN	NOM	MAX
A	44.3	44.45	44.60	50.65	50.80	50.95
A1	6.00	BSC		6.00	BSC	
A2	20.00	BSC		20.00	BSC	
D	59.45	59.6	59.75	59.45	59.6	59.75
D1	1.30	BSC		1.30	BSC	
D2	55.60	BSC		55.60	BSC	
D3	2.05	BSC		2.05	BSC	
D4	1.65	BSC		1.65	BSC	
D5	24.00	BSC		24.00	BSC	
e1	48.00	BSC		48.00	BSC	
N	124			124		

THIS DRAWING IS A CONTROLLED DOCUMENT.		DWN S. HOU 11MAR2008	Tyco Electronics Corporation Tyco Electronics Taipei, Taiwan			
DIMENSIONS: MM		CHK W. KODAMA 11MAR2008	NAME			
TOLERANCES UNLESS OTHERWISE SPECIFIED:		APVD W. KODAMA 11MAR2008	0.8mm PITCH FAX MODEM SOCKET, 124 POSITIONS.			
0 PLC ± -		PRODUCT SPEC	SIZE CAGE CODE DRAWING NO RESTRICTED TO			
1 PLC ± -		—	A3 00779 C-440360			
2 PLC ± -		QUALIFICATION TEST REPORT	SCALE SHEET REV			
3 PLC ± -		—	— 5 OF 6 M			
4 PLC ± -		WEIGHT	—			
ANGLES ± -		CUSTOMER DRAWING	—			
FINISH		—				

P	LTR	DESCRIPTION	DATE	DWN	APVD
		SEE SHEET 1			



NOTES:

1. MATERIAL: PET, t=0.9 ± 0.20 mm.
2. ALLOWED RADIUS R0.5 UNLESS OTHERWISE SPECIFIED.
3. DRAFT ANGLE: 3° MAX.
4. PACKAGE: 30 TRAYS/CARTON, TOTAL: 600 PCS.

THIS DRAWING IS A CONTROLLED DOCUMENT.		DWN S. HOU 11MAR2008	Tyco Electronics Corporation Taipei, Taiwan		
DIMENSIONS: MM		CHK W. KODAMA 11MAR2008	NAME		
TOLERANCES UNLESS OTHERWISE SPECIFIED:		APVD W. KODAMA 11MAR2008	0.8mm PITCH FAX MODEM SOCKET, 124 POSITIONS.		
0 PLC ± -		PRODUCT SPEC	SIZE	CAGE CODE	DRAWING NO
1 PLC ± -		QUALIFICATION TEST REPORT	A3	00779	C-440360
2 PLC ± -		WEIGHT	RESTRICTED TO		
3 PLC ± -		CUSTOMER DRAWING	SCALE - SHEET 6 OF 6 REV M		
4 PLC ± -					
ANGLES ± -					
FINISH					