

4

3

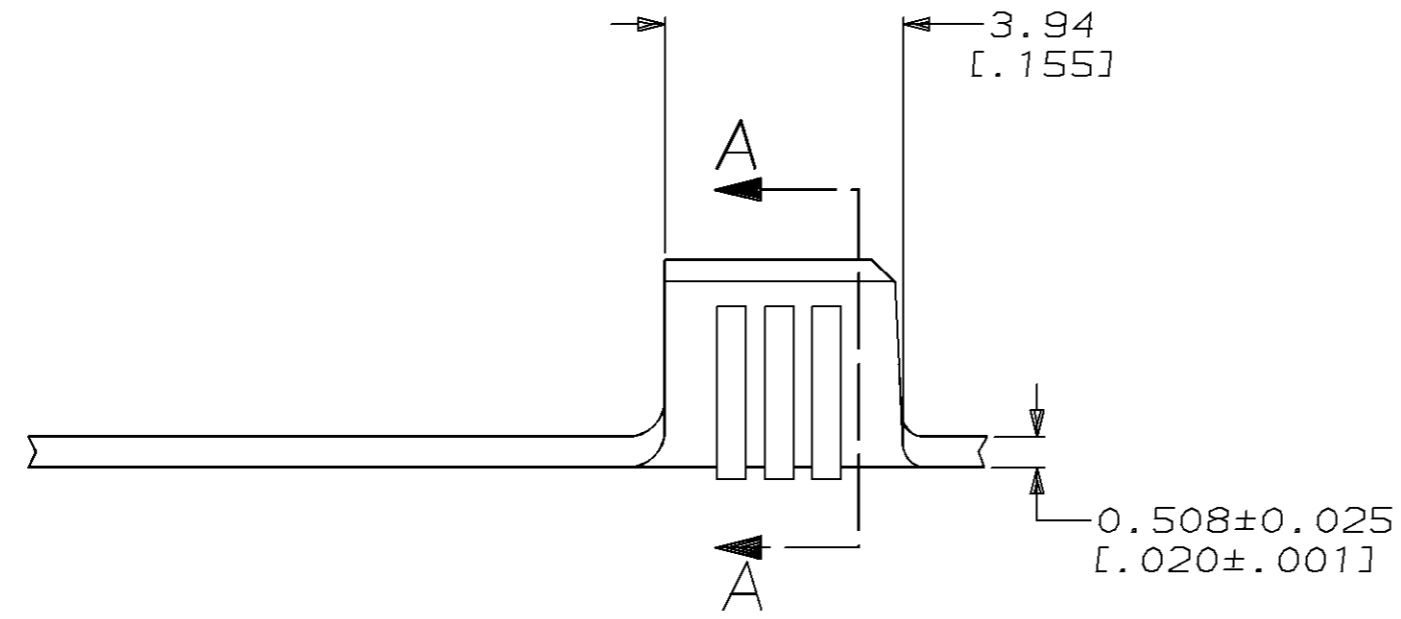
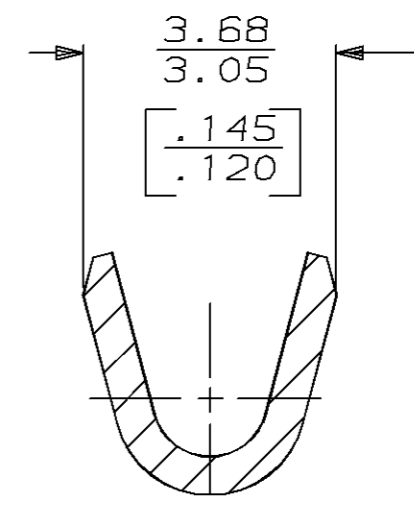
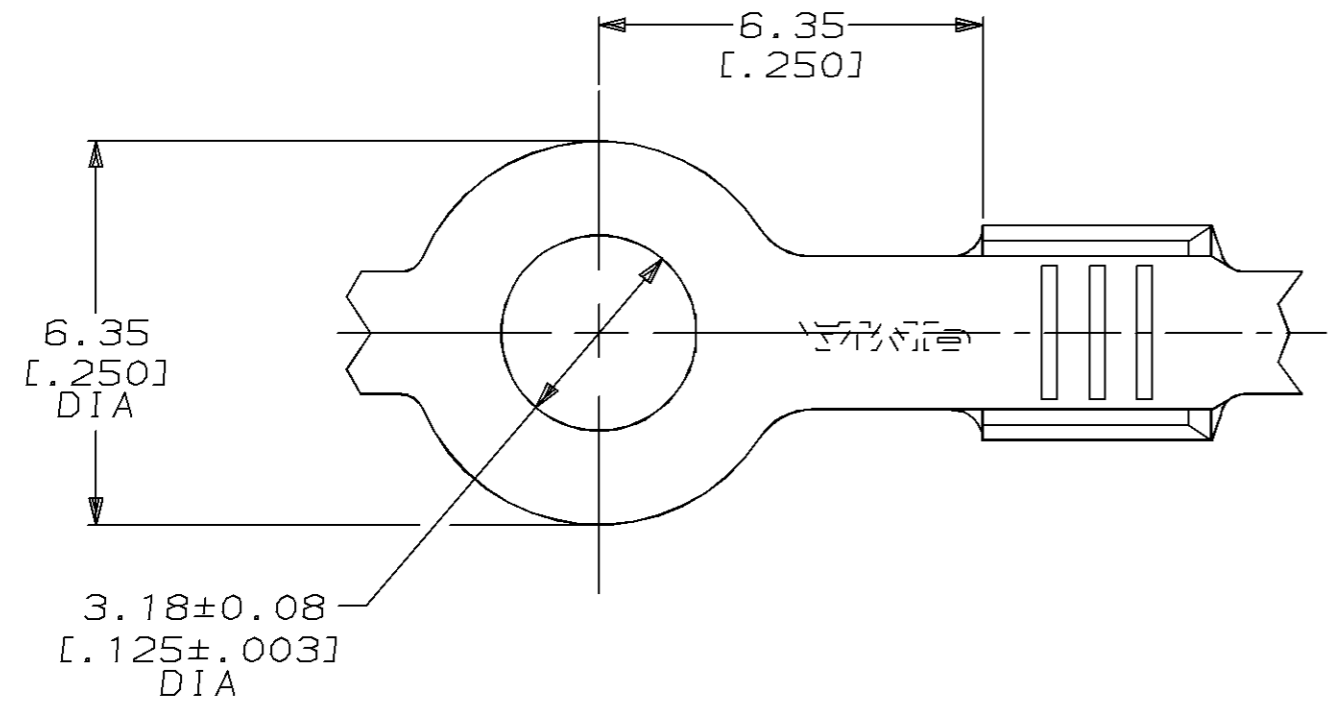
2

1

THIS DRAWING IS UNPUBLISHED. RELEASED FOR PUBLICATION, 19 .
 © COPYRIGHT 19 BY AMP INCORPORATED. ALL RIGHTS RESERVED.

LOC	DIST	REVISIONS			
P	LTR	DESCRIPTION	DATE	DWN	APVD
AF	50	R	ADDED -3 AND REDRAWN PER OL10-0077-97	11/FEB/97	PF GY

1 CONTINUOUS STRIP ON REEL.



SECTION A-A
SCALE 10:1

H02 PHOS BRZ	[22-16] AWG	42185-3
082 BRASS		42185-2
MATERIAL	WIRE RANGE	PART NUMBER

THIS DRAWING IS A CONTROLLED DOCUMENT.		DWN PHILLIP M FORTNEY 11/FEB/97	AMP Incorporated Harrisburg, PA 17105-3608	
DIMENSIONS: mm [INCHES]	TOLERANCES UNLESS OTHERWISE SPECIFIED,	CHK JEFF R RUTH 11/FEB/97	NAME AMP TERMINAL, RING	
	0 PLC ±-	APVD GARY YETTER 11/FEB/97	PRODUCT SPEC	
	1 PLC ±-		APPLICATION SPEC	
	2 PLC ±0.25 [.010]		SIZE	CAGE CODE
	3 PLC ±-		A3	00779
	4 PLC ±-		DRAWING NO C-42185	
	ANGLES ±-		RESTRICTED TO	
MATERIAL SEE TABLE	FINISH 0.002032 [.000080] MIN TIN PL PER MIL-T-10727	WEIGHT -	CUSTOMER DRAWING	
		SCALE 8:1	SHEET 1 OF 1	REV R