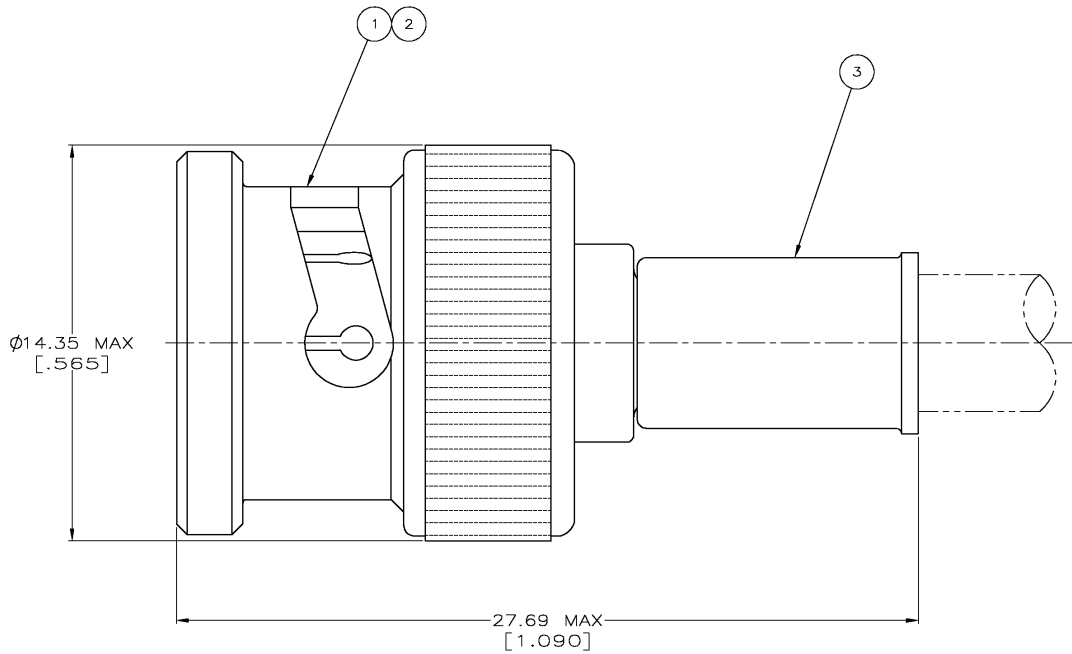
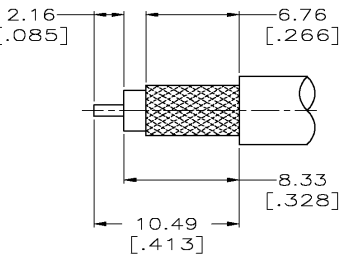


4
DRAWING MADE IN THIRD ANGLE PROJECTION
THIS DRAWING IS UNPUBLISHED. RELEASED FOR PUBLICATION .19
© COPYRIGHT 19 BY AMP INCORPORATED. ALL INTERNATIONAL RIGHTS RESERVED.

LOC	DIST	P	F	ZONE	LTR	REVISIONS		DATE	APPO
AJ	16					D	OBSELETE -3 PER OS14-0485-02	17OCT03	KW



△ USE PRO-CRIMPER II HAND TOOL
2. USE INSTRUCTION SHEET 408-4026



RECOMMENDED STRIP LENGTH
SCALE 4:1

SUPERSEDE BY 414852-3	SINGLE	RG-174/U, 179/U, 187/U, 188/U, 316/U	58559-1	2-328666-5	1-414724-2	414853-3	414852-6
SUPERSEDE BY 414852-2	SINGLE	RG-59, 59A, 59B/U	58558-1	50428-2	414724-8	414853-2	414852-5
SUPERSEDE BY 414852-1	SINGLE	RG-58, 58A, 58B, 58C/U & BELDEN 9907	58558-1	50427-4	414724-6	414853-1	414852-4
OBSELETE	BULK	RG-174/U, 179/U, 187/U, 188/U, 316/U	58559-1	2-328666-5	1-414724-2	414853-3	414852-3
	BULK	RG-59, 59A, 59B/U	58558-1	50428-2	414724-8	414853-2	414852-2
	BULK	RG-58, 58A, 58B, 58C/U & BELDEN 9907	58558-1	50427-4	414724-6	414853-1	414852-1
PACKAGING	FOR USE WITH CABLE		DIE SET ① ③	FERRULE ② QTY=1	CONTACT ① QTY=1	PLUG ASSEMBLY ① QTY=1	PART NUMBER

DO NOT SCALE PRINT. UNLESS SPECIFIED DIMENSIONS IN mm [INCHES] TOLERANCES ON : 2 PLC DEC ± - 3 PLC DEC ± - ANGLES ± -	DR 18MAY94 M.E. COWHER	AMP Incorporated Harrisburg, PA 17105-3608
MATERIAL -	CHK 19MAY94 M. PHILLIPS	
FINISH -	APPD 19MAY94 M. PHILLIPS	NAME PLUG, CONSUMER, BNC
	APPD 19MAY94 M.E. COWHER	SIZE C 00779
	PRODUCT SPEC -	DRAWING NO C= 414852
	APPLICATION SPEC -	SCALE 8:1
	WEIGHT -	SHEET 10F 1

4 AMP INCORPORATED. IT IS SUBJECT TO CHANGE AND THE CONTROLLING ENGINEERING ORGANIZATION SHOULD BE CONTACTED FOR THE LATEST REVISION.