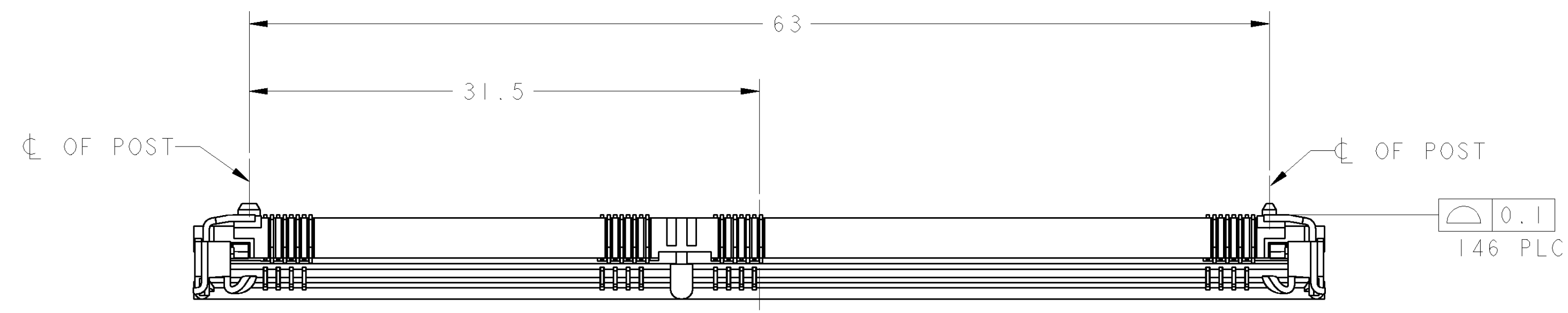
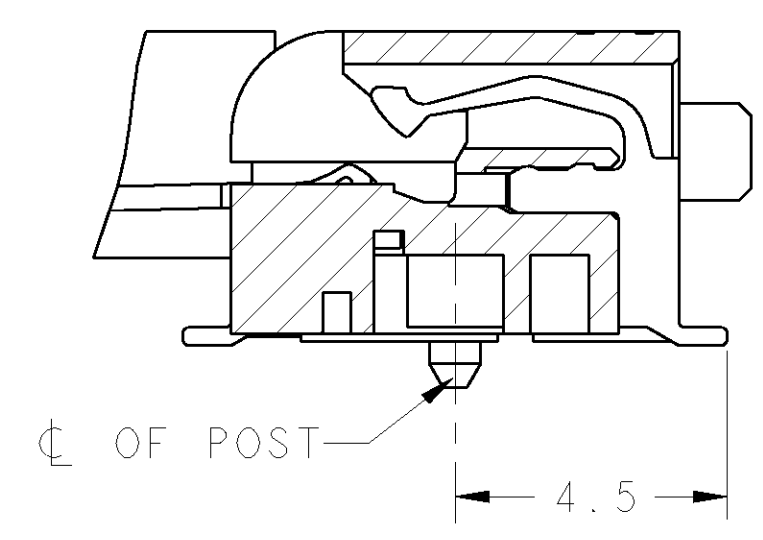
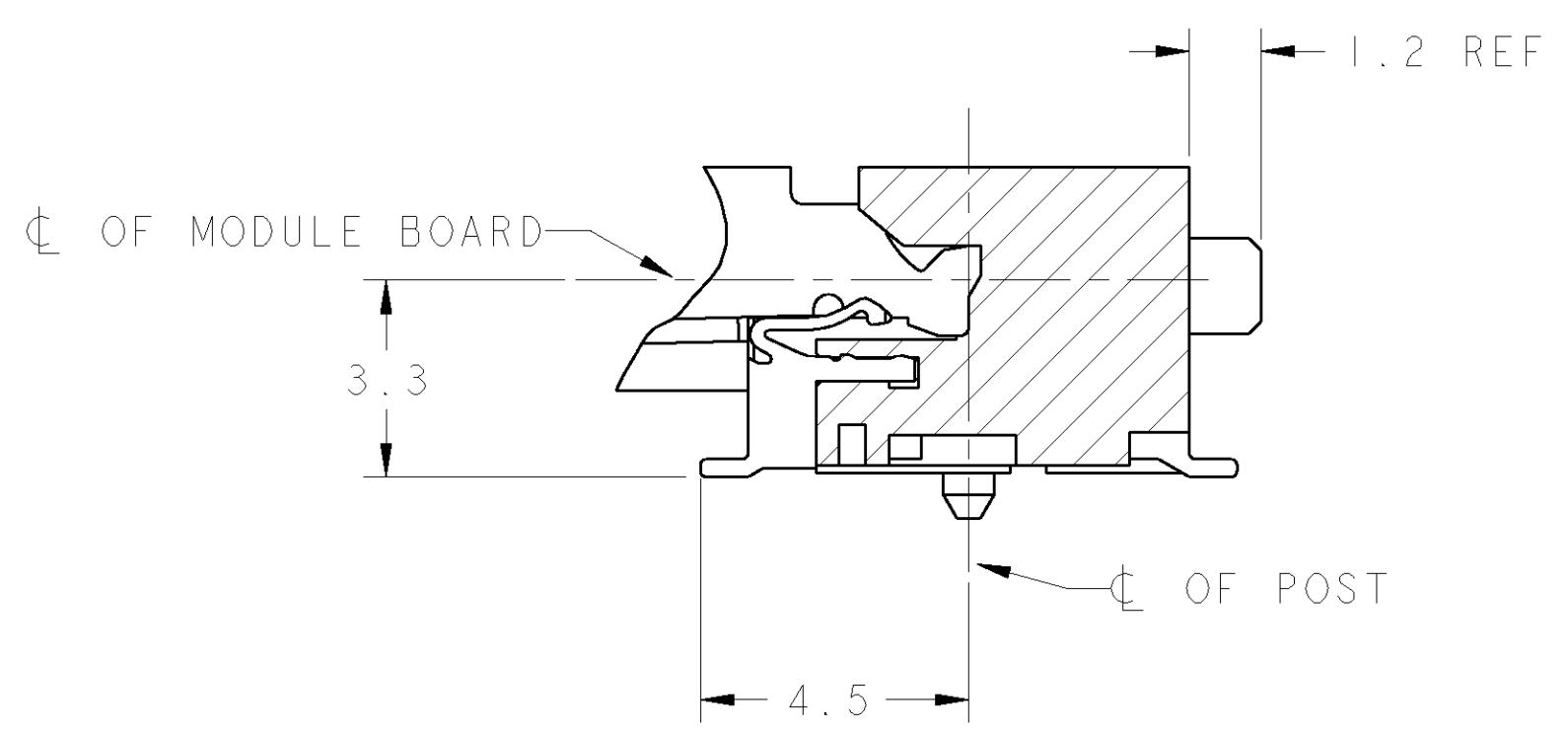
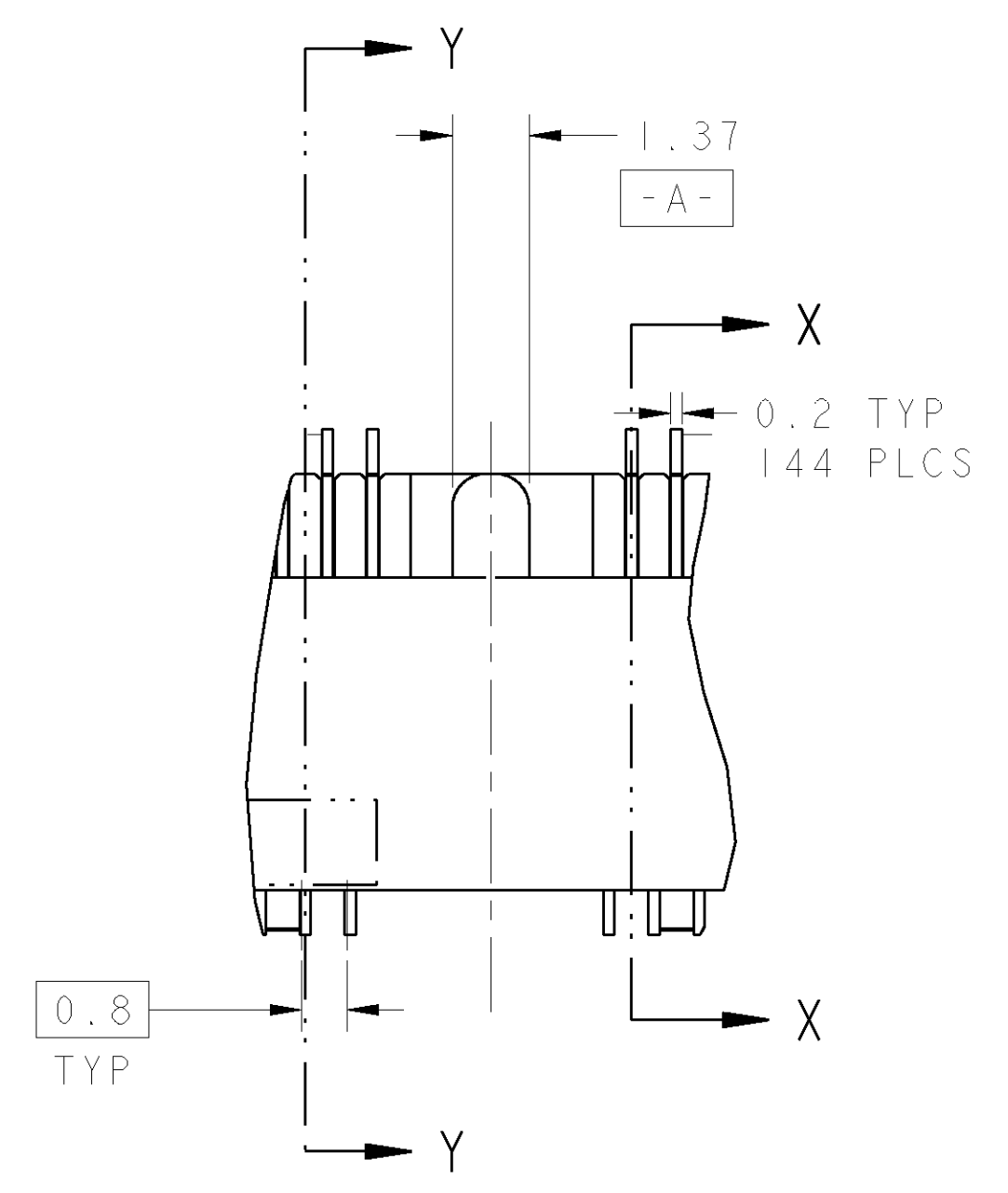
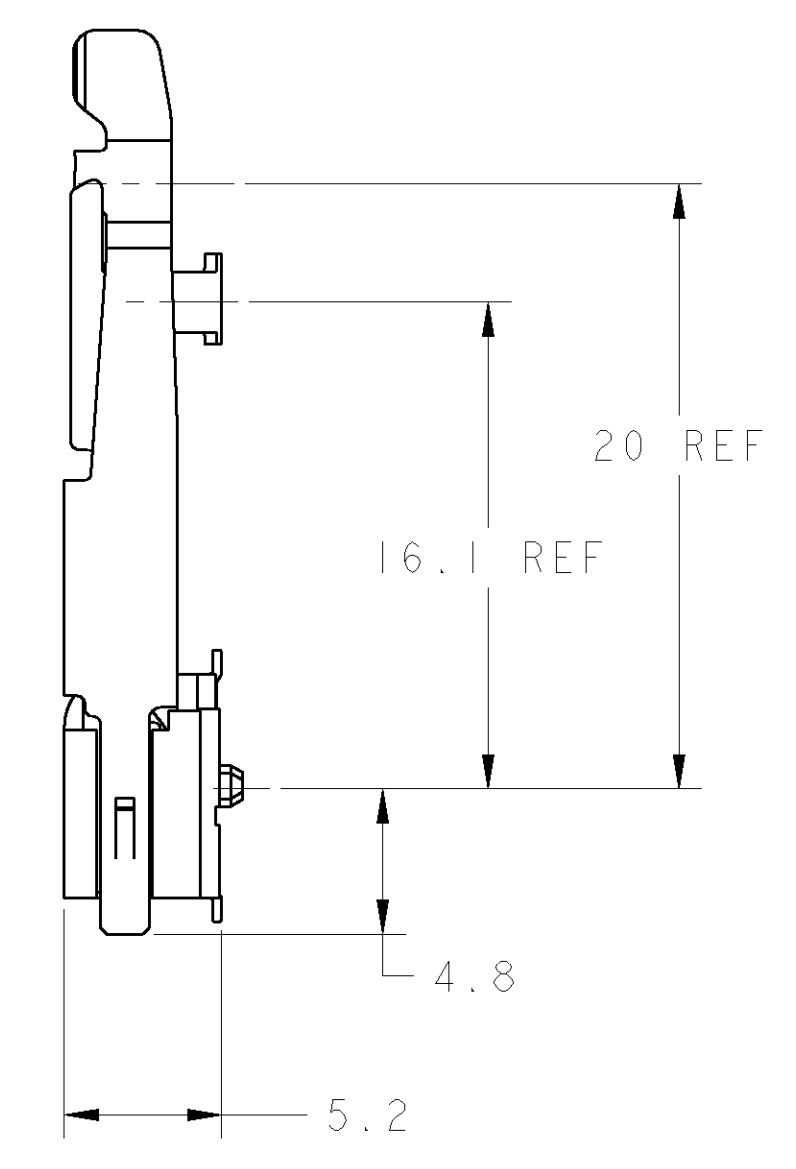
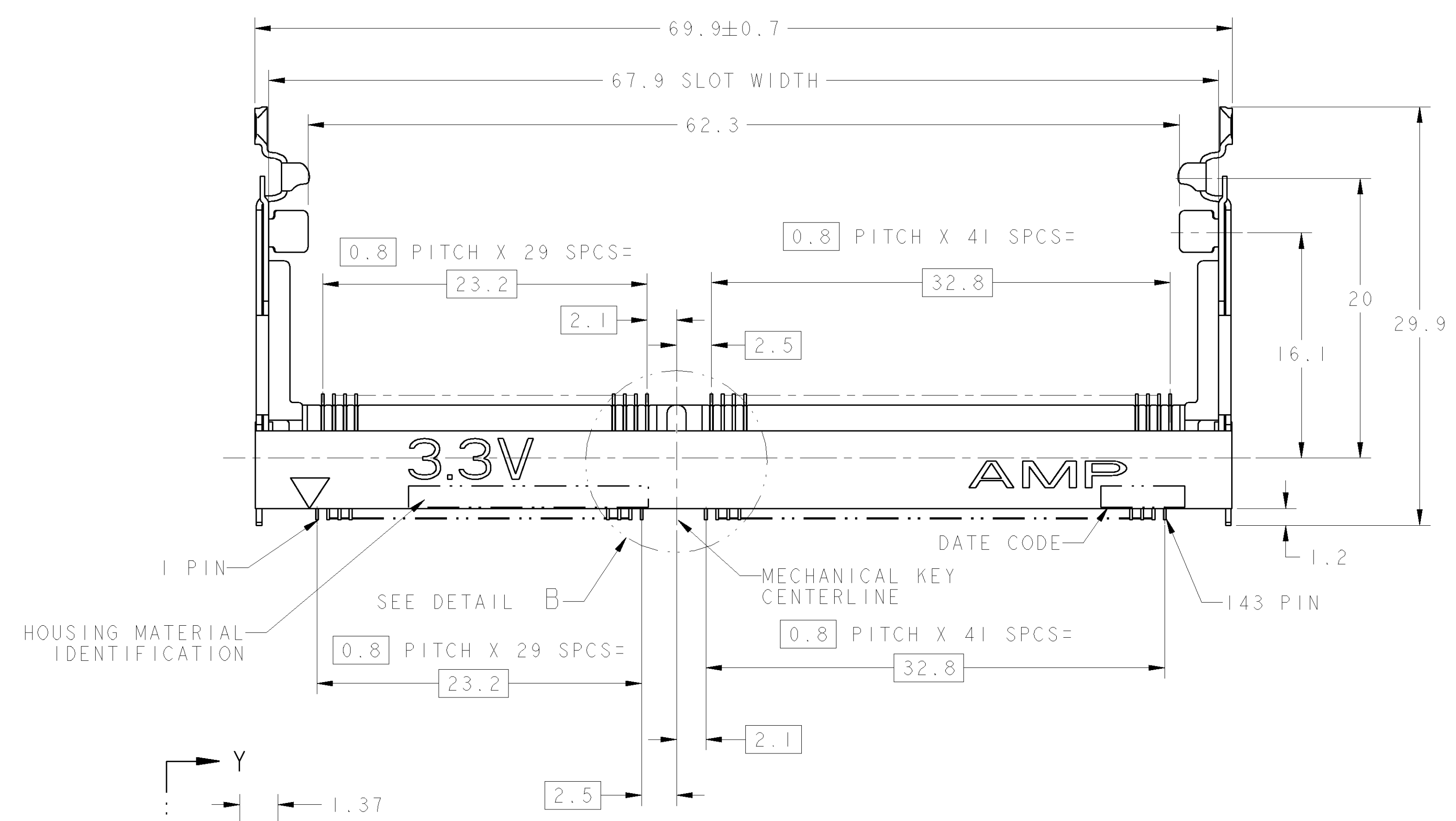


LOC	DIST	REVISIONS			
F	LTR	DESCRIPTION	DATE	DNM	APRD
G		REVISED PER OS1D-0139-00	11OCT00	AH	KK
H		ECOC TRANSFER PER OS1D-0140-00	11JAN01	AH	KK
J		REVISED FP00-0321-02	19NOV02	LSK	ET
K		REVISED FP00-0083-03	21MAY03	LWY	LSF



- 1 MATERIAL, HOUSING, HIGH TEMPERATURE PLASTIC, UL94V-0, NAT. CONTACT: COPPER ALLOY LATCH: SUS301 STAINLESS STEEL PLATING.
- 2 FINISH; CONTACT AREA: 0.00025 MIN GOLD PLATE ON 0.001 MIN ALL OVER NICKEL SOLDERING AREA: 0.00005 MIN TO 0.00030 MAX GOLD PLATE.
- 3 TOLERANCES NON-ACCUMULATIVE.
- 4 PACKAGED 12 PIECES PER HARD TRAY.
- 5 FINISH; CONTACT AREA: 0.00025 MIN GOLD PLATE ON 0.001 MIN ALL OVER NICKEL SOLDERING AREA: BRIGHT TIN LEAD PLATE.
- 6 PART PACKAGED PER EIA-1S704 STANDARD. REEL DIAMETER SHALL BE 330mm. TAPE WIDTH SHALL BE 88mm AND TAPE PITCH SHALL BE 36mm.



SECTION X-X
 ROTATED 90° CCW
 SCALE 8:1

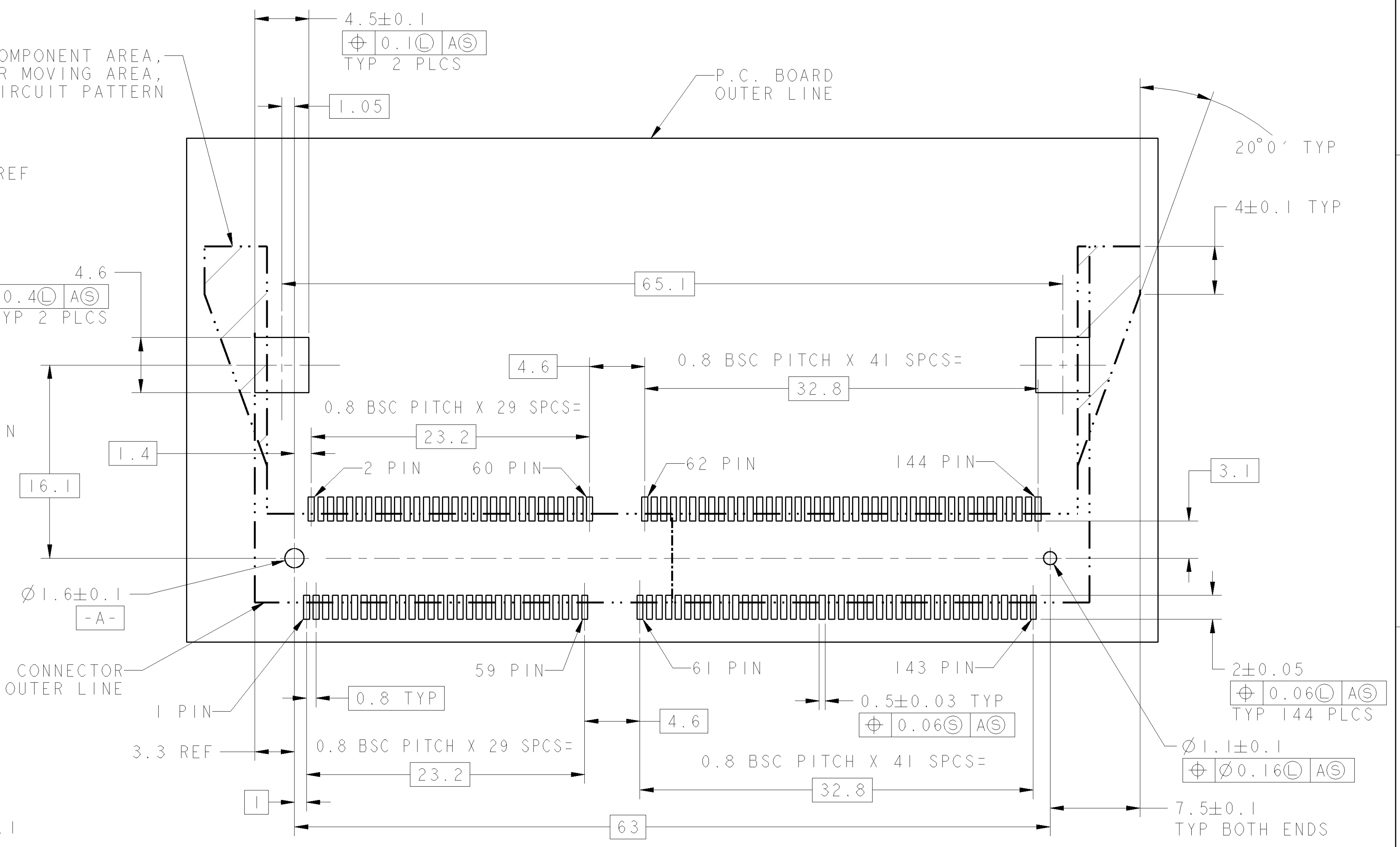
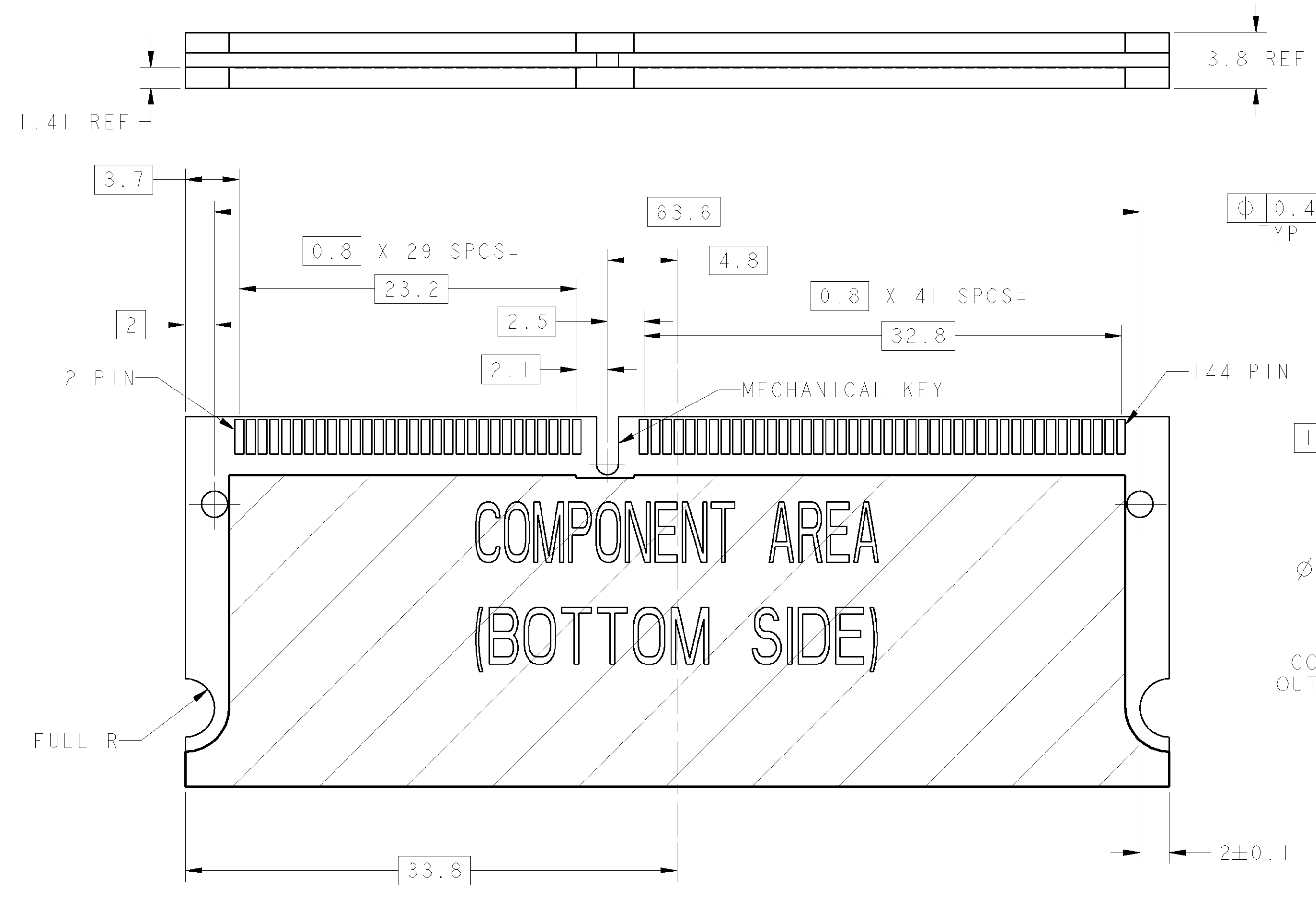
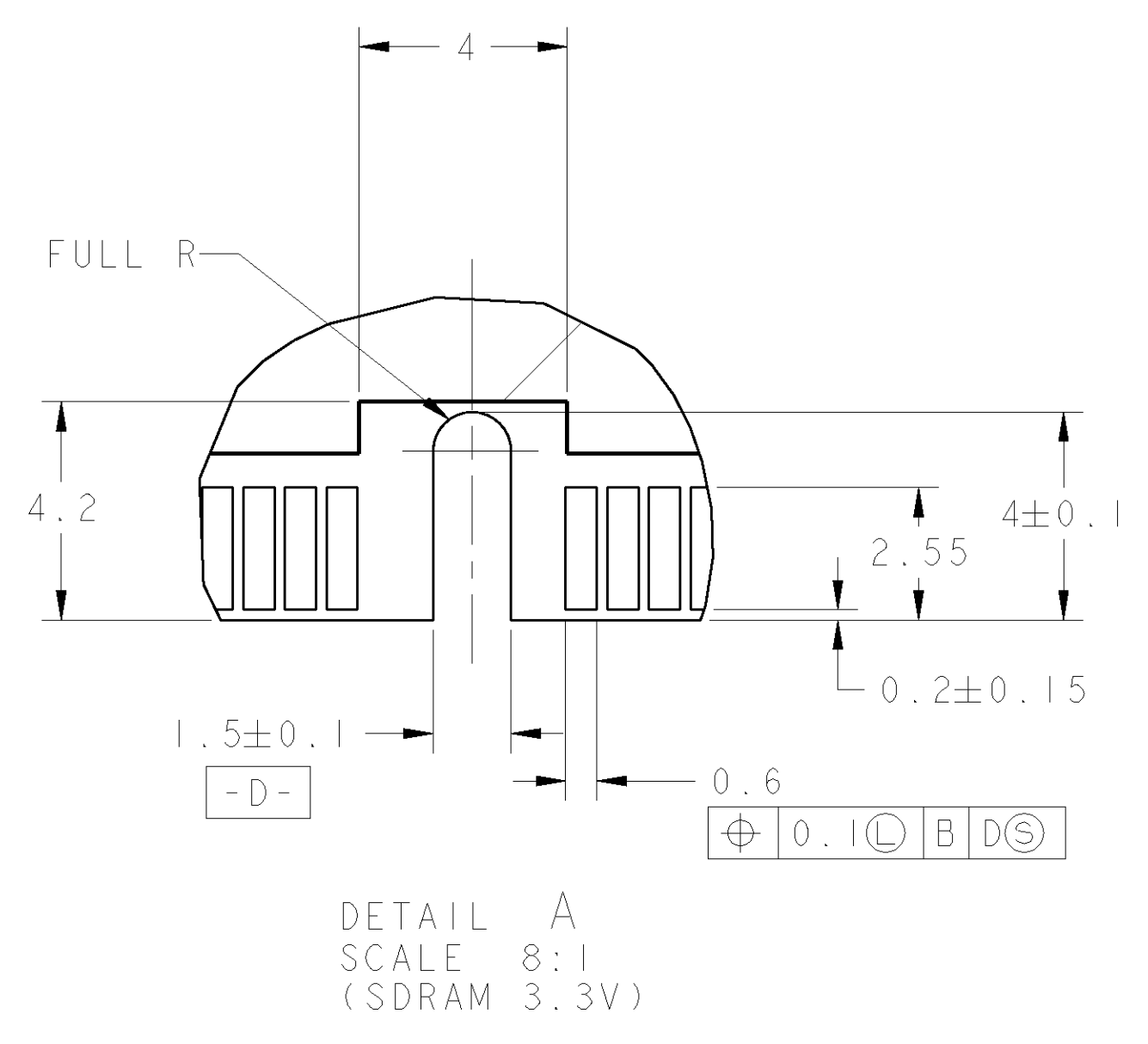
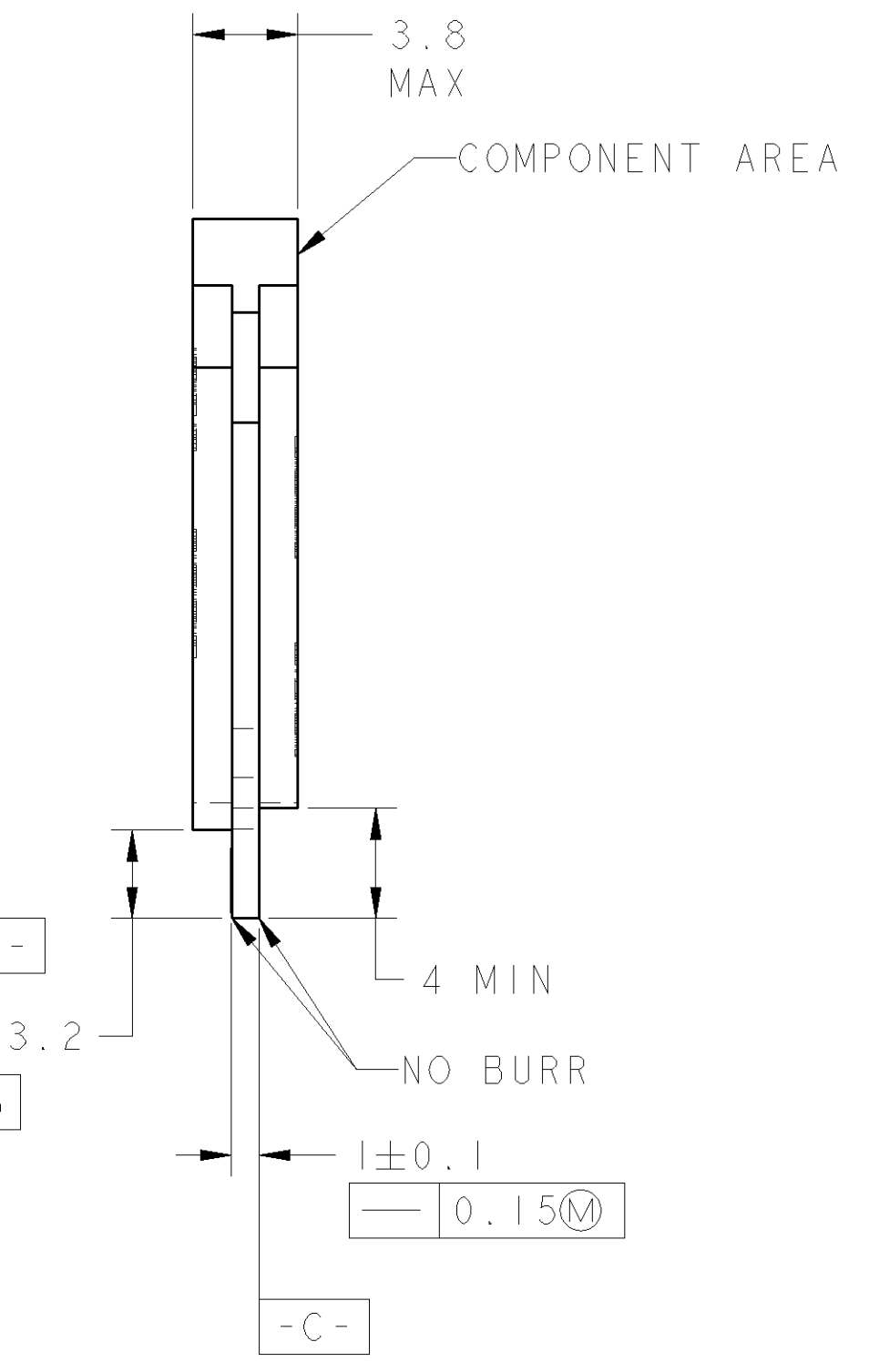
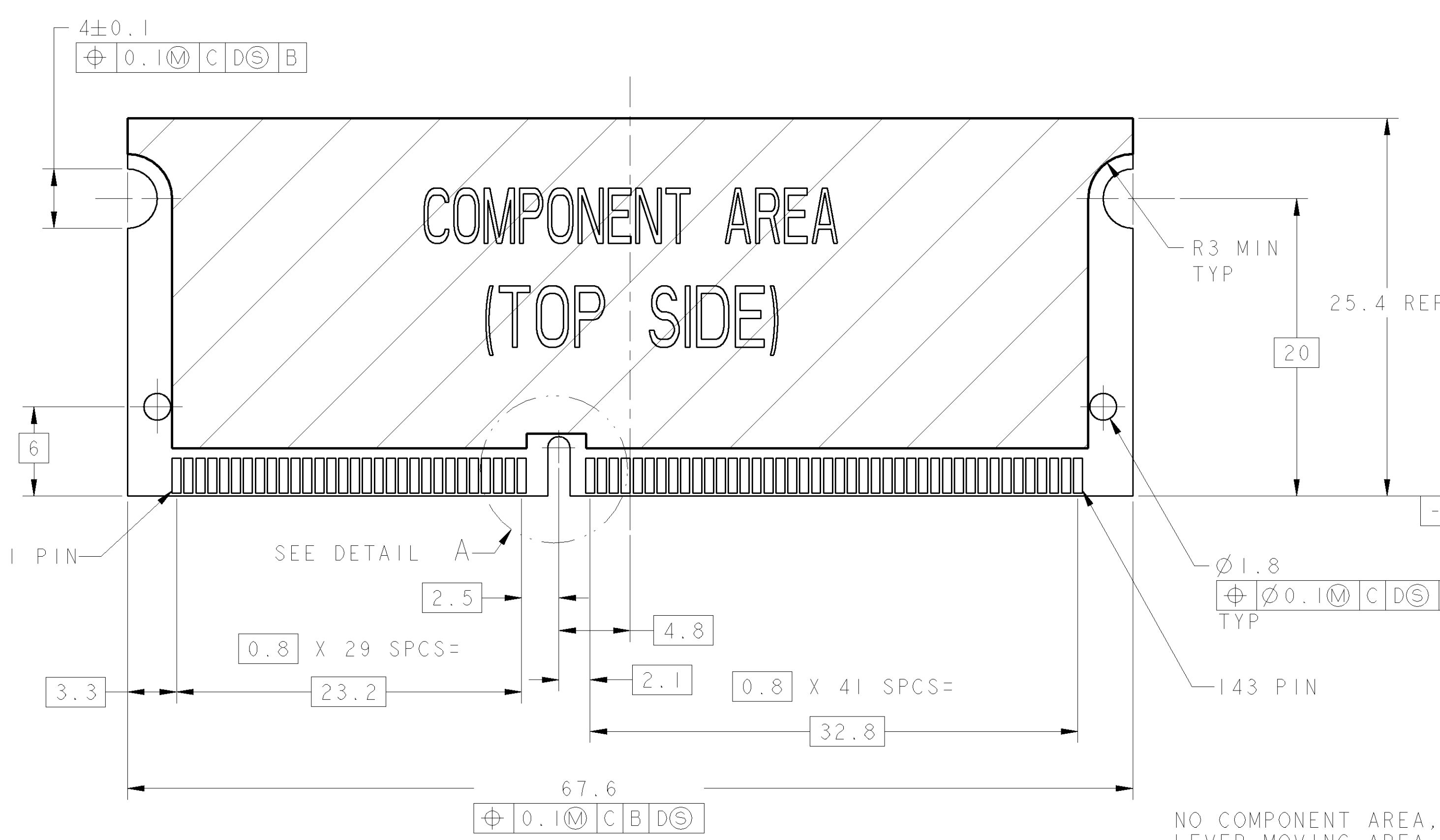
SECTION Y-Y
 ROTATED 90° CCW
 SCALE 8:1

DETAIL B
 SCALE 8:1

SUPERSEDED BY	REMARKS	FINISH	POWER SUPPLY	POS	PART NUMBER
NIL	AVAILABLE	2	DRAM 3.3V	144	6-390113-1 6
3-390113-1	NOT AVAILABLE	5	DRAM 3.3V	144	3-390113-4 4
NIL	AVAILABLE	2	DRAM 3.3V	144	3-390113-1 4
390113-1	NOT AVAILABLE	5	DRAM 3.3V	144	390113-4
NIL	AVAILABLE	2	DRAM 3.3V	144	390113-1

<small>THIS DRAWING IS A CONTROLLED DOCUMENT FOR AMP INCORPORATED. ALL INFORMATION CONTAINED HEREIN IS UNCLASSIFIED UNLESS INDICATED OTHERWISE. ORGANIZATION SHOULD BE CONTACTED FOR THE LATEST REVISION.</small>		DWN: W. SORAH 6-20-97 CDR: R. TALLEY 6-20-97	AMP MANUFACTURING (SINGAPORE) PTE. LTD.
DIMENSIONS: mm 	TOLERANCES UNLESS OTHERWISE SPECIFIED: 0 PLC ±0.2 1 PLC ±0.2 2 PLC ±0.2 3 PLC ±0.2 4 PLC ±0.2 ANGLES ±°	APD: SE LEONG PRODUCT SPEC: - APPLICATION SPEC: - FINISH: SEE TABLE	NAME: 3.0 DIMM SOCKET, 0.8mm PITCH, 3.3V, 144 POSITION, STD PROFILE FOR SDRAM TYPE MODULE SIZE: A1 CAGE CODE: 00779 DRAWING NO: C-390113
MATERIAL:		WEIGHT: - CUSTOMER DRAWING	SCALE: 4:1 SHEET: 1 OF 2 REV: K

LOC		DIST		REVISIONS			
NO	DATE	BY	CHK	DESCRIPTION	DATE	DNM	APRD
-	-	-	-	SEE SHEET 1	-	-	-



RECOMMENDED P.C. BOARD PATTERN LAYOUT (CONNECTOR MOUNTING SIDE)

DIMENSIONS: mm		TOLERANCES UNLESS OTHERWISE SPECIFIED:		DWN: W. SORAH 6-20-97		AMP MANUFACTURING (SINGAPORE) PTE. LTD.	
0 PLC ±0.2		1 PLC ±0.2		CHK: R. TALLEY 6-20-97		NAME: S.O. DIMM SOCKET, 0.8mm PITCH, 3.3V, 144 POSITION, STD PROFILE FOR SDRAM TYPE MODULE	
2 PLC ±0.2		3 PLC ±0.2		APRD: SE LEONG		PRODUCT SPEC	
4 PLC ±0.2		5 PLC ±0.2		APPLICATION SPEC		SIZE: CAGE CODE: DRAWING NO: RESTRICTED TO	
MATERIAL: FINISH: SEE TABLE		WEIGHT: -		A1 00779 C-390113		SCALE: 4:1 SHEET 2 OF 2 REV K	
CUSTOMER DRAWING							