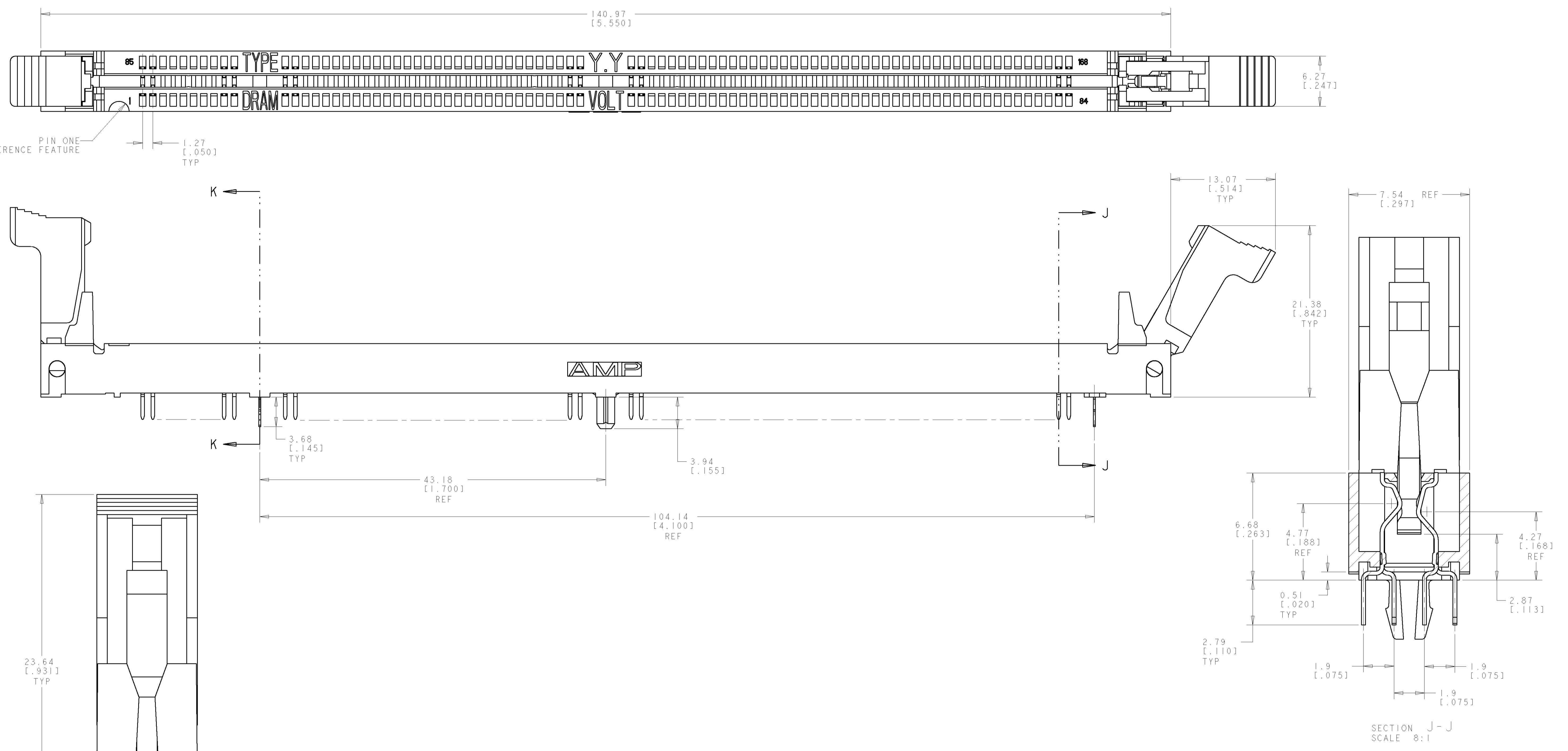


LOC	DIST	REVISIONS			
F	LTW	DESCRIPTION	DATE	DWN	APPD
B		REVISED PER 0440-0115-97	11NOV97	AH	DS
C		REVISED PER 0440-0124-97	02MAR98	AH	DS
D		REVISED PER 0650-0253-98	27OCT98	AH	DS
E		OBSOLETE: -5 AND -6 PER EC OS1D-0044-00	18JAN2002	DLD	DJS



- △ FOR OPTIMUM PERFORMANCE, CONTACT PAD PLATING SHOULD BE SMOOTH AND FLAT, COPPER CONTACT PADS ARE TO BE OVERPLATED WITH 0.00127[0.00050] MIN THK NICKEL FOLLOWED WITH 0.00102[0.00040] MIN THK GOLD PLATING.
- △ CONTACT MATING AREA: GOLD FLASH ON PALLADIUM-NICKEL 0.00051[0.00020] MIN THICK. SOLDER TAILS: 0.00381[0.000150] MIN THK TIN-LEAD UNDERPLATE: 0.00127 [0.00050] MIN THK NICKEL OVER ENTIRE CONTACT.
- △ MATERIAL: HOUSING AND EXTRACTORS: GLASS FILLED, HIGH TEMPERATURE NYLON. CONTACTS: PHOS BRONZE

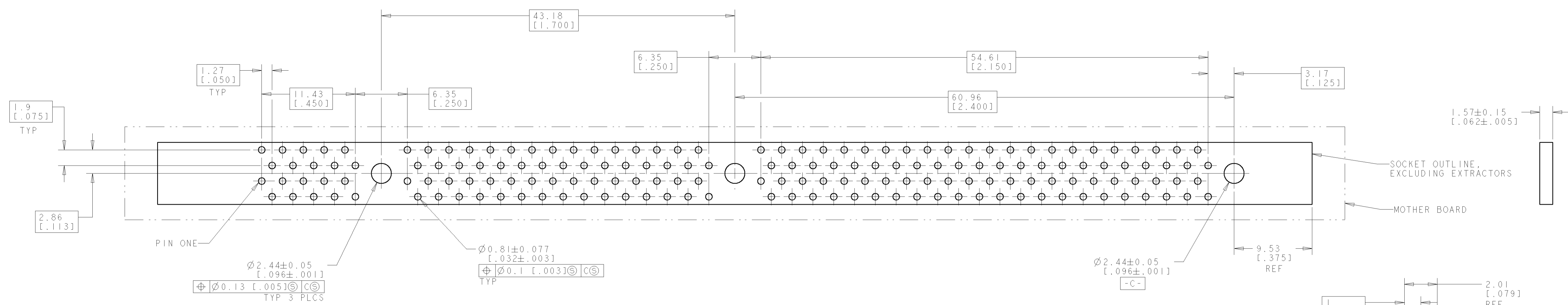
DETAIL C	DETAIL A	NON-BUFFERED DRAM, 3.3 VOLT	382983-6	OBSOLETE
DETAIL B	DETAIL A	SYNC DRAM, 3.3 VOLT	382983-5	OBSOLETE
DETAIL A	DETAIL A	STD DRAM, 3.3 VOLT	382983-4	
DETAIL A	DETAIL B	STD DRAM, 5 VOLT	382983-1	
KEY #1	KEY #2	PART DESCRIPTION	PART NUMBER	

SECTION K-K
SCALE 8:1

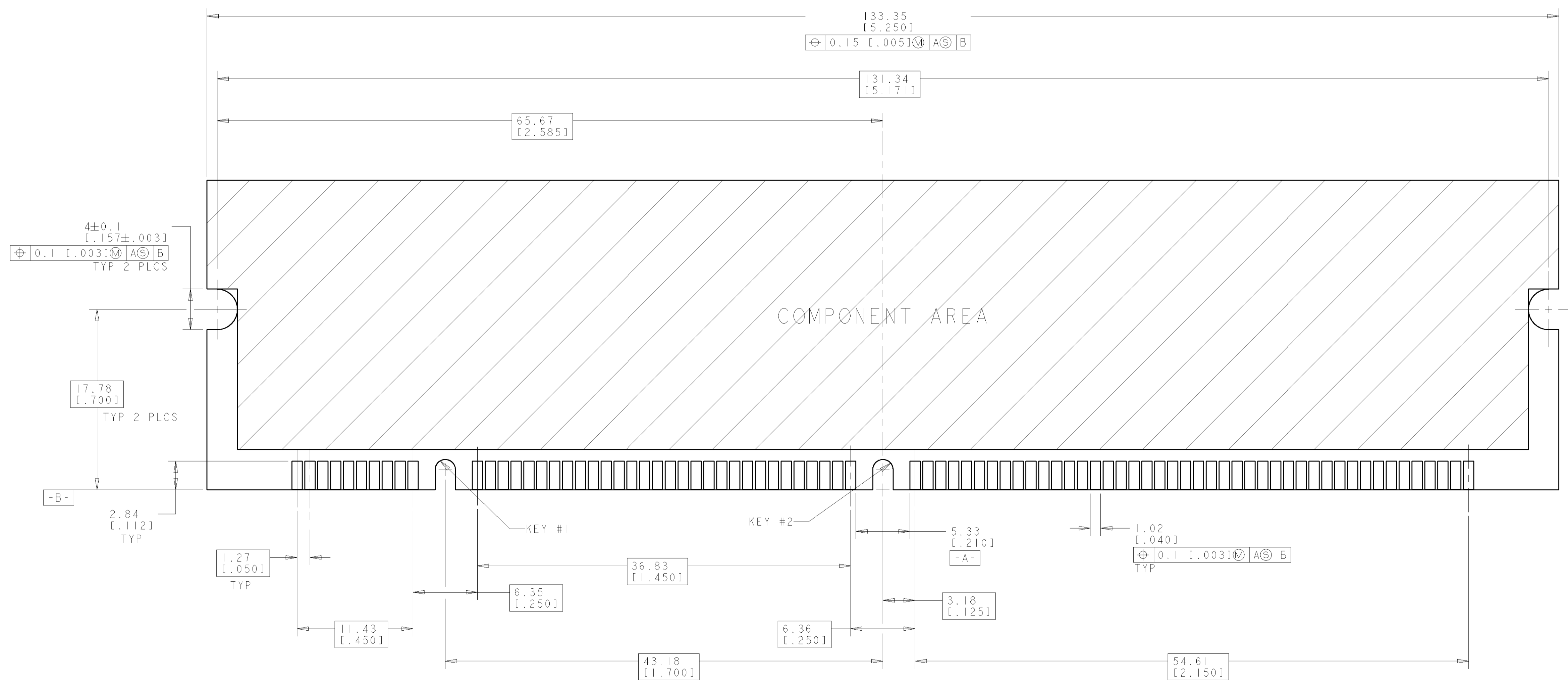
<small>THIS DRAWING IS A CONTROLLED DOCUMENT FOR AMP INCORPORATED. ALL CHANGES TO THIS DRAWING ARE THE PROPERTY OF AMP INCORPORATED. ORGANIZATION SHOULD BE CONTACTED FOR THE LATEST REVISION.</small>		DWN: W. SORAH 26-APR-96 ENR: R. TALLEY 26-APR-96 APPD: G. HOWELL 26-APR-96	AMP AMP Incorporated Harrisburg, PA 17105-3608
DIMENSIONS: mm [INCHES]	TOLERANCES UNLESS OTHERWISE SPECIFIED: 0 PLC ± 1 PLC ±0.13 [0.005] 2 PLC ± 3 PLC ± 4 PLC ± ANGLES ±1°	NAME: SOCKET ASSY, DUAL READ-OUT, VERSION 11, 8 BYTE, 168 POSITION PRODUCT SPEC: APPLICATION SPEC: WEIGHT:	SIZE: A1 CAGE CODE: 00779 DRAWING NO: 382983
MATERIAL	FINISH	WEIGHT	SCALE: 4:1 SHEET 1 OF 2 REV F

LOC	DIST	REV	DATE	BY	APPD
AG	53				

REVISIONS			
REV	DATE	BY	APPD
-	-	-	-
-	-	-	-

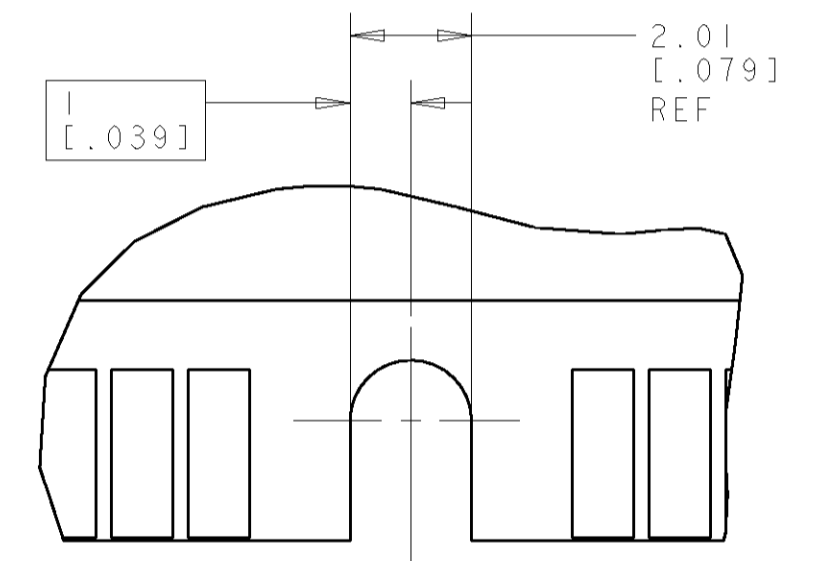


RECOMMENDED CIRCUIT BOARD HOLE LAYOUT

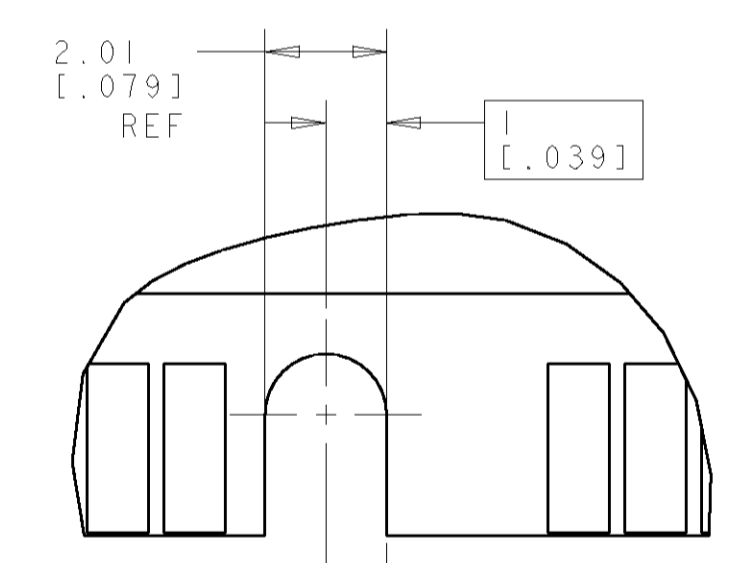


RECOMMENDED MODULE LAYOUT

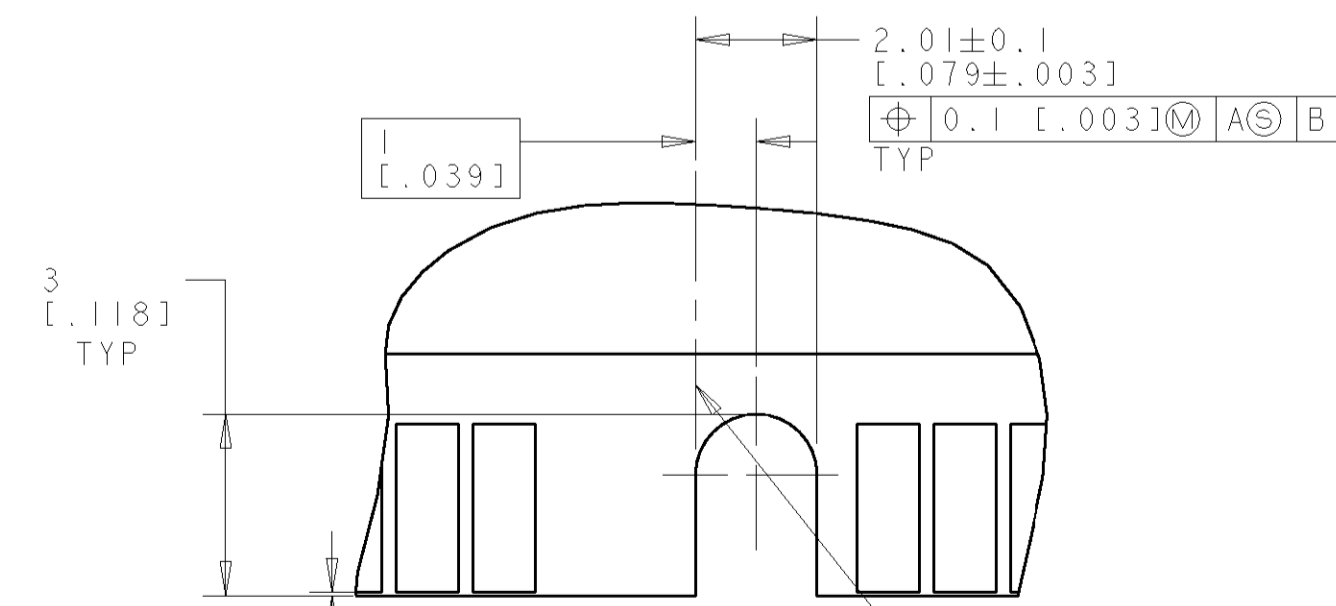
SEE JEDEC SPEC. MO-161 FOR COMPLETE MODULE DETAILS
 1.27±0.10 [0.050±.004] THICK ACROSS CONTACT PADS



DETAIL A
SCALE 8:1



DETAIL B
SCALE 8:1



DETAIL C
SCALE 8:1

<small>THIS DRAWING IS A CONTROLLED DOCUMENT FOR AMP INCORPORATED. ALL CHANGES TO THIS DRAWING MUST BE CONTROLLED BY THE QUALIFICATION SHOULD BE CONTACTED FOR THE LATEST REVISION.</small>		DWN: W. SORAH 26-APR-96 ENR: R. TALLEY 26-APR-96 APD: G. HOWELL 26-APR-96	AMP Incorporated Harrisburg, PA 17105-3608
DIMENSIONS: mm [INCHES]	TOLERANCES UNLESS OTHERWISE SPECIFIED: 0 PLC ± 1 PLC ± 2 PLC ±0.13 [0.005] 3 PLC ± 4 PLC ± ANGLES ±1°	NAME: SOCKET ASSY, DUAL READ-OUT, VERSION 11, 8 BYTE, 168 POSITION PRODUCT SPEC: APPLICATION SPEC: SIZE: A1 CAGE CODE: 00779 DRAWING NO: C-382983	CUSTOMER DRAWING SCALE: 4:1 SHEET: 2 OF 2 REV: F