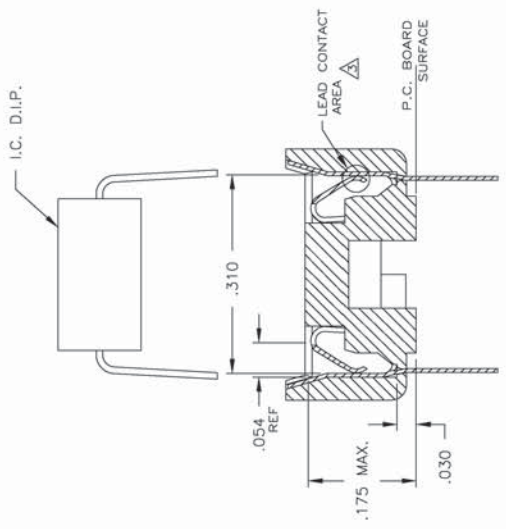
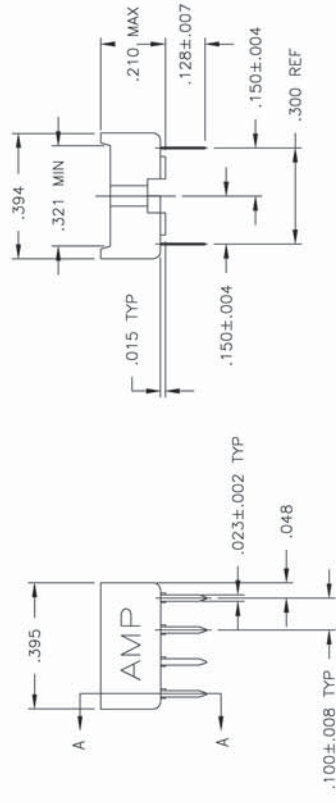
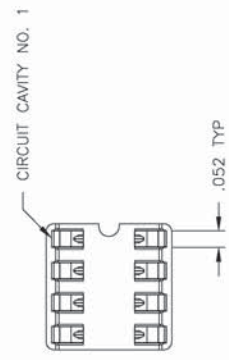
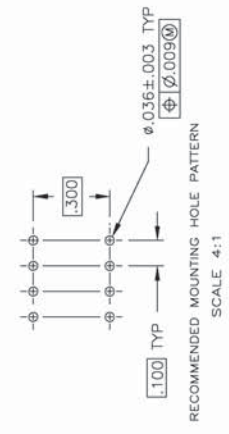


1. RECEPTACLE ACCEPTS A .008-.014 THICK I.C. LEAD.
2. TUBE LOADED.

△ TWO .000030 MIN THK. GOLD STRIPES IN CONTACT AREA WITH TIN-LEAD (93/7) ON CONTACT LEGS, BALANCE OF CONTACT NICKEL PLATED.



SECTION A-A
 SCALE 10:1



OBsolete	TINNED	PHOS. BRZ	BROWN GLASS-FILLED PCT	2-382462-4
	TINNED	BE.CU.	BROWN GLASS-FILLED PCT	2-382462-3
			BROWN GLASS-FILLED PCT	2-382462-1
			HOUSING MATERIAL	PART NO.

THIS DRAWING IS A CONTROLLED DOCUMENT. SEE TABLE FOR REVISIONS.

REVISIONS	DATE	BY	CHKD
1	10/79	K	RB

AMP
 Type Electronics Corporation
 Harrisburg, PA 17105

SOCKET ASSY, DIP, HT, 8 POS.
 DIPLOMATE™ DL

100798-382462