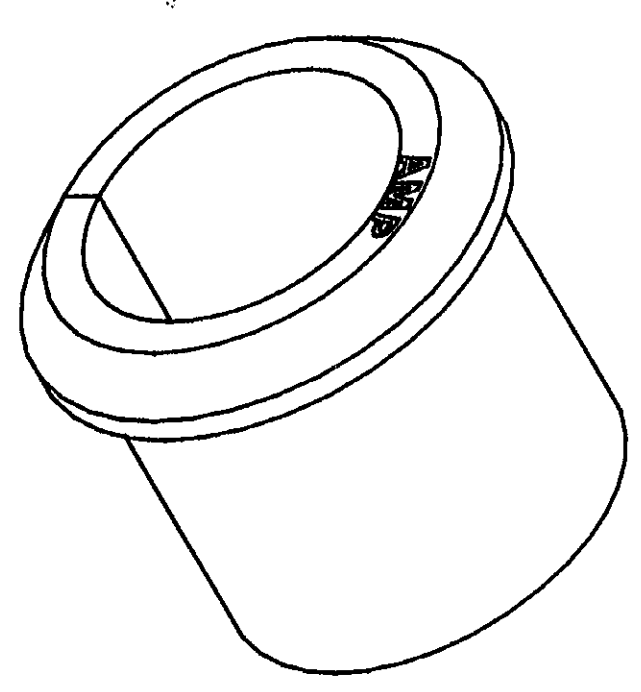
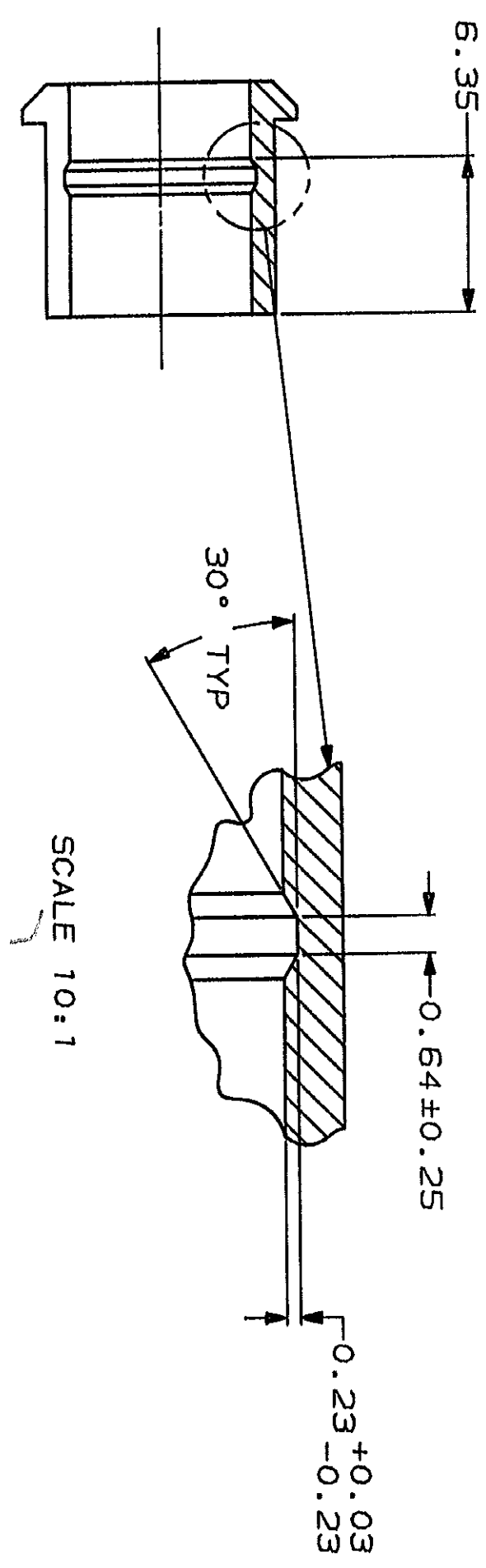
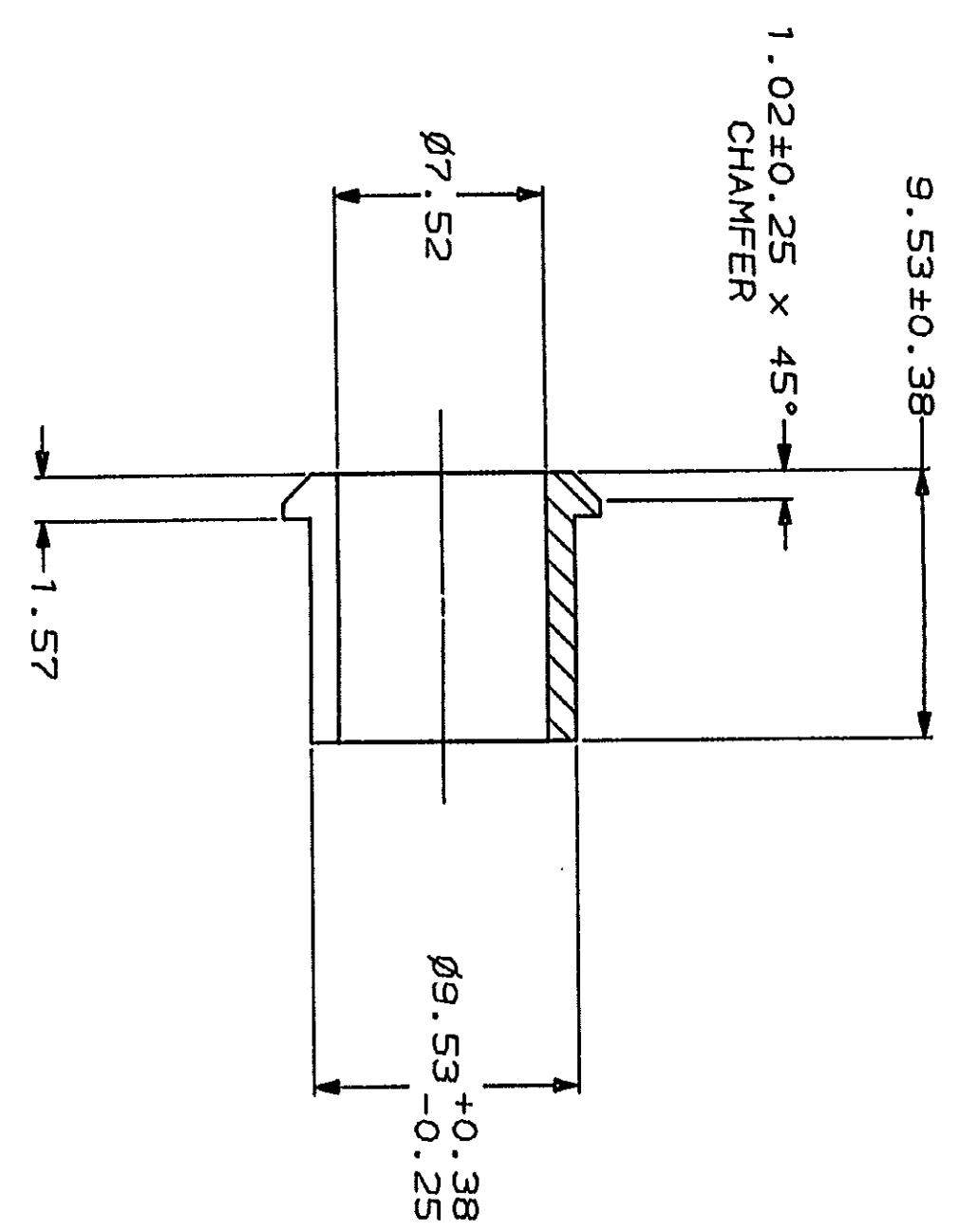
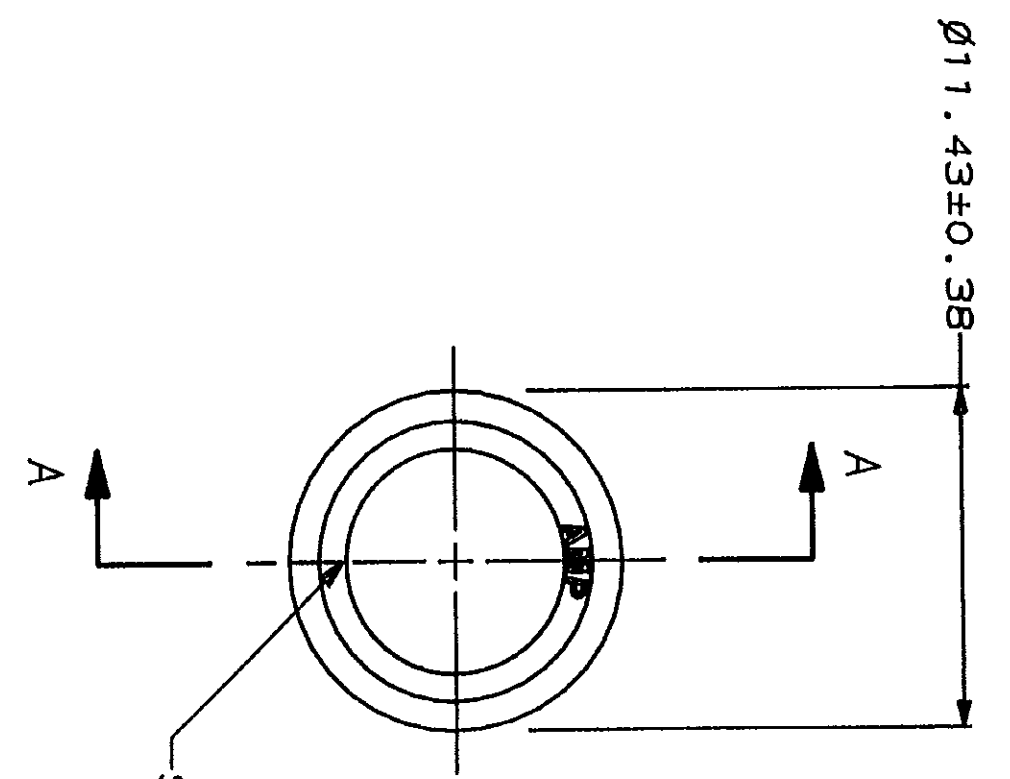


REVISIONS		DESCRIPTION	DATE	APPD
1	D	REDWN AND REV PER ECN CM-2599	12-8-89	RS



3-DIMENSIONAL MODEL
NTS

MM	IN	MM	IN	MM	IN
0.25	.010	1.57	.062	11.43	.450
0.23	.009	1.02	.040	9.53	.375
0.13	.005	0.64	.025	7.52	.296
0.03	.001	0.38	.015	6.35	.250

CONVERSION TABLE



DO NOT SCALE PRINT.
 UNLESS SPECIFIED (INCHES)
 DIMENSIONS IN MM (MILLIMETERS)
 TOLERANCES IN MM:
 2 PLC DEC ± 0.13
 3 PLC DEC ± 0.13
 ANGLES ± 1.0°

DR: *[Signature]* 12-8-89
 CHG: *[Signature]* 12-8-89
 APPD: *[Signature]* 12-11-89

NAME: GROMMET, SPLIT, M.R.
 AMP INCORPORATED
 Morrisburg, Pa. 17105

1-350375-0
PART NO

SIZE: C
 CAGE CODE: 00779
 DRAWING NO: 350375

SCALE: 4:1
 SHEET: 1 OF 1

CUSTOMER DRAWING

350375