

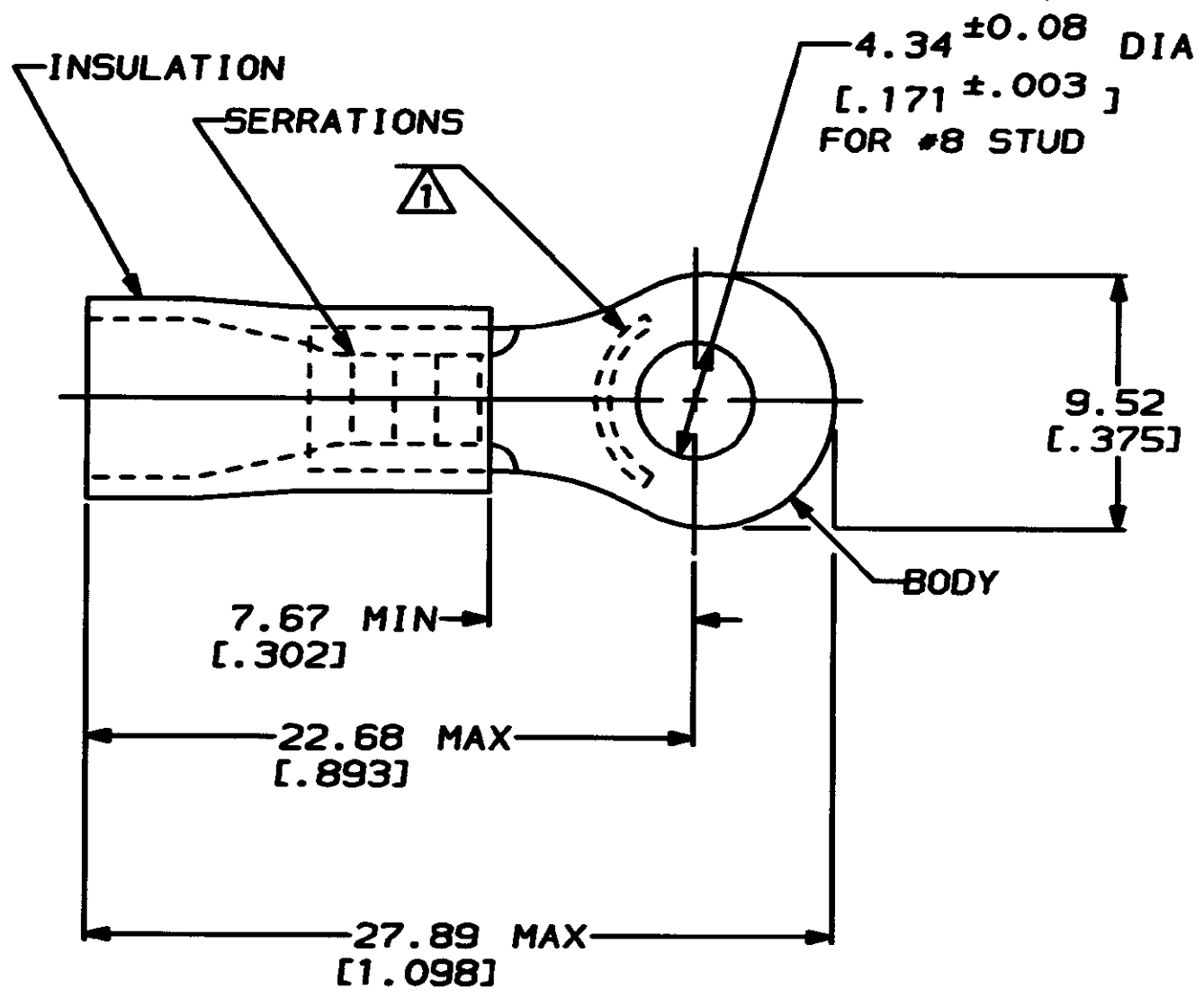
DRAWING MADE IN THIRD ANGLE PROJECTION

THIS DRAWING IS UNPUBLISHED. RELEASED FOR PUBLICATION ,19 .
 © COPYRIGHT 19 BY AMP INCORPORATED. ALL INTERNATIONAL RIGHTS RESERVED.

LOC	DIST	ZONE	LTR	REVISIONS	DATE	APPD
G	14		F	REV / 0720-0071-93	5/89	ME

AMP WIRE RANGE	Listed	Certified
12-10 AWG SOLID OR STRANDED	12-10 AWG SOLID OR STRANDED	12-10 AWG SOLID OR STRANDED

METRIC
 DIMENSIONS LISTED IN mm [INCHES]



- 1 STAMP AMP 12-10* APPROX AS SHOWN
- 2 WIRE INSULATION DIA: .150-.230
- 3 TONGUE MATERIAL THK: 1.02±0.05 [.040±.002]

50	LOOSE PC, BOX	8-34169-2
2500	ON TAPE, REEL	2-34169-1
-	LOOSE PIECE	34169
QUANTITY	PACKAGE TYPE	PART NO

AMP INCORPORATED
CUSTOMER SERVICE SYSTEMS

FOR ADDITIONAL PRODUCT INFORMATION OR COPIES OF DRAWINGS AND TECHNICAL DOCUMENTS	PRODUCT INFORMATION CENTER 1-800-522-6752
FOR APPLICATION TOOLING INFORMATION	TOOLING ASSISTANCE CENTER 1-800-722-1111
FOR ORDER ENTRY	1-800-526-5142

MAX RECOMMENDED OPERATING TEMPERATURE:
 90°C MAX

VOLTAGE RATING:
 NOT APPLICABLE

CIRCULAR MIL AREA:
 2.62-6.64mm² [5, 180-13, 100]
 SOLID OR STRANDED

DO NOT SCALE PRINT. UNLESS SPECIFIED DIMENSIONS ON DIMENSIONED TOLERANCES ON:
 2 PLC DEC ± 0.20(.008)
 3 PLC DEC ± -
 ANGLES ± -

MATERIAL
 COPPER PER ASTM B-152
 PVC COLOR: YELLOW

FINISH
 TIN PLATE
 PER MIL-T-10727

OR 68/62/32 BK SCREEN
 CHK 11/16/92 RE HERSEY
 APPD 11/16/92 IL ELLIS
 APPD 11/16/92 H SHENBA

PRODUCT SPEC
 108-1034

APPLICATION SPEC
 NOT AVAILABLE

WEIGHT -

AMP AMP Incorporated
 Harrisburg, PA 17105-3608

NAME
 TERMINAL, RING TONGUE, PLASTI-GRIP™

SIZE	CAGE CODE	DRAWING NO
B	00779	C-34169
SCALE	SHEET	
4:1	1 OF 1	

THIS DRAWING IS A CONTROLLED DOCUMENT FOR AMP INCORPORATED. IT IS SUBJECT TO CHANGE AND THE CONTROLLING ENGINEERING ORGANIZATION SHOULD BE CONTACTED FOR THE LATEST REVISION.