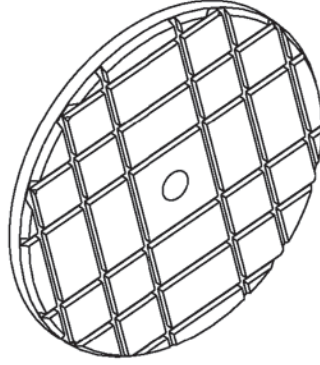
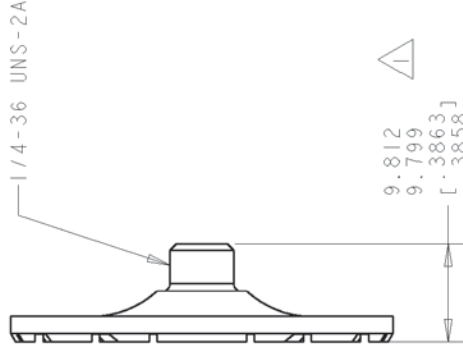
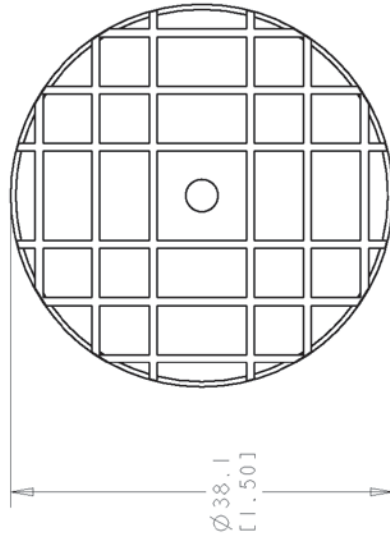


THIS DRAWING IS UNPUBLISHED.
BY AMP INCORPORATED. ALL RIGHTS RESERVED.

LOC	CE 116	REVISED PER 0A00-0803-99	DATE	DWN	APVD
P	LTR				
F			17SEP99	TG	SB

⚠ 9.799-9.812 [.3858-.3863] THIS DIMENSION WILL CHANGE WITH WARE. VERIFY BEFORE USE. USE OF BUSHING NOT MEETING THIS SPECIFICATION MAY RESULT IN FERRULE LENGTH NOT MEETING STANDARD FSMA REQUIREMENTS.



<small>THIS DRAWING IS A CONTROLLED DOCUMENT FOR AMP INCORPORATED. IT IS SUBJECT TO CHANGE AND THE CONTROLLING ENGINEERING ORGANIZATION SHOULD BE CONTACTED FOR THE LATEST REVISION.</small>		AMP AMP Incorporated Harrisburg, PA 17105-3608
DIMENSIONS: mm [INCHES]	TOLERANCES UNLESS OTHERWISE SPECIFIED: 0 PLC ± .31(01) 1 PLC ± .31 2 PLC ± .31 3 PLC ± .31 ANGLES ± .5° FINISH -	NAME BUSHING, POLISHING, FSMA, OPTIMATE
MATERIAL SST	APPLICATION SPEC - PRODUCT SPEC - WEIGHT -	SIZE CAGE CODE DRAWING NO A3 00779 C-228025
UNL I. GREEN USEP99 CHR S. BUCHTER USEP99 APP'D S. BUCHTER USEP99	PART NUMBER 228025-1	RESTRICTED TO -
CUSTOMER DRAWING		SCALE 2:1 SHEET 1 OF 1 REV F