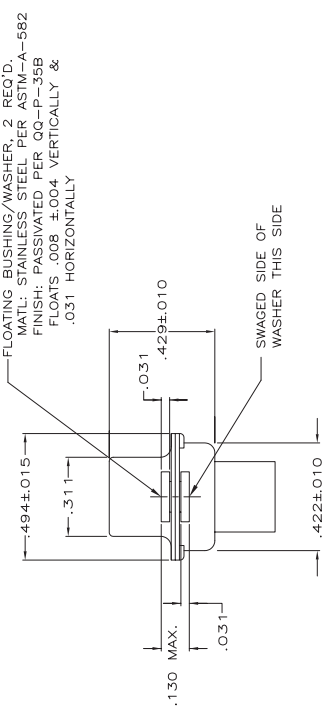
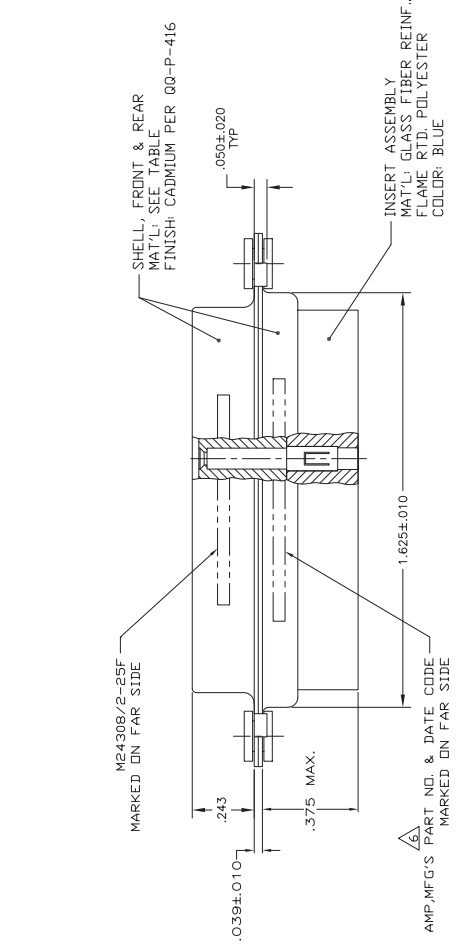
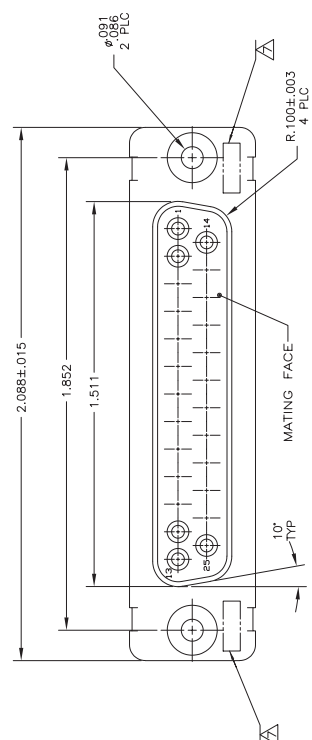


REV	DATE	BY	CHK	DESCRIPTION
1	6-4-09	CT	RL	REV PER ECO 09-012398



- THIS RCPT. IS DESIGNED TO CONFORM TO THE LATEST ISSUE OF MIL-C-24308
  - MAX WIRE INSUL TO BE USED WITH THIS RCPT IS .068 DIA
  - STAINLESS STEEL RETENTION CLIPS ARE INCLUDED IN INSERTS
  - PACKAGE STAMPED M24308/2-29AF
  - THIS RCPT WILL ACCEPT SIZE 20 SOCKET CONTACT
- M24308/10 DR TE # 205090  
MFG'S PART NO. STAMPED ON CONNECTOR REPRESENTS KIT NUMBER WITH CONTACTS  
UL/CSA DESIGNATION STAMPED IN THIS AREA.

OBSOLETE	BRASS	205418-2
	STEEL PER ASTM-A-109	205418-1
	SHELL MATERIAL	PART NO.

THIS DRAWING IS A CONTROLLED DOCUMENT.		Type Electronics Corporation Harrisburg, PA 17105-3005	
DATE	BY	DATE	BY
6-4-09	CT	6-4-09	RL
CLASSIFIED BY	UNCLASSIFIED BY	CLASSIFIED BY	UNCLASSIFIED BY
REVISION	DATE	BY	CHK
1	6-4-09	CT	RL
DESCRIPTION		RCPT. ASSY. AMP/LITE/25 POSN./SIZE 3, SERIES 109M/DUAL FLOATING BUSHINGS	
MATERIAL		BRASS	
PART NO.		A100779 © 205418	
REVISION		1	
DATE		6-4-09	
BY		CT	
CHK		RL	