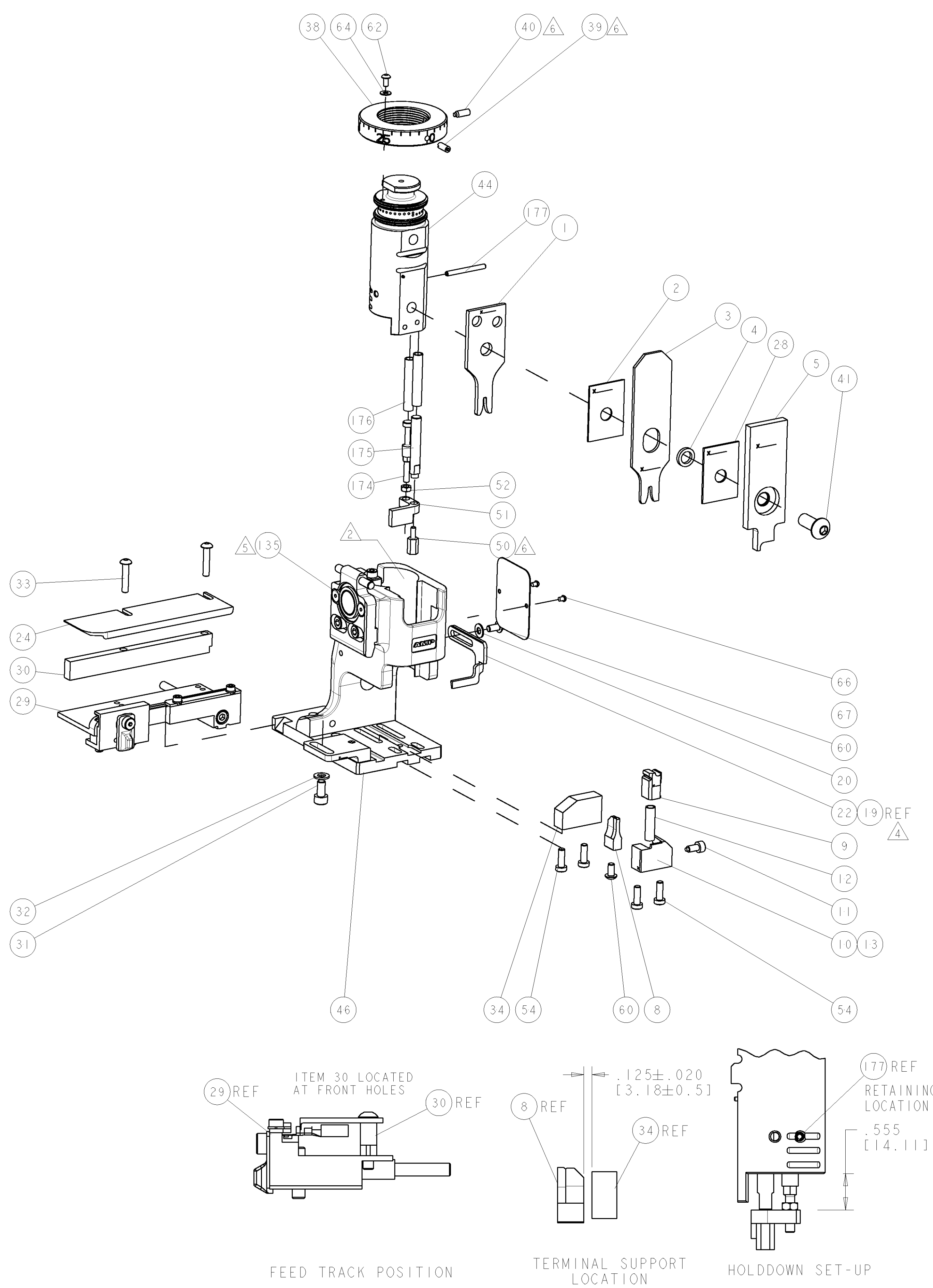


PART NUMBER	REV	DESCRIPTION	PROGRAMMED MEMORY CHIP
1911017-1	C	CUTS CARRIER	8-1911017-1
1911017-6	C	CONTINUOUS CARRIER	8-1911017-6
7-1911017-1	C	-1 AND SPARE PARTS	9-1911017-1
7-1911017-6	C	-6 AND SPARE PARTS	9-1911017-6
7-1911017-7	B	SPARE PARTS KIT	-

APPLICATOR DATA		
CRIMP	SIZE	TYPE
WIRE	.080 [2.03mm]	F
INSUL	.100 [2.54mm]	OV
APPL INSTRUCTIONS 408-10135		

TERMINAL DATA:	TE TERMINAL	TYCO ELECTRONICS CRIMP SPEC	
TERMINAL NAME:	AMP MCP2.8 FLAT TYPE RECEPTACLE		
WIRE STRIP LENGTH		INSULATION DIAMETER RANGE	
.157-.181 [4.0-4.6mm]		.055-.083 [1.40-2.10mm]	
TERMINAL APPL SPEC	114-18148 (A)	-	
	114-18144 (B)	-	
TERMINALS APPLIED			
1-968849-1 (A)	1-968849-2 (A)	1-968849-3 (A)	967702-1 (B)
967702-2 (B)	967705-1 (B)	967705-2 (B)	-

WIRE SIZE	CRIMP HEIGHT
1mm <sup>2</sup>	.054±.002 [1.36±.05]
0.75mm <sup>2</sup>	.050±.002 [1.27±.05]
0.5mm <sup>2</sup>	.046±.002 [1.18±.05]



- △ RECOMMENDED SPARE PARTS.
- △ GREASE BEARING SURFACES LIGHTLY.
- 3. LUBRICATE DAILY PER THE APPLICATOR INSTRUCTION SHEET SUPPLIED WITH THE APPLICATOR.
- △ ITEM 19 - OPTIONAL STRIPPER FOR BENCH MACHINE APPLICATIONS.
- △ APPLICATOR SPECIFIC DATA TO BE ENTERED INTO BLANK MEMORY CHIP AT ASSEMBLY.
- △ APPLY P/N 1-23419-5 LOCTITE(R) TO THREADS.

FEED FINGER	SET UP GAGE	LOC	DIST	REVISONS					
1901694-1	1901040-1	A	66	P	LTR	DESCRIPTION	DATE	DWN	APVD
				C1		ECR-08-032300	18DEC2008	MY	TE

QTY	REV	REV	REV	REV	PART NO	DESCRIPTION	ITEM NO
-	1	1	1	1	1-993111-6	PIN, SLOTTED SPRING 3.0 X 30.0	177
-	2	2	2	2	3-22280-7	SPRING, COMPRESSION	176
-	1	1	1	1	1752353-1	GUIDE PIN, HOLDDOWN	175
-	1	1	1	1	1901680-1	GUIDE PIN, HOLDDOWN	174
-	REF	REF	REF	REF	SEE TABLE	MEMORY CHIP, PROGRAMMED	135
-	1	1	1	1	1633565-1	DOCUMENTATION PACKAGE S111	71
-	1	1	1	1	1901048-1	TAG, IDENTIFICATION	67
-	2	2	2	2	21017-1	SCREW, DRIVE	66
-	1	1	1	1	18028-1	WASHER, FLAT, REG M3	64
-	1	1	1	1	1655785-9	SCR, BTN SKT HD CAP (M3 X 6)	62
-	2	2	2	2	1655785-1	SCR, BTN SKT HD CAP (M4 X 8)	60
-	4	4	4	4	1655783-3	SCR, CAP, SOC HD, LOW HEAD, M4 X 12	54
-	1	1	1	1	1-18030-0	NUT, HEX, REG M3.5	52
-	1	1	1	1	1901681-1	HOLDDOWN, TERMINAL	51
-	1	1	1	1	2-1752354-5	STANDOFF, HOLD-DOWN	50
-	1	1	1	1	1752300-1	SF SYSTEM III APPLICATOR	46
-	1	1	1	1	1752308-1	RAM	44
-	1	1	1	1	2-1655785-2	SCR, BTN SKT HD CAP (M8 X 20)	41
-	1	1	1	1	993002-4	SCREW, SET, SFT TIP	40
-	1	1	1	1	1962043-1	PLUNGER, BALL, METRIC	39
-	1	1	1	1	1752309-1	RING, INSULATION CRIMP	38
-	1	1	1	1	1-1752356-6	SUPPORT, TERMINAL	34
-	2	2	2	2	3-1655785-3	SCR, BTN SKT HD CAP (M4 X 20)	33
-	1	1	1	1	18028-3	WASHER, FLAT, REG M5	32
-	1	1	1	1	5-1655316-3	SCR, SKT HD CAP, M5 X 10.0	31
-	1	1	1	1	1320908-1	SPACER, STRIP GUIDE	30
-	1	1	1	1	1901087-4	ASSEMBLY, STRIP GUIDE	29
-	1	1	1	1	1-455888-0	SPACER, CRIMPER	28
-	1	1	1	1	1320928-1	PLATE, STRIP GUIDE	24
-	1	1	1	1	1976045-1	STRIPPER	22
-	1	1	1	1	18028-2	WASHER, FLAT, REG M4	20
-	REF	REF	REF	REF	1752311-1	STRIPPER	19
△	1	-	1	-	1338684-1	SHEAR HOLDER, FRONT	13
-	1	1	1	1	3-22280-3	SPRING, COMPRESSION	12
-	1	1	1	1	356885-4	STOP, SHEAR	11
△	-	-	1	-	1320921-1	SHEAR HOLDER, FRONT, CUT	10
△	1	1	1	1	462006-1	FLOATING SHEAR, FRONT	9
△	1	2	2	1	1-1333204-7	ANVIL, COMBINATION	8
-	1	1	1	1	1-455889-4	DEPRESSOR, SHEAR	5
-	1	1	1	1	2-238011-2	BLOCK, CRIMPER SPACER	4
△	1	2	2	1	2-854830-4	CRIMPER, INSULATION SPECIAL	3
△	1	1	1	1	455888-8	SPACER, CRIMPER	2
△	1	2	2	1	1-456405-6	CRIMPER, WIRE PREMIUM	1