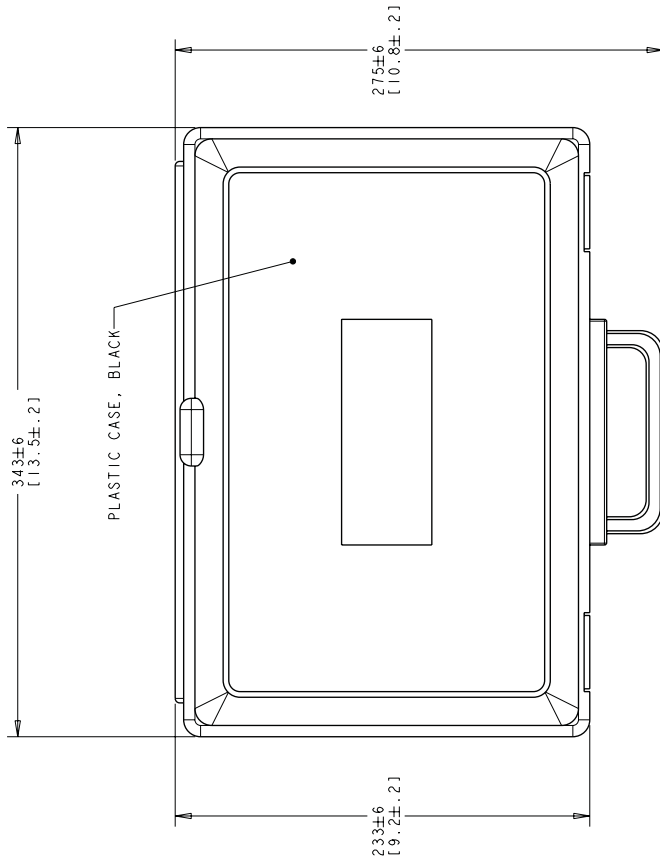
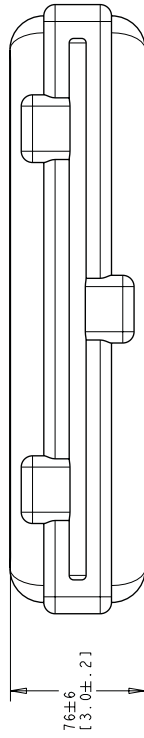
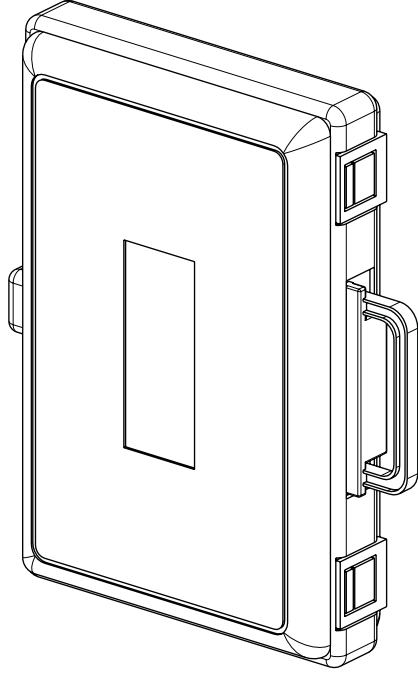


THIS DRAWING IS UNPUBLISHED.
 © COPYRIGHT 1989 BY AMP INCORPORATED. ALL RIGHTS RESERVED.

LOCK CE 00

REVOLUTIONS		DATE	BY	APP'D
1	NPR 05-766	15NOV2005	BB	DK
A	REVISE PER ECR-06-007845	07MAY2006	BB	DK
B	REVISE PER ECR-07-001527	20FEB2007	BB	DK



1. 1828869-1 INCLUDES LC TO LC SIMPLEX CABLE ASSEMBLY (2), LC TO SC SIMPLEX CABLE ASSEMBLY (2), AND DUPLEX CLIPS (6).
2. 1828869-2 INCLUDES LC TO LC SIMPLEX CABLE ASSEMBLY (2), LC TO ST SIMPLEX CABLE ASSEMBLY (2), AND DUPLEX CLIPS (6).
3. 1828869-3 INCLUDES LC TO LC CABLE ASSEMBLY (4) AND DUPLEX CLIPS (6).

OBsolete	LC SIMPLEX	1828869-6
OBsolete	ST SIMPLEX	1828869-5
OBsolete	SC SIMPLEX	1828869-4
	LC	1828869-3
	ST SIMPLEX	1828869-2
	SC SIMPLEX	1828869-1
TEST EQUIPMENT CONNECTION		
		PART NUMBER

THIS DRAWING IS UNPUBLISHED. ALL RIGHTS RESERVED. ALL DIMENSIONS UNLESS OTHERWISE SPECIFIED ARE IN INCHES.		CHG. NO.	15NOV2005	AMP Incorporated
TOLERANCES UNLESS OTHERWISE SPECIFIED:		DRW. NO.	15NOV2005	Harrisburg, PA 17105-3608
0 DIMENSIONS		DESIGNER	S. BAUGHTER	LC TEST CABLE KIT, SINGLEMODE
1 ±		PRODUCT SPEC		
2 ±		APPLICATION SPEC		
3 ±		SIZE	A2	00779
4 ±		WEIGHT		1828869
5 ±		CAGE CODE		
6 ±		FINISH		
MATERIAL		CUSTOMER DRAWING		
		SHEET _____ OF _____		