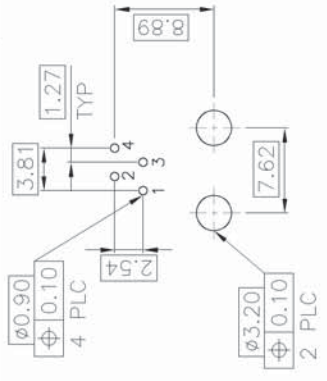


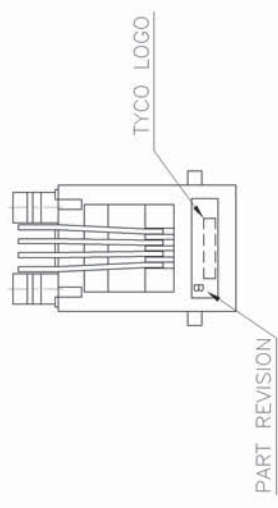
THIS DRAWING IS UNPUBLISHED.
 © COPYRIGHT BY TYCO ELECTRONICS CORPORATION. ALL RIGHTS RESERVED.

| | | | |
|------|---------|------|---|
| LOC | DW | DIST | --- |
| P | LTR | B | ADD 1-1775090-5 FOR TIGHT MATING INTERFACE ECR-06-029443 |
| DATE | 18DEC06 | | |
| DWN | OH | APVD | WK |

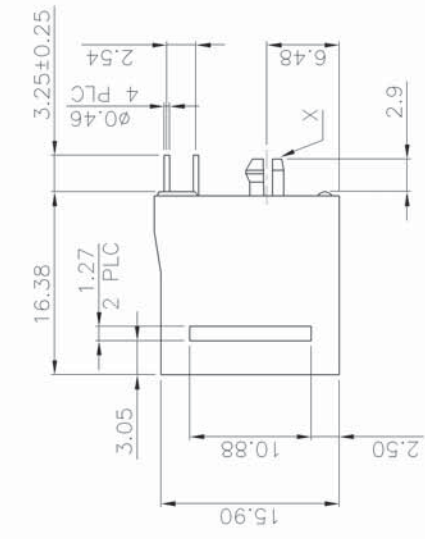
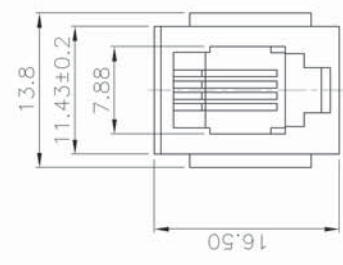
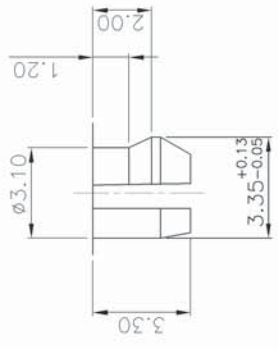
REVISIONS



RECOMMENDED PCB LAYOUT (THICKNESS: 1.6mm)
 DIMENSION TOLERANCE: 1 PLC: ±0.1 2PLC: ±0.05

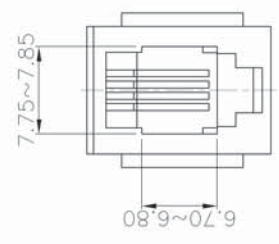
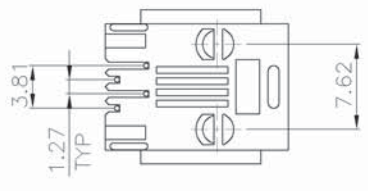


DETAIL X



NOTE:

- MATERIAL: THERMOPLASTIC (SEE TABLE), WITH 30% GF, BLACK COLOR.
CONTACTS: PHOSPHOR BRONZE.
 - FINISH: CONTACTS: (SEE TABLE) GOLD PLATED ON CONTACT AREA, WITH ENTRIC CONTACT UNDERPLATED
1.27µm [50µ"] MIN. NICKEL.
- ▲ WAVE SOLDER CAPABLE TO 240°C PER TYCO TEST SPEC. 109-202, CONDITION A.
 ▲ WAVE SOLDER CAPABLE TO 265°C PER TYCO TEST SPEC. 109-202, CONDITION B.



FOR 1-1775090-5 ONLY

| | | |
|----------|----------------|-------------|
| NYLON 46 | 0.762µm [30µ"] | 1-1775090-5 |
| | 1.37µm [50µ"] | 1-1775090-4 |
| | 0.762µm [30µ"] | 1-1775090-3 |
| | 0.381µm [15µ"] | 1-1775090-2 |
| | 0.152µm [6µ"] | 1-1775090-1 |
| PBT | 1.37µm [50µ"] | 1775090-4 |
| | 0.762µm [30µ"] | 1775090-3 |
| | 0.381µm [15µ"] | 1775090-2 |
| | 0.152µm [6µ"] | 1775090-1 |

| | | | | |
|--|--|---------------------------|---------------|-----------|
| THIS DRAWING IS A CONTROLLED DOCUMENT. | | DWN | O. HU | 08DEC2006 |
| DIMENSIONS: MM | | CHK | S. HOJ | 08DEC2006 |
| TOLERANCES UNLESS OTHERWISE SPECIFIED: | | APVD | W. J. KE | 08DEC2006 |
| 0 PLC ± 0.50 | | PRODUCT SPEC | 108-57535 | |
| 1 PLC ± 0.38 | | QUALIFICATION TEST REPORT | 501-57615 | |
| 2 PLC ± 0.25 | | WEIGHT | 2.5 GRAMS | |
| 3 PLC ± 0.10 | | FINISH | SEE NOTE | |
| 4 PLC ± | | CUSTOMER DRAWING | | |
| ANGLES ± | | DRAWING NO | | |
| FINISH ± | | A3 00779 C=1775090 | | |
| MATERIAL SEE NOTE | | SIZE | RESTRICTED TO | |
| SEE NOTE | | SCALE | --- | |
| SEE NOTE | | SHEET | 1 of 2 | |
| SEE NOTE | | REV | B | |

tyco
 Electronics

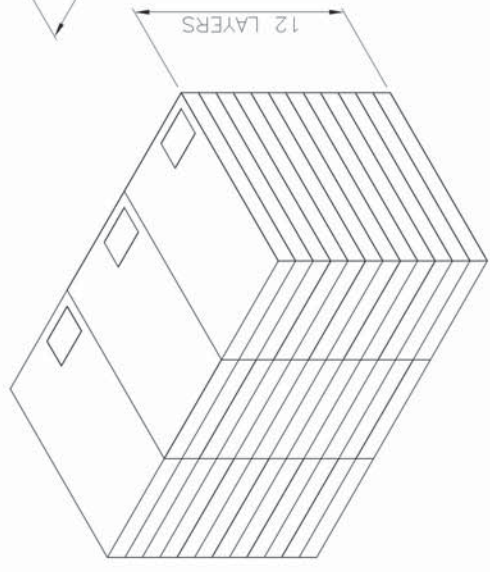
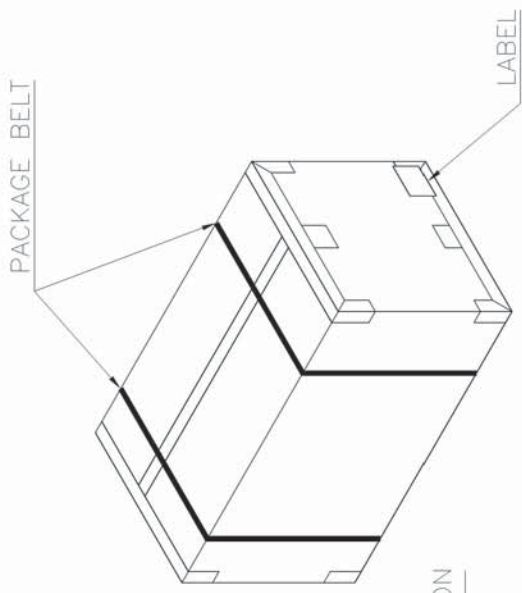
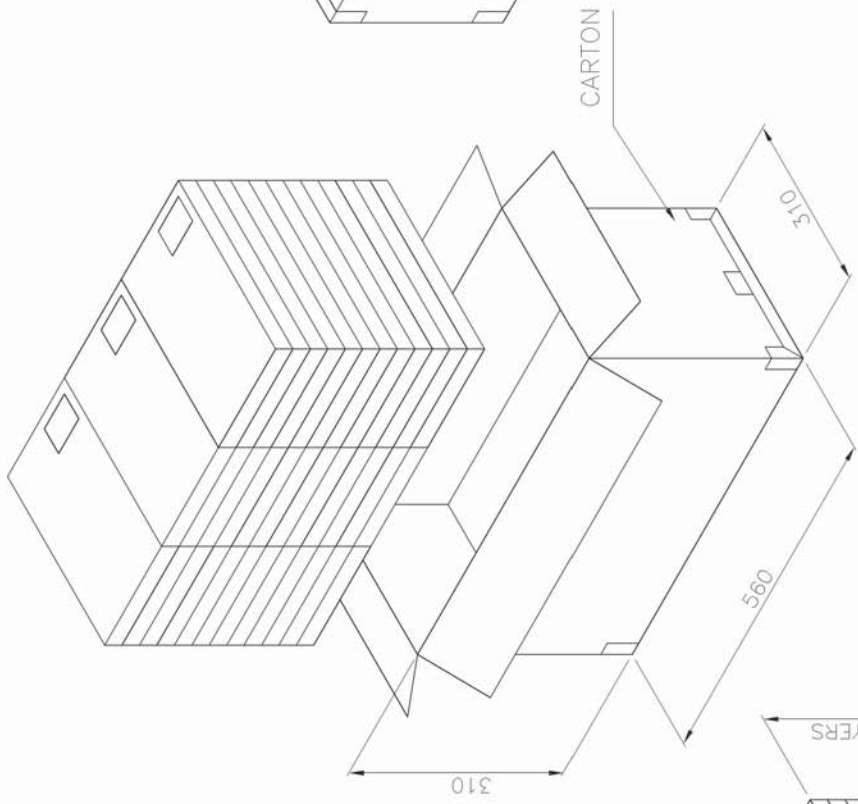
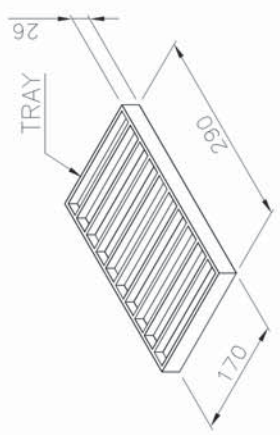
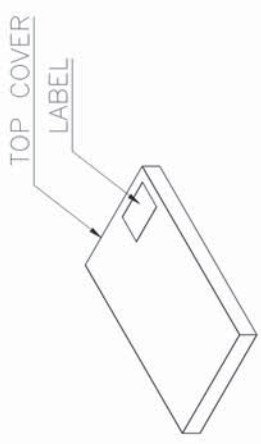
Tyco Holdings (Bermuda)
 VII Ltd. Taiwan Branch

MODULAR JACK, RJ11,
 LOW PROFILE, V/T

4 3 2 1

THIS DRAWING IS UNPUBLISHED.
 © COPYRIGHT BY TYCO ELECTRONICS CORPORATION. ALL RIGHTS RESERVED.

| | | | |
|--------------|-----|------|-----|
| LOC | DW | DIST | --- |
| REVISIONS | | | |
| P | LTR | DATE | DWN |
| SEE SHEET 1. | | | |



| | | | | |
|--------------|------------|----------|----------------|----------|
| 1.35 Kg | 10.5 Kg | 120 | 36 | 4320 PCS |
| GROSS WEIGHT | NET WEIGHT | PCS/TRAY | TRAYS / CARTON | QUANTITY |

| | | | | |
|------------------|-----------|-----------|-------------|-------------------------|
| DWN | O. HU | 08DEC2006 | tyco | Tyco Holdings (Bermuda) |
| CHK | S. HOJ | 08DEC2006 | Electronics | VII Ltd. Taiwan Branch |
| APVD | W.J.J. KE | 08DEC2006 | NAME | |
| PRODUCT SPEC | | | | |
| APPLICATION SPEC | | | | |
| WEIGHT | | | | |
| CUSTOMER DRAWING | | | | |

| | |
|--|--|
| THIS DRAWING IS A CONTROLLED DOCUMENT. | |
| DIMENSIONS: | TOLERANCES UNLESS OTHERWISE SPECIFIED: |
| MM | 0 PLC ± |
| | 1 PLC ± |
| | 2 PLC ± |
| | 3 PLC ± |
| | 4 PLC ± |
| | ANGLES ± |
| | FINISH ± |
| MATERIAL | |
| WEIGHT | |
| APPLICATION SPEC | |
| PRODUCT SPEC | |
| NAME | |
| Tyco Holdings (Bermuda) | |
| VII Ltd. Taiwan Branch | |
| MODULAR JACK, RJ11, LOW PROFILE, V/T | |
| SIZE | CAGE CODE |
| A3 | 00779 |
| DRAWING NO | |
| C=1775090 | |
| RESTRICTED TO | REV |
| --- | 2 of 2 |
| --- | B |