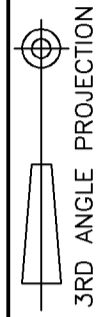
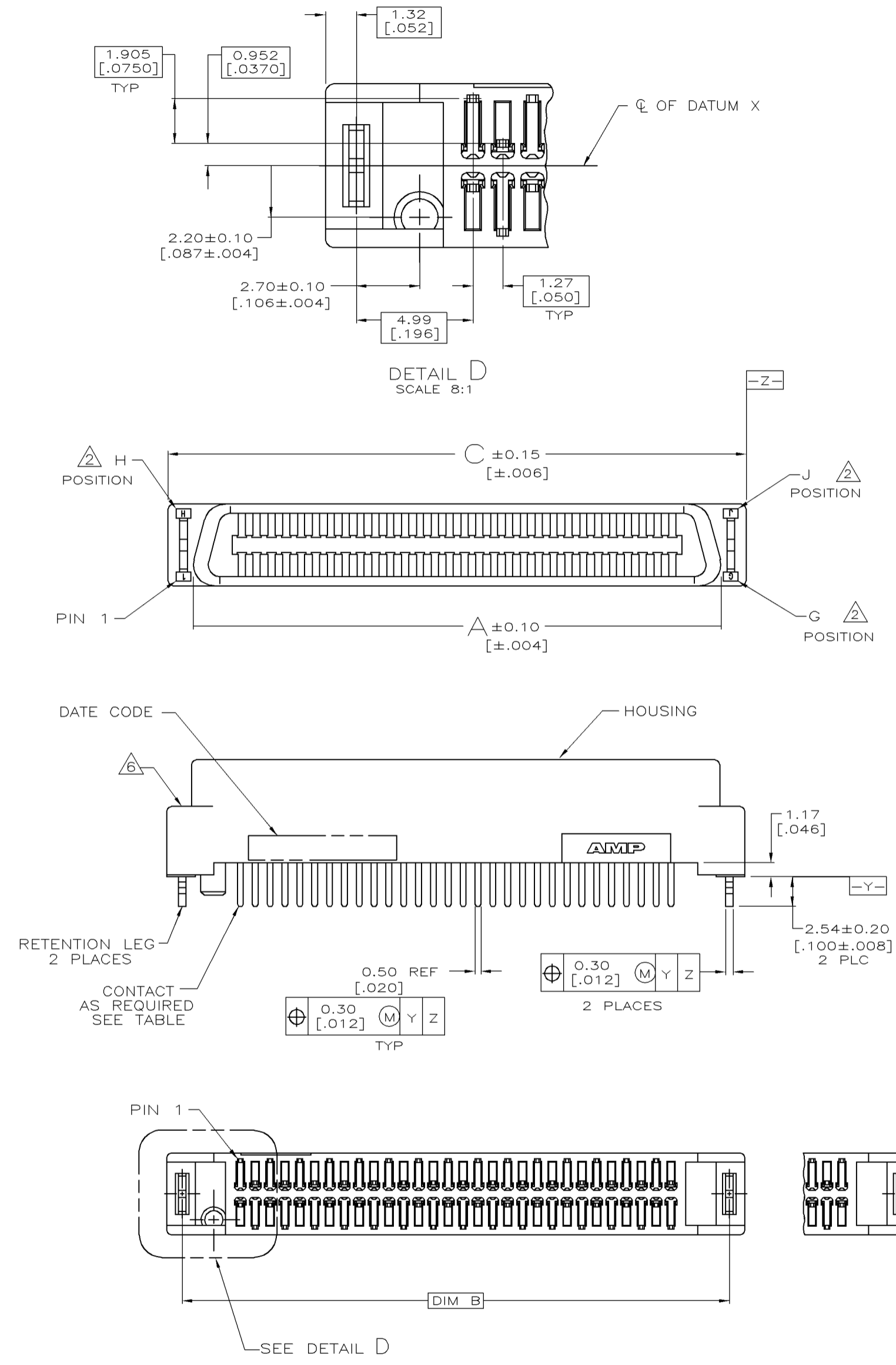


NUMBER
C-1734100



METRIC

THIS INFORMATION IS CONFIDENTIAL AND IS DISCLOSED TO YOU ON CONDITION THAT NO FURTHER DISCLOSURE IS MADE BY YOU TO OTHER THAN AMP PERSONNEL WITHOUT WRITTEN AUTHORIZATION FROM AMP (TAIWAN) LTD. DIMENSIONS IN MILLIMETERS. DO NOT SCALE PRINT.



- 1 MATERIALS:
HOUSING- LIQUID CRYSTAL POLYMER (LCP) MOLDING COMPOUND, 94V-0, BLACK.
CONTACTS- PHOSPHOR BRONZE PLATED WITH MINIMUM THICK (SEE TABLE) GOLD IN CONTACT AREA AND 3.81µm [.000150] MINIMUM THICK MATTE TIN ON SOLDER TINES OVER 1.27µm [.000050] MINIMUM THICK NICKEL UNDERPLATE.
RETENTION LEG- BRASS PLATED WITH 3.81µm [.000150] MINIMUM TIN-Cu OVER 1.27µm [.000050] MINIMUM NICKEL UNDERPLATE.
- 2 G, J AND H INDICATE NUMBER OF POSITION MARKED ON ASSEMBLY. ALSO SEE TABLE.
- 3 ALL DIMENSIONS SHOWN ARE MAXIMUM UNLESS OTHERWISE SPECIFIED.
4. 60 POSITION AS SHOWN.
- 5 RETENTION LEGS NOT PRESENT.
- 6 TOP OF RETENTION LEG MAY NOT PROTRUDE ABOVE THIS SURFACE.
- 7 HOUSING BOW UP TO 0.30 [.012] ALLOWED.
8. ALWAYS RoHS/ELV COMPLIANT.
9. WAVE SOLDER CAPABLE TO 265°C PER TYCO SPEC 109-202, CONDITION B.

2.08 [.082]	3.17 [.125]	43.10 [1.697]	40.46 [1.593]	38.82 [1.528]	25	50	26	0.00076 [.000030]	50	1-1734100-9
0.80-1.60 [.031-.063]	2.54 [.100]	125.65 [4.947]	123.01 [4.843]	121.37 [4.778]	90	180	91	0.00076 [.000030]	180	1-1734100-8
0.80-1.60 [.031-.063]	2.54 [.100]	112.95 [4.447]	110.31 [4.343]	108.67 [4.278]	80	160	81	0.00076 [.000030]	160	1-1734100-6
0.80-1.60 [.031-.063]	2.54 [.100]	93.90 [3.697]	91.26 [3.593]	89.62 [3.528]	65	130	66	0.00076 [.000030]	130	1-1734100-3
0.80-1.60 [.031-.063]	2.54 [.100]	87.55 [3.447]	84.91 [3.343]	83.27 [3.278]	60	120	61	0.00076 [.000030]	120	1-1734100-2
2.08 [.082]	3.17 [.125]	74.85 [2.947]	72.21 [2.843]	70.57 [2.778]	50	100	51	0.00076 [.000030]	100	1-1734100-1
0.80-1.60 [.031-.063]	2.54 [.100]	74.85 [2.947]	72.21 [2.843]	70.57 [2.778]	50	100	51	0.00076 [.000030]	100	1-1734100-0
0.80-1.60 [.031-.063]	2.54 [.100]	62.15 [2.447]	59.51 [2.343]	57.87 [2.278]	40	80	41	0.00076 [.000030]	80	1734100-9
0.80-1.60 [.031-.063]	2.54 [.100]	62.15 [2.447]	59.51 [2.343]	57.87 [2.278]	40	80	41	0.00076 [.000030]	80	1734100-8
0.80-1.60 [.031-.063]	2.54 [.100]	54.53 [2.147]	51.89 [2.043]	50.25 [1.978]	34	68	35	0.00076 [.000030]	68	1734100-7
0.80-1.60 [.031-.063]	2.54 [.100]	49.45 [1.947]	46.81 [1.843]	45.17 [1.778]	30	60	31	0.00076 [.000030]	60	1734100-6
0.80-1.60 [.031-.063]	2.54 [.100]	43.10 [1.697]	40.46 [1.593]	38.82 [1.528]	25	50	26	0.00076 [.000030]	50	1734100-5
0.80-1.60 [.031-.063]	2.54 [.100]	36.75 [1.447]	34.11 [1.343]	32.47 [1.278]	20	40	21	0.00076 [.000030]	40	1734100-4
0.80-1.60 [.031-.063]	2.54 [.100]	30.40 [1.197]	27.76 [1.093]	26.12 [1.028]	15	30	16	0.00076 [.000030]	30	1734100-3
2.08 [.082]	3.17 [.125]	24.05 [.947]	21.41 [.843]	19.77 [.778]	10	20	11	0.00076 [.000030]	20	1734100-2
PCB THICKNESS	E	C	B	A	G	J	H	GOLD	POSITION	PART NUMBER

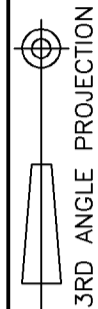
DIMENSION :	DWN	O. HU	TYCO HOLDINGS (BERMUDA) VII LTD. TAIWAN BRANCH
0 PLC ±	21-DEC-2006		
1 PLC ±	CHK	S. HOU	NAME
2 PLC ±	21-DEC-2006		
3 PLC ±	APVD	W.J. KE	PLUG ASSEMBLY, VERTICAL 13.2 mm, BOARD-TO-BOARD, CHAMP .050, SERIES I
ANGLES : ±	21-DEC-2006		
MATERIAL	PRODUCT SPEC	108-1367	LOC DW A ₃ SIZE C-1734100 DRAWING NO B REV
	APPLICATION SPEC	114-6045	
FINISH	WEIGHT		SCALE 1 OF 2

B	ADD 1-1734100-9	ECR-06-029917	OH SH	22DEC 2006
A	CHANGE PLATING SPEC	ECR-06-024892	OH SH	27OCT 2006
O	FIRST RELEASED	FZ00-0026-04	OH SH	26MAR 2004
LTR	REVISION RECORD	ECN	DWN CHK	DATE

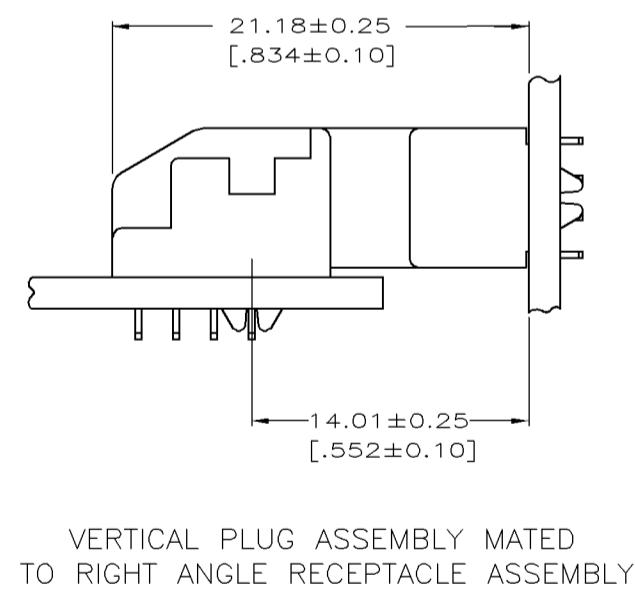
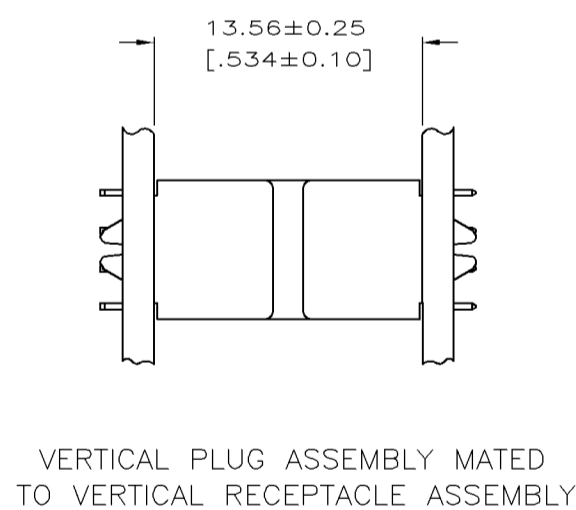
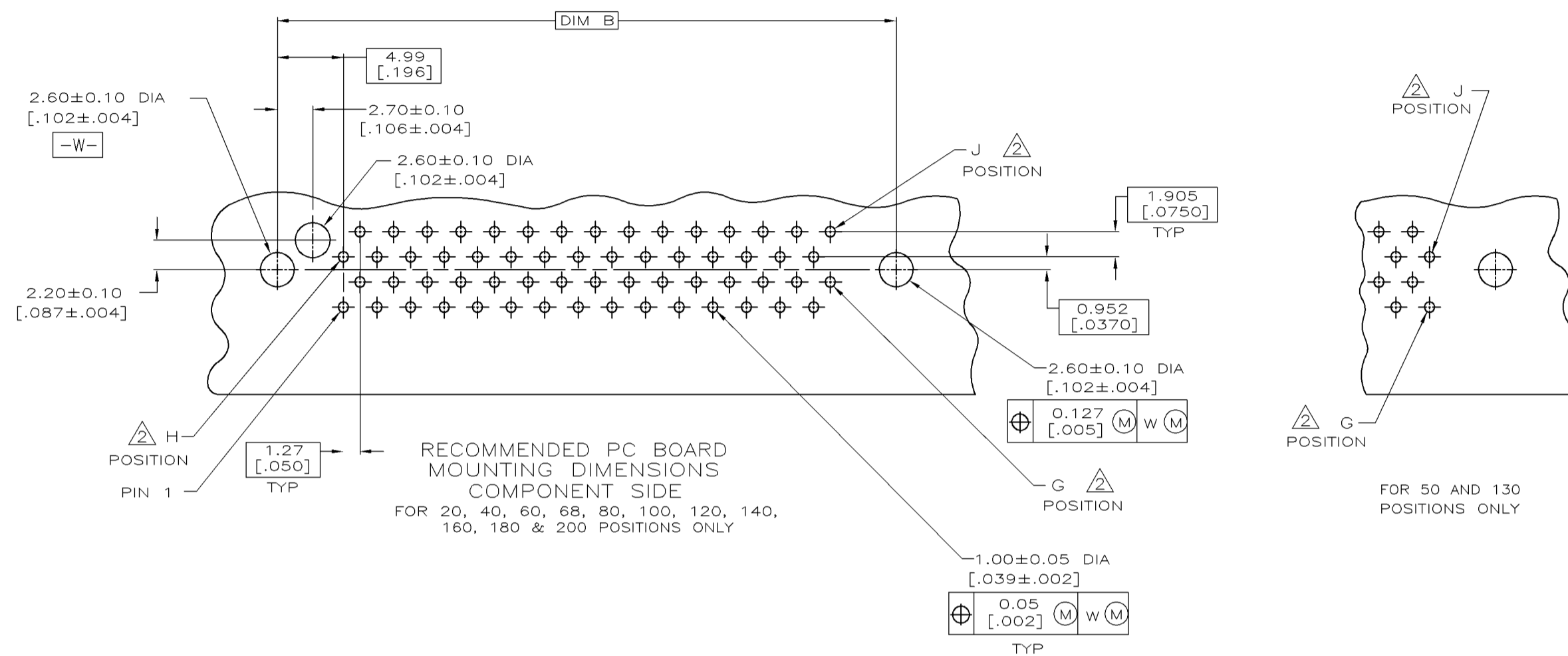
THIS INFORMATION IS CONFIDENTIAL AND IS DISCLOSED TO YOU ON CONDITION THAT NO FURTHER DISCLOSURE IS MADE BY YOU TO OTHER THAN AMP PERSONNEL WITHOUT WRITTEN AUTHORIZATION FROM AMP (TAIWAN) LTD. DIMENSIONS IN MILLIMETERS. DO NOT SCALE PRINT.

PRINT DIST
DW

METRIC



NUMBER
C-1734100



LTR	SEE SHEET 1.	ECN	DWN	CHK	DATE
	REVISION RECORD				

DIMENSION : 0 PLC ± 1 PLC ± 2 PLC ± 3 PLC ± ANGLES : ±'	DWN	O. HU	TYCO HOLDINGS (BERMUDA) VII LTD. TAIWAN BRANCH			
		21-DEC-2006				
MATERIAL SEE NOTE	CHK	S. HOU	NAME PLUG ASSEMBLY, VERTICAL 13.2 mm, BOARD-TO-BOARD, CHAMP .050, SERIES I			
		21-DEC-2006				
FINISH SEE NOTE	APVD	W.J. KE	LOC	SIZE	DRAWING NO	REV
	PRODUCT SPEC	21-DEC-2006	DW	A ₃	C-1734100	B
	APPLICATION SPEC		SCALE	--	SHEET	2 OF 2
	WEIGHT					

CUSTOMER DRAWING