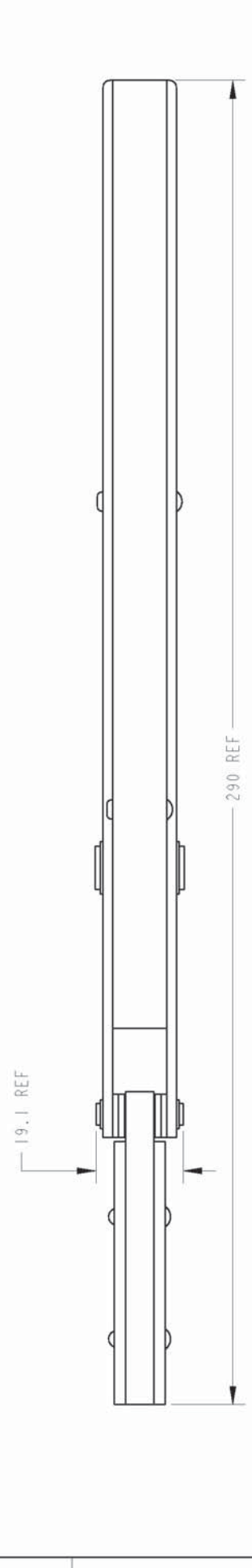
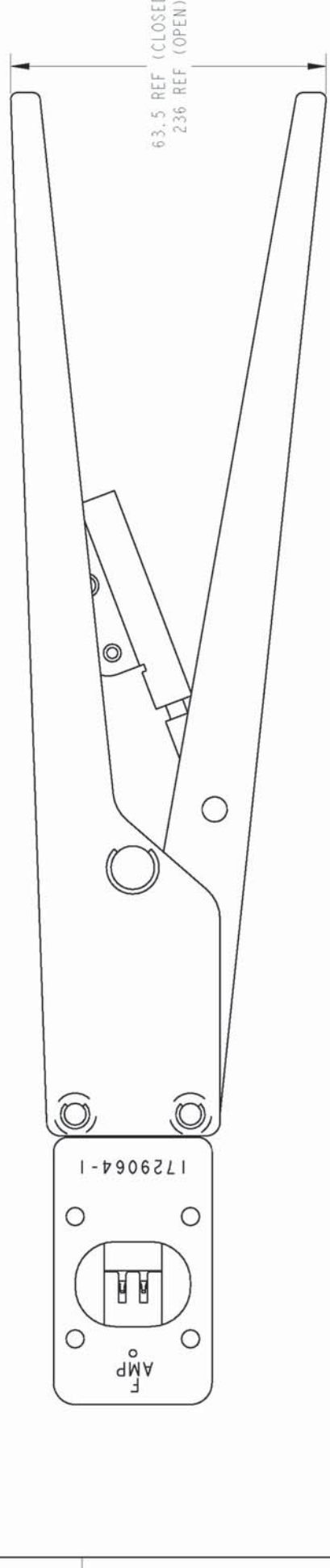


THIS DRAWING IS UNPUBLISHED. RELEASED FOR PUBLICATION BY TYCO ELECTRONICS CORPORATION. ALL RIGHTS RESERVED. © COPYRIGHT 20

LOC		REV. NO.		DATE		OWN		APPROV	
J	-	P	LTR	DESCRIPTION	DATE	OWN	APPROV	DATE	OWN
		0		RELEASED FJCO-0180-03	25-Jun-03	J.K	S.Y		



CRIMP SYMBOL	TERMINAL NO STRIP	WIRE SIZE AWG(mm ²)	INS RANGE (mm)	TERMINAL CH (mm)		IS NO	APPL SPEC	WEIGHT (g)
				WIRE	INS			
圧着部 記号	適用端子型番 種別	電線サイズ	絶縁被覆径	圧着高さ	芯線部	取付適用規格 番号	取付適用規格	重量
A	1376347-1	#20-18 (10.51-0.89)	2.0-2.7	1.00-1.10	3.0REF	411-78104	114-5292	550
B		#18 (1.27-1.38)	2.4-3.1	1.26-1.39	3.2REF			

THIS DRAWING IS UNPUBLISHED. RELEASED FOR PUBLICATION BY TYCO ELECTRONICS CORPORATION. ALL RIGHTS RESERVED. © COPYRIGHT 20

TYCO Electronics AMP K.K. Kawasaki, Japan

TYCO Electronics

STRONG ACTION HAND TOOL (5.0 Power Key Contact, #20-16)

UN J.KOGA 25-JUN-03
CHK J.KOGA 25-JUN-03
APP J.KOGA 25-JUN-03
S. YABE
PRODUCT SPEC
APPLICATION SPEC
WEIGHT

SIZE | CAGE CODE | DRAWING NO
A3 | 00779C | 1729064-1

RESTRICTED TO

CUSTOMER DRAWING

SCALE - SHEET - OF - REV 0