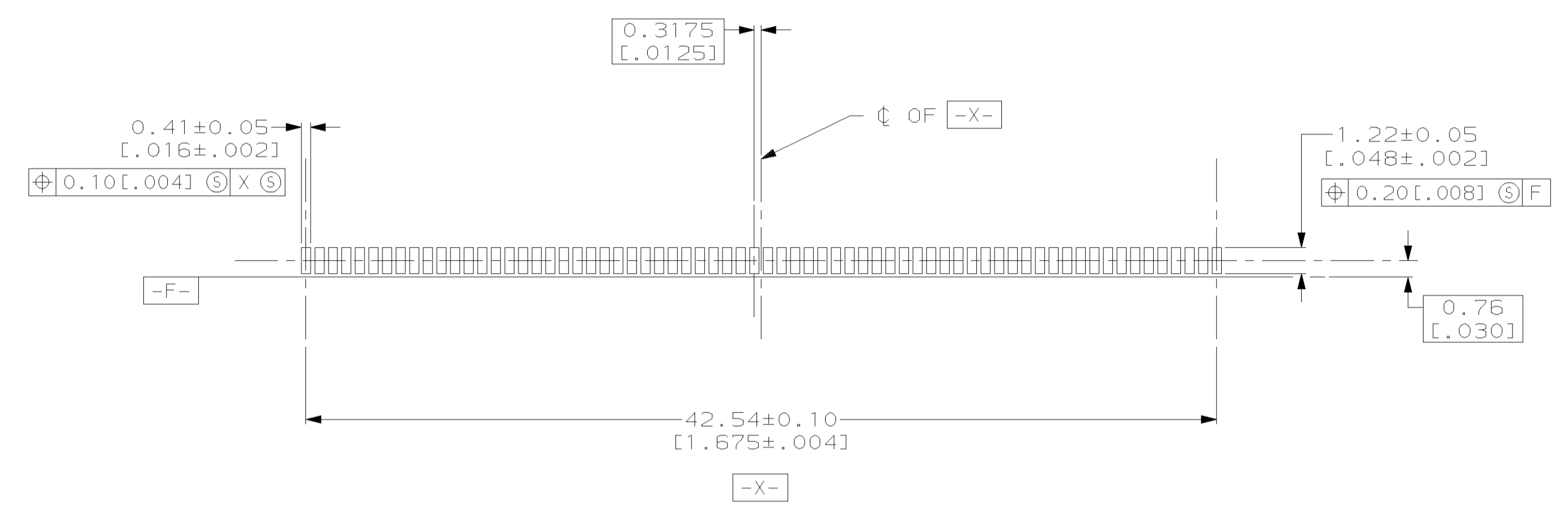
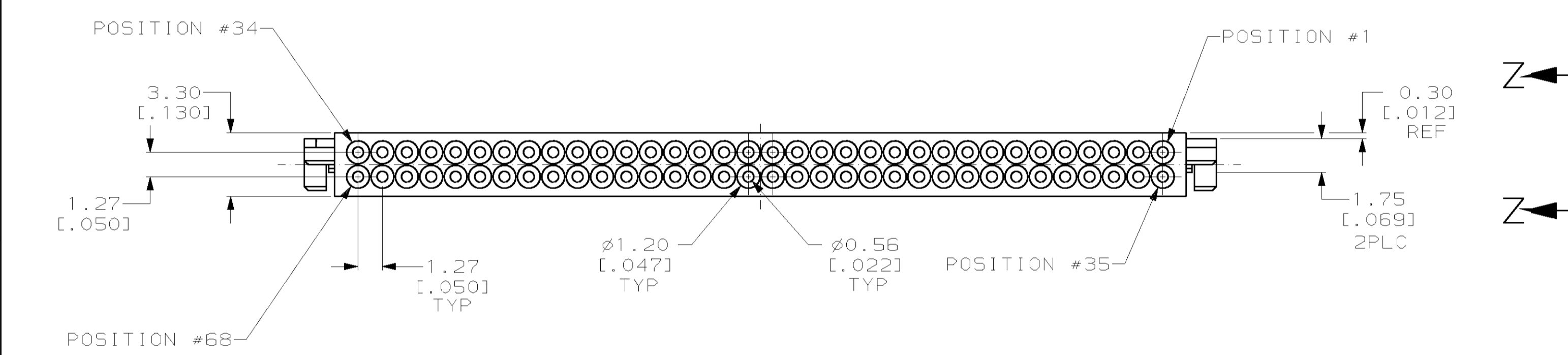
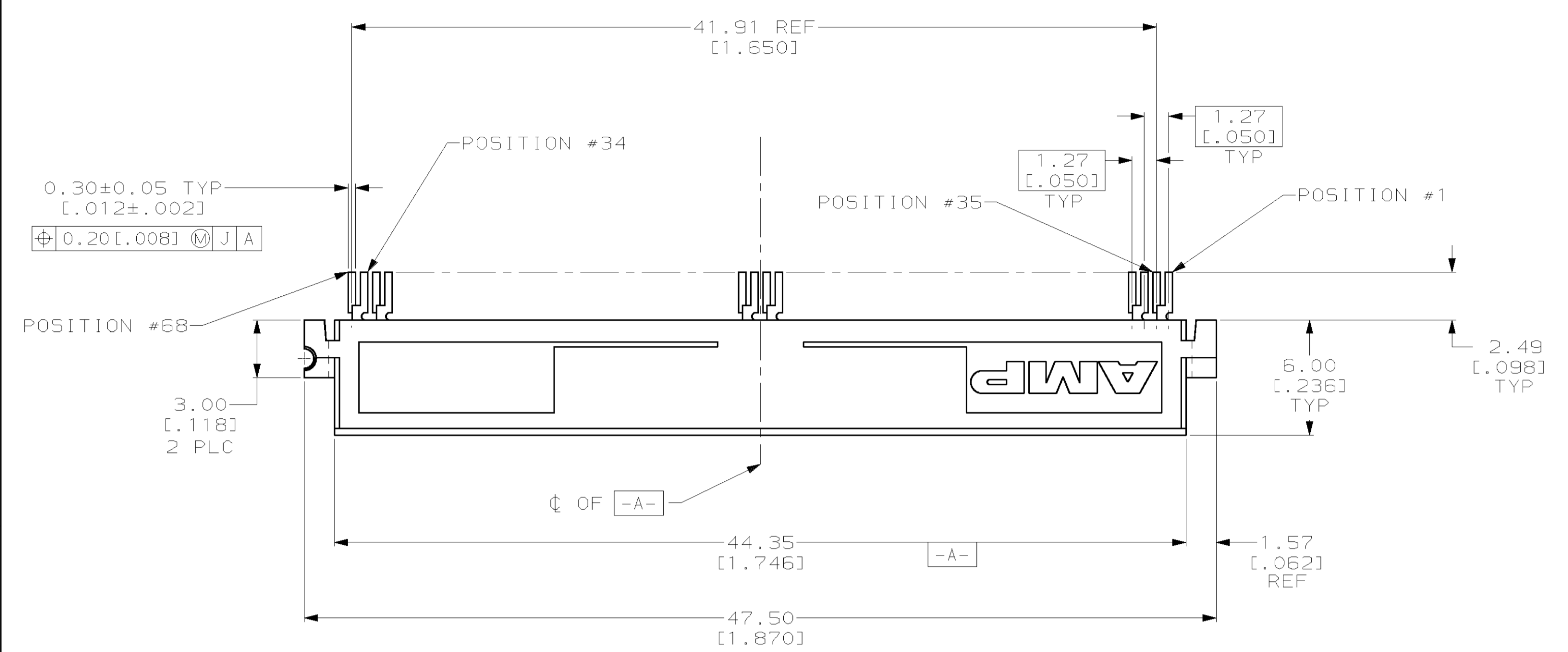
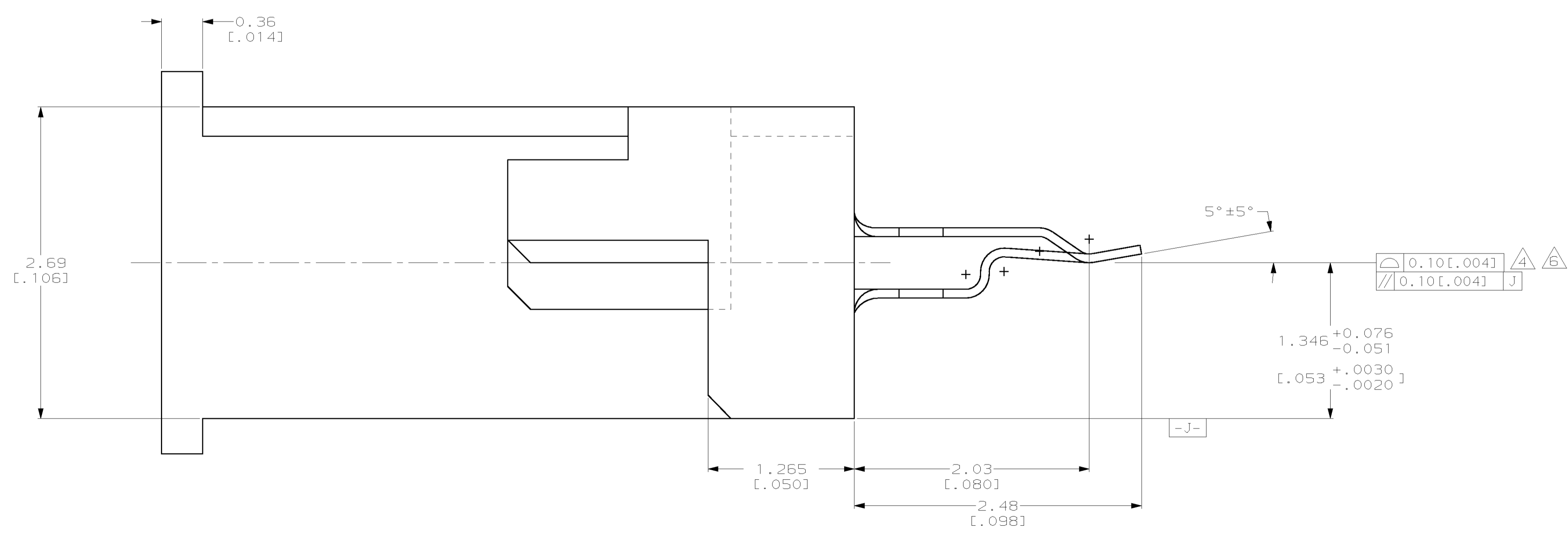


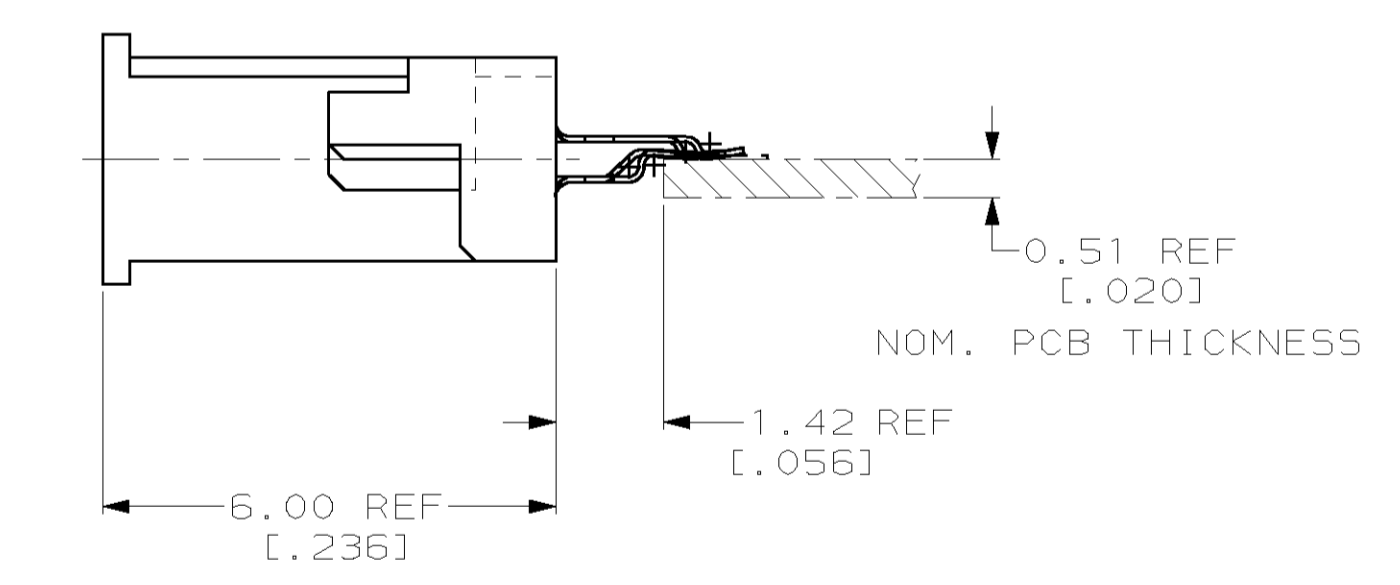
LOC	DIST	REV	DATE	BY	APPV
AD	39	D	01-JUN-00	DD	TW



RECOMMENDED PC BOARD LAYOUT



VIEW Z-Z  
SCALE 40:1



RECOMMENDED PC BOARD LOCATION  
SCALE: 10:1

- ① HOUSING: LCP, GLASS FILLED, COLOR: BLACK.
- ② CONTACT: BERYLLIUM COPPER.
- ③ 0.00076[.000030] MINIMUM GOLD ON MATING AREA, 0.00254[.000100] MINIMUM TIN-LEAD ON SOLDER TAIL, ALL OVER 0.00127[.000050] MINIMUM NICKEL.
- ④ DIMENSION IN REFERENCE TO LOWEST POINT OF EACH LEAD.
- ⑤ POINT OF CONTACT 2.3[.091] REF FROM MATING FACE.
- ⑥ APPLIES TO ALL SOLDER TAILS.
- ⑦ PACKAGED IN A PLASTIC TUBE.
- ⑧ PACKAGED IN 72mm WIDE TAPE AND PLASTIC REEL.

①	146886-2
②	146886-1
PACKAGING	PART NUMBER

THIS DRAWING IS A CONTROLLED DOCUMENT.		DWN R. BROWN 03-26-98	AMP Incorporated Harrisburg, PA 17105-3608
DIMENSIONS: mm [INCHES]	TOLERANCES UNLESS OTHERWISE SPECIFIED:	CHK M. PERCHERKE 03-26-98	NAME V. RUMINSKI 03-26-98
0 PLC ±	1 PLC ±	PRODUCT SPEC	RECEPTACLE ASSEMBLY, SURFACE MOUNT, IN-LINE, 68 POSITION, ZERO OFFSET, AMP PC CARD
2 PLC ±	3 PLC ±0.13[.005]	APPLICATION SPEC	SIZE CAGE CODE DRAWING NO RESTRICTED TO
4 PLC ±	ANGLES ±0°30'	WEIGHT	A1 00779 C-146886
MATERIAL	FINISH	CUSTOMER DRAWING	SCALE 5:1 SHEET 1 OF 1 REV D