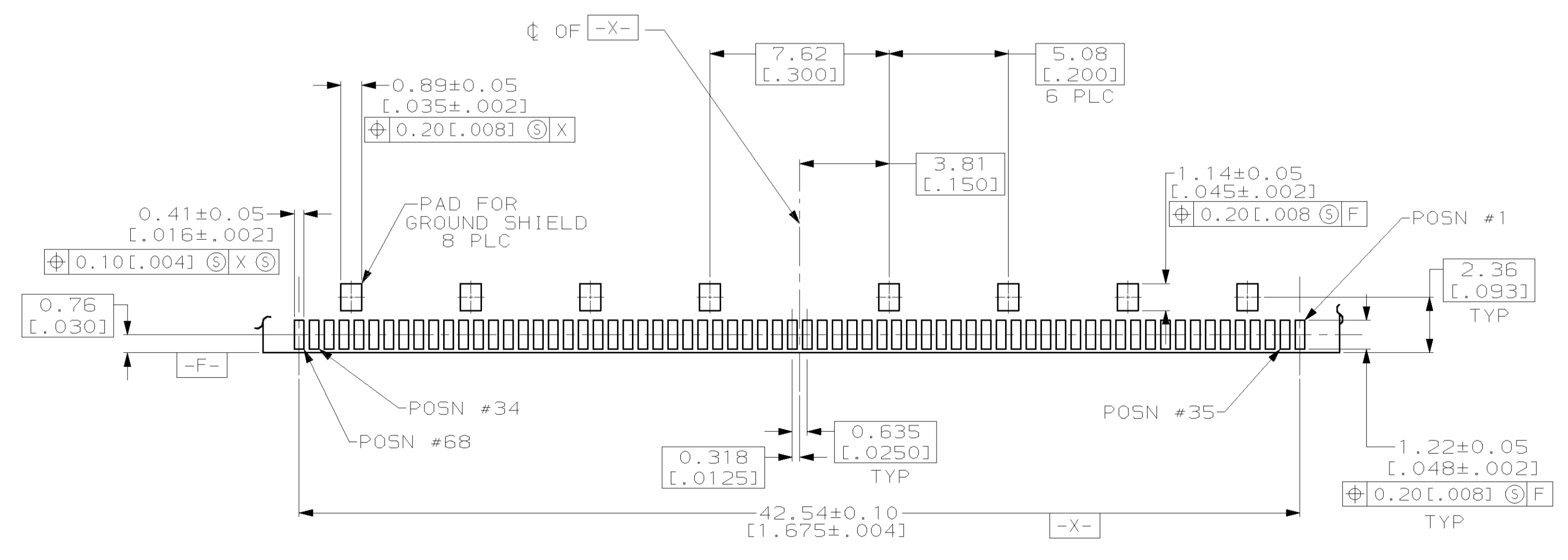
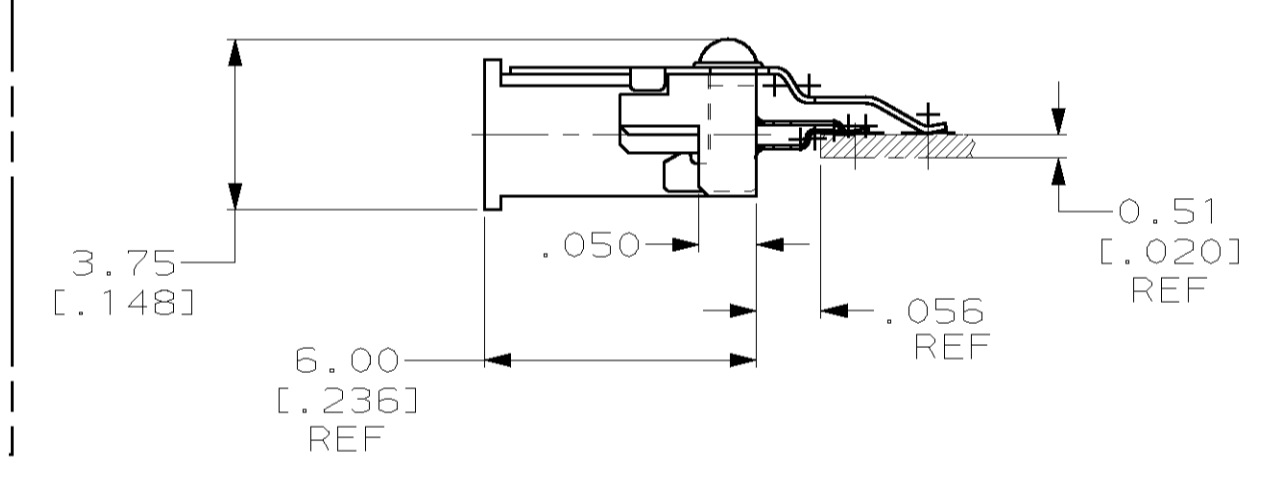
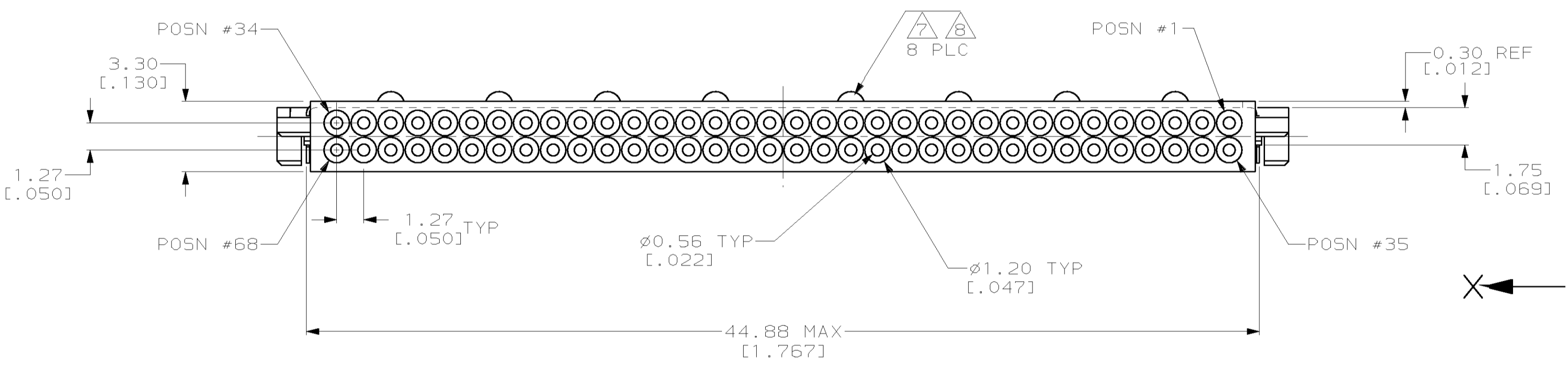
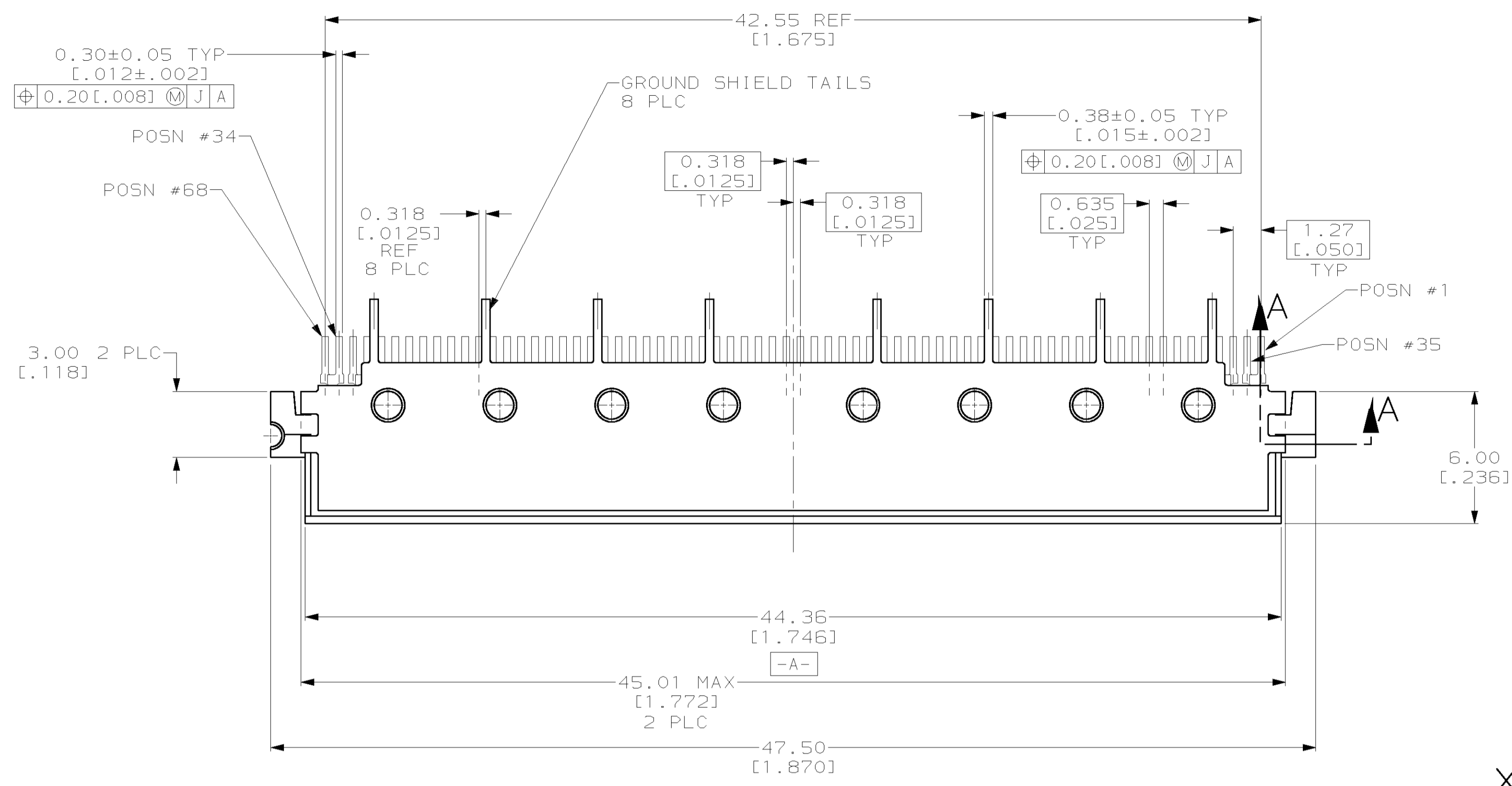


LOC	DIST	REV	DESCRIPTION	DATE	OWN	APVD
AD	36	F	SUPERSEDED -1, -2 & -3; EC 0U1C-0043-01	04JUN01	DLD	AWR

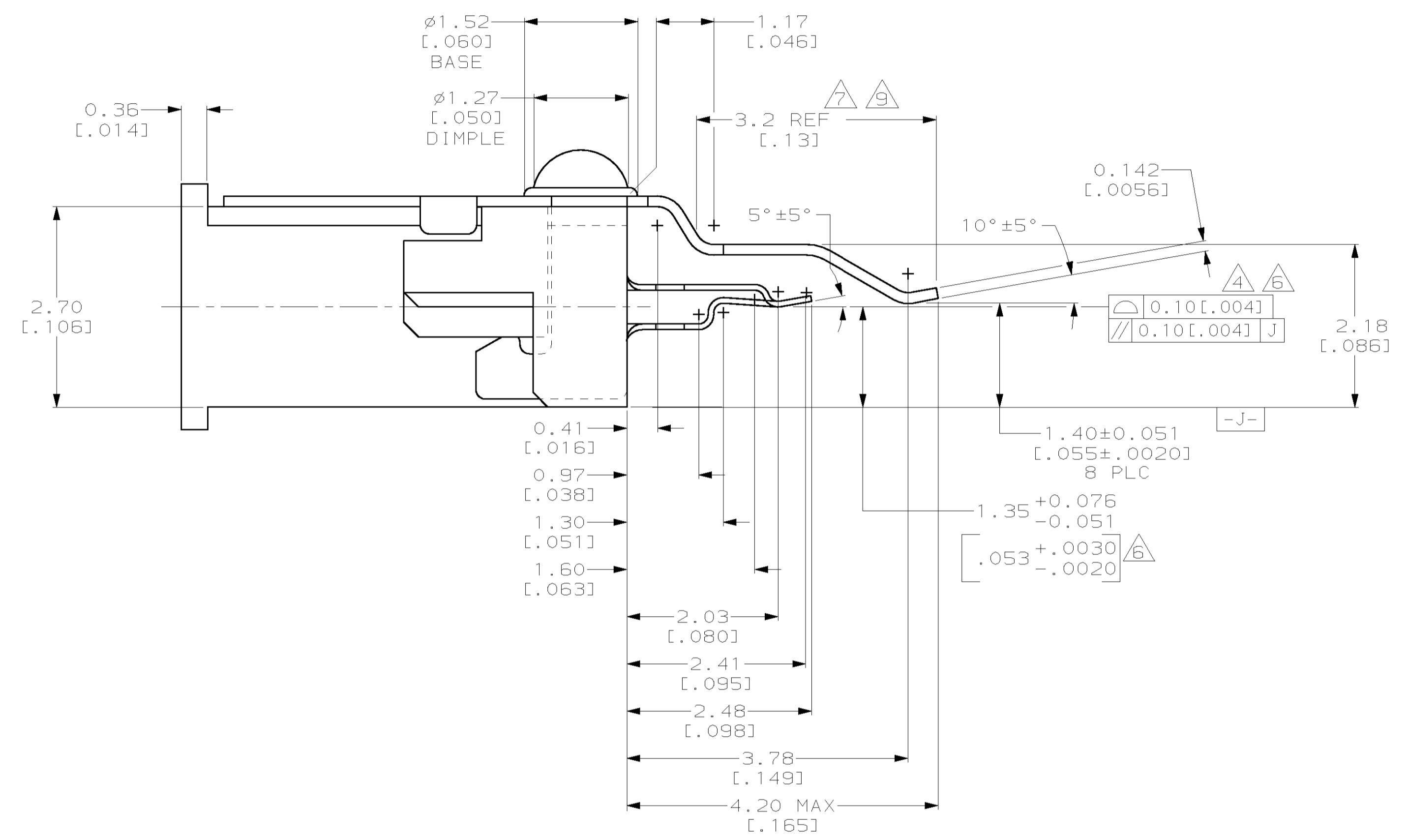


SUGGESTED PC BOARD LAYOUT

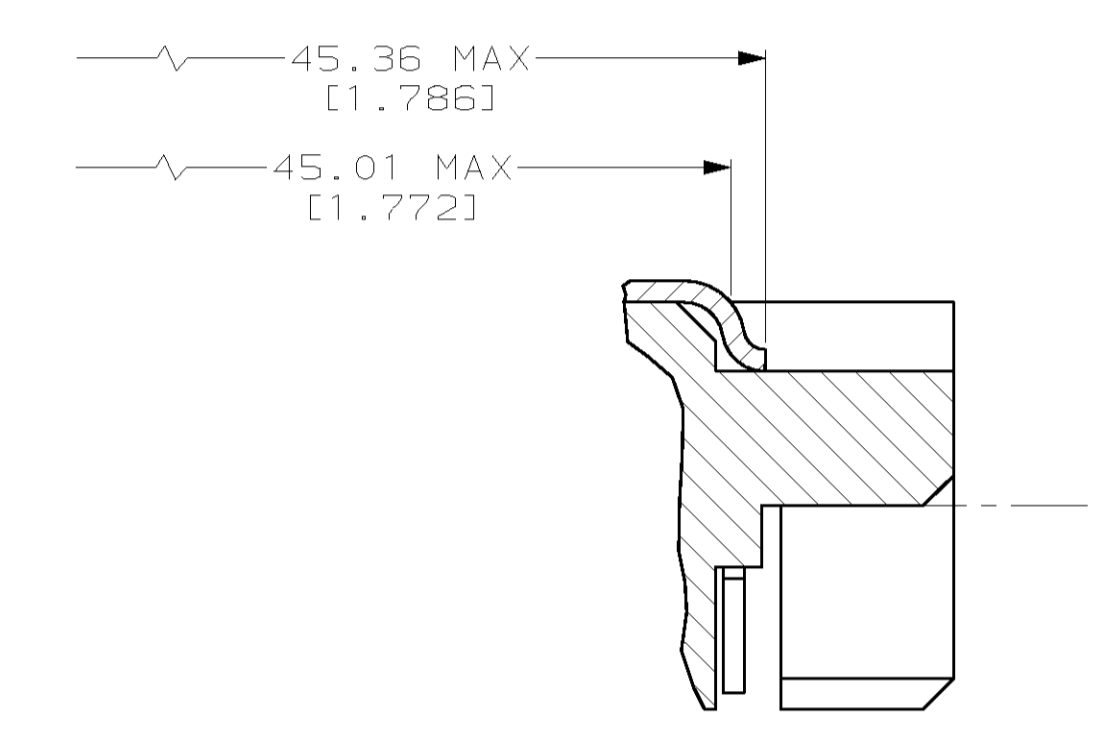
- 1 HOUSING: LCP, GLASS FILLED, COLOR: BLACK.
- 2 CONTACT: BERYLLIUM COPPER; SHIELD: BRASS
- 3 CONTACT: 0.00076[.000030] MINIMUM GOLD ON MATING AREA, 0.00254[.000100] MINIMUM MATTE 93/7 TIN-LEAD ON SOLDER TAIL, ALL OVER 0.00127[.000050] MINIMUM SEMI-BRIGHT NICKEL.
- 4 DIMENSION IN REFERENCE TO LOWEST POINT OF EACH LEAD.
- 5. POINT OF CONTACT 2.3[.091] REF FROM MATING FACE.
- 6 APPLIES TO 68 SIGNAL TAILS ONLY.
- 7 SHIELD: 0.00076[.000030] MIN GOLD IN LOCALIZED GOLD PLATE AREA, 0.00381-0.00635 [.000150-.000250] MATTE TIN-LEAD IN LOCALIZED TIN-LEAD PLATE AREA, ALL OVER 0.00127 [.000050] MIN NICKEL.
- 8 LOCALIZED GOLD PLATE AREA.
- 9 LOCALIZED TIN-LEAD PLATE AREA.
- 10 PACKAGED IN TUBES.
- 11 PACKAGED IN 56mm WIDE TAPE AND PLASTIC REEL.
- 12 PACKAGED IN 72mm WIDE TAPE AND PLASTIC REEL.
- 13 CONTACT: 0.00076[.000030] MINIMUM GOLD ON MATING AREA, 0.00064[.000025] MINIMUM SEMI-BRIGHT NICKEL ON MATING AREA, 0.00254[.000100] MINIMUM MATTE 60/40 TIN-LEAD ON SOLDER TAIL, ALL OVER 0.00127 [.000050] MINIMUM MATTE NICKEL.
- 14 SHIELD: 0.00076[.000030] MINIMUM GOLD IN LOCALIZED PLATING AREA "A", 0.00127[.000050] MINIMUM GOLD IN LOCALIZED PLATING AREA "B", ALL OVER 0.00127 [.000050] MINIMUM MATTE NICKEL. (FOR FUTURE REFERENCE)

PLATING	MATERIAL	PACKAGING	PART NUMBER
7 13	1 2	12	146884-5
		11	146884-4
		12	146884-3
		11	146884-2
		10	146884-1

THIS DRAWING IS A CONTROLLED DOCUMENT.		DWG: R. BROWN 3/18/98	
DIMENSIONS: mm [INCHES]		CHK: M. PERCHERKE 3/18/98	
TOLERANCES UNLESS OTHERWISE SPECIFIED:		APVD: V. RUMINSKI 3/18/98	
0 PLC ±	1 PLC ±	NAME: RECEPTACLE ASSEMBLY, SMT, 68 POSITION, 6MM/.236 IN, ZERO OFFSET, AMP PC CARDBUS	
2 PLC ±	3 PLC ±0.13[.005]	APPLICATION SPEC: -	
4 PLC ±	ANGLES ±2°	SIZE: A1 CAGE CODE: 00779 DRAWING NO: 146884	
MATERIAL: 3	FINISH: 4	WEIGHT: -	
CUSTOMER DRAWING		SCALE: 4:1 SHEET: 1 OF 2 REV: F	



VIEW X-X
SCALE 20:1



SECTION A-A
SCALE 20:1

THIS DRAWING IS A CONTROLLED DOCUMENT.		DWN R. BROWN	3/18/98	AMP AMP Incorporated Harrisburg, PA 17105-3608
		CHK M. PERCHERKE	3/18/98	
DIMENSIONS: mm [INCHES]	TOLERANCES UNLESS OTHERWISE SPECIFIED:	APPROV V. RUMINSKI	3/18/98	NAME RECEPTACLE ASSEMBLY, SMT, 68 POSITION, 6mm/.236 IN, ZERO OFFSET, AMP PC CARDBUS
	0 PLC ±. 1 PLC ±. 2 PLC ±. 3 PLC ±0.13 [.005] 4 PLC ±. ANGLES ±° ±2°	PRODUCT SPEC -	APPLICATION SPEC -	SIZE A1
MATERIAL SEE SHEET 1	FINISH SEE SHEET 1	WEIGHT -	CAGE CODE 100779	DRAWING NO 146884
CUSTOMER DRAWING			SCALE 6:1	SHEET 2 OF 2