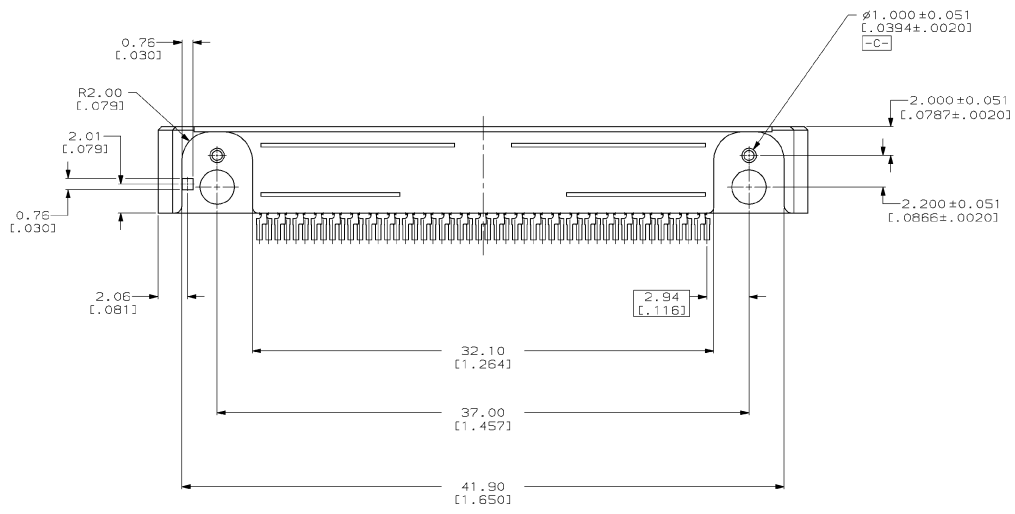
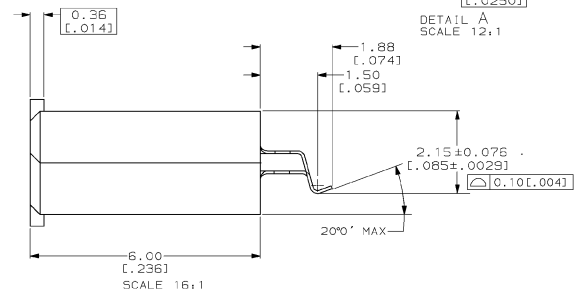
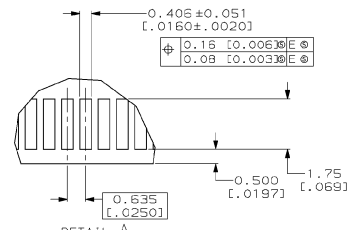
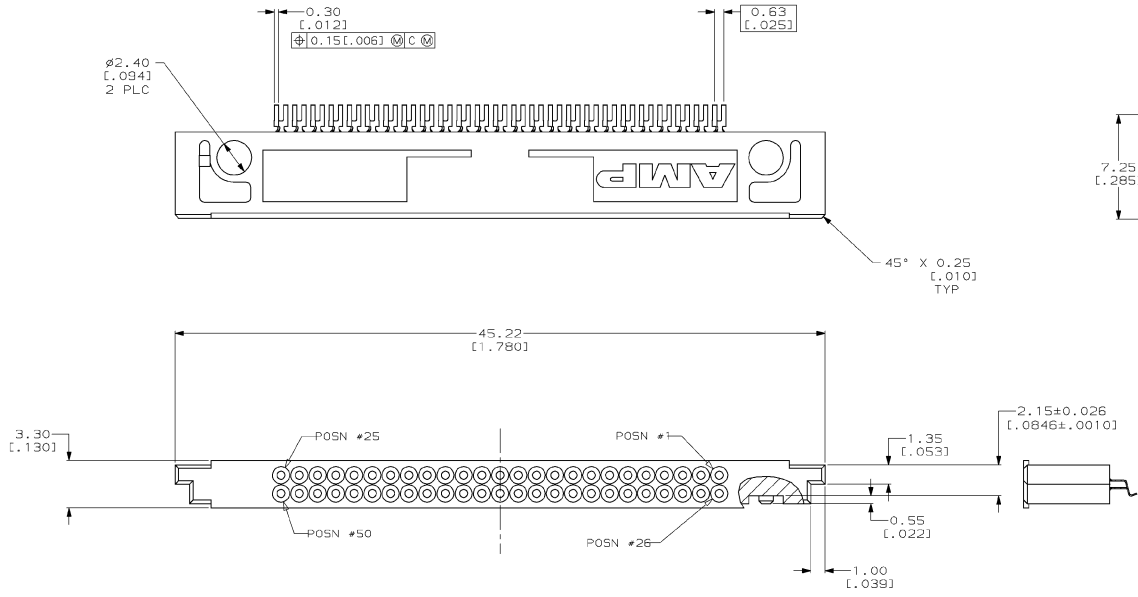
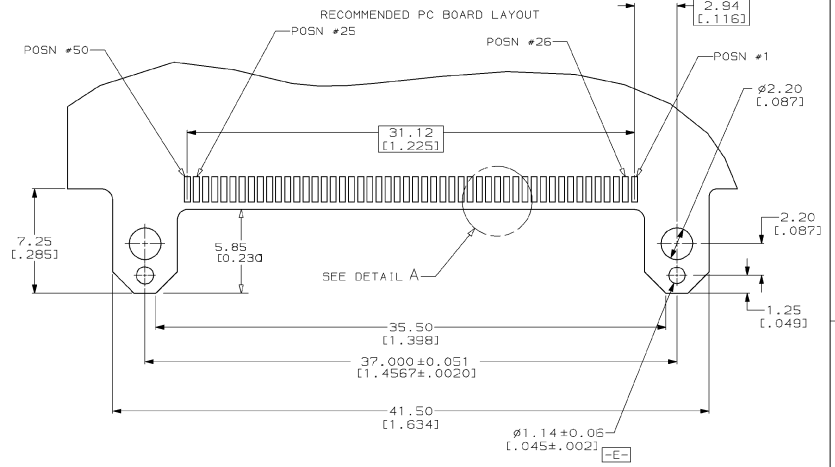


THIS DRAWING IS UNPUBLISHED. REDESIGN FOR FUNCTIONALITY.
 © COPYRIGHT 19 BY AMP INCORPORATED. ALL RIGHTS RESERVED.

REV	DATE	DESCRIPTION	DATE	BY	APP
C	10/03/97	REV PER 0410-0292-97		JR	MP
D	07 JAN 98	REV PER EC 0410-503-97		CR	MP



SHOWN AS 146448-1

THIS DRAWING IS A CONTROLLED DOCUMENT.		BY: DARRYL WERTZ	DATE: 12-9-95	AMP Incorporated Harrisburg, PA 17105-3608
DRAWN BY: LOU CASTAGNA		DATE: 12-9-95	TIME:	
DIMENSIONS: #1 UNLESS OTHERWISE SPECIFIED	1. P.L.C. 4: 2. P.L.C. 1:2 3. P.L.C. 1:10 4. P.L.C. 1:1000 5. P.L.C. 1:10000	TITLE: 50 POSN RECP ASSY, INV KEY, SMT APPLICATION SPEC: 0.8mm/.031 IN. OFFSET, DSK DRV CONN	SIZE: A1 CASE CODE: 00779 DRAWING NO: 146448	RESTRICTED TO:
MATERIAL: -		FINISH: -	WEIGHT: -	CUSTOMER DRAWING: SCALE 6:1 SHEET 1 OF 1 REV D