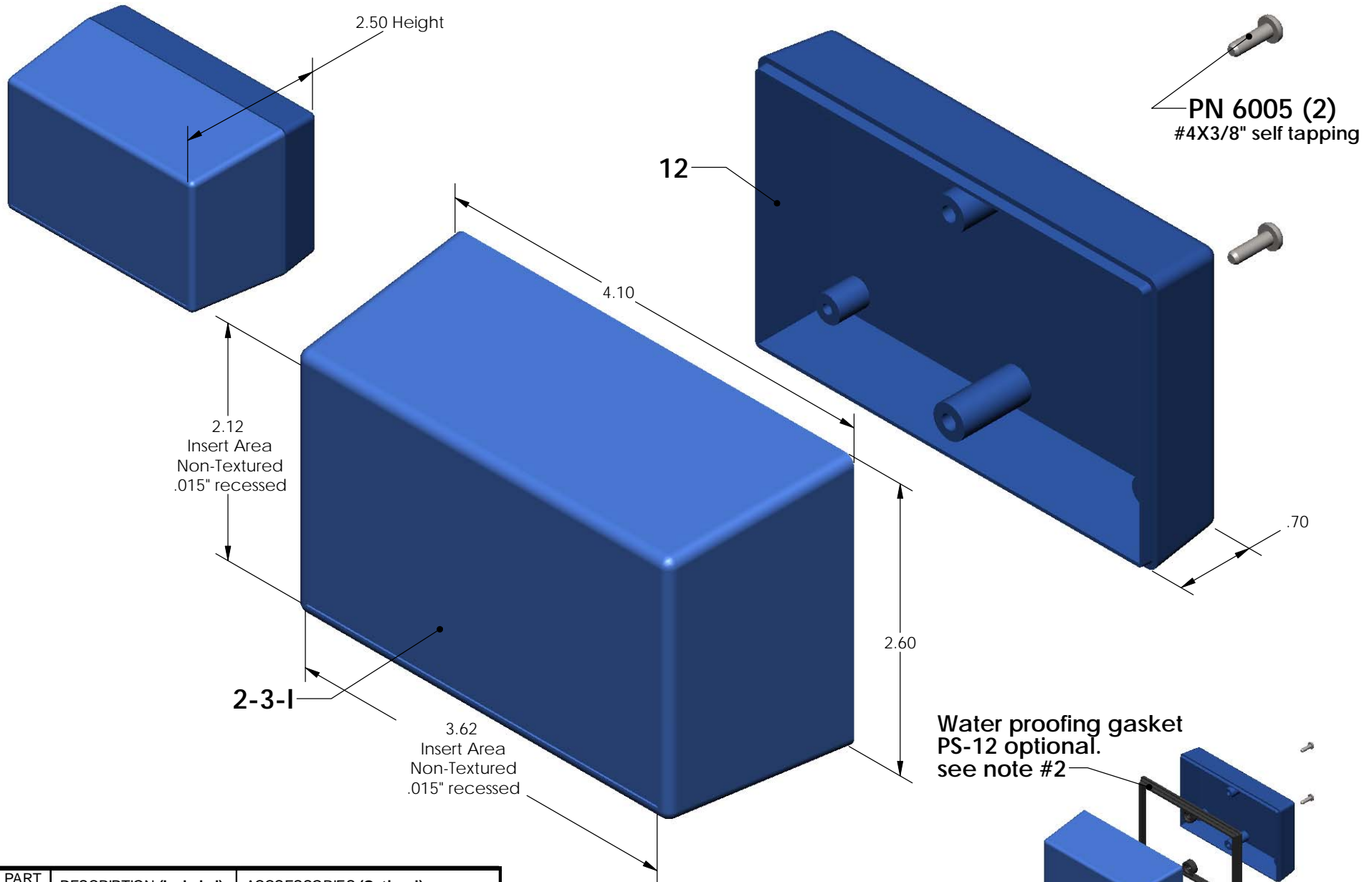


SERPAC 123-1 (exploded isometric)

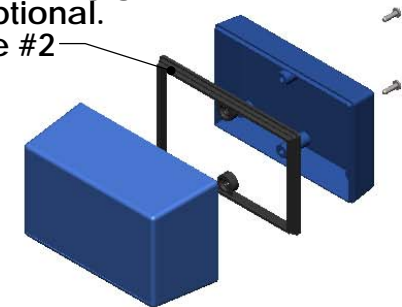
Electronic Enclosures



PART NO.	DESCRIPTION (Included)	ACCESSORIES (Optional)	
2-3-1	TOP	PART NO.	DESCRIPTION
12	BOTTOM	PS-12	Perimeter Seal
6005	#4X3/8" Self tapping (2)		

Notes: (Enclosure weight 0.19 lb / 88 gm)
 1) Enclosure meets or exceeds IP40 and NEMA 1
 2) When used with PS-12 the enclosure meets or exceeds IP 67 and NEMA 4X, 12 and 13 MIL-STD-810G 506.5
 3) Circuit Board drawings can be download at:
http://www.serpac.com/Products/Accessories/CircuitBoard/drawings/CB_12X.pdf
 4) All components are RoHS Compliant.

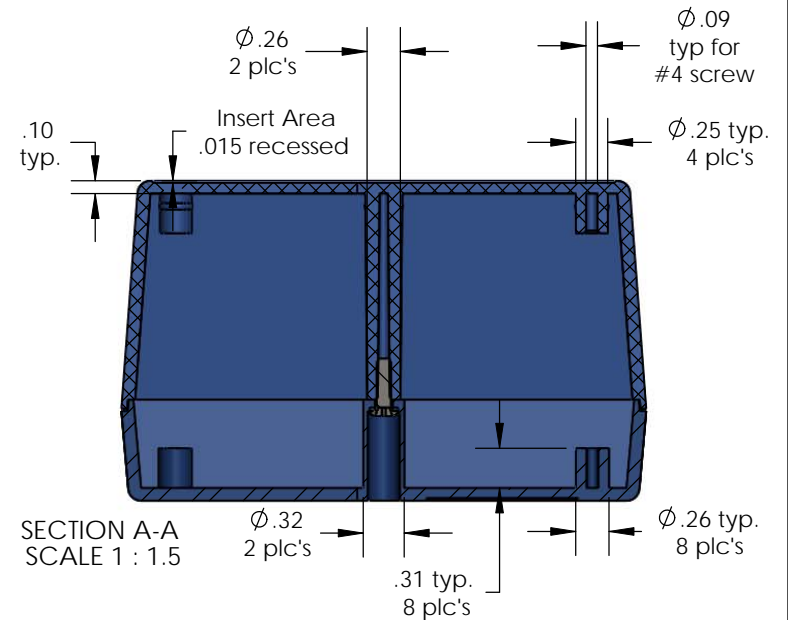
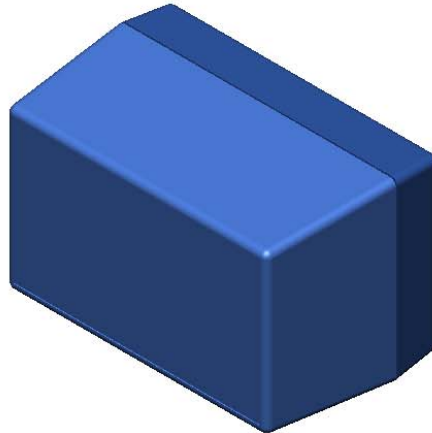
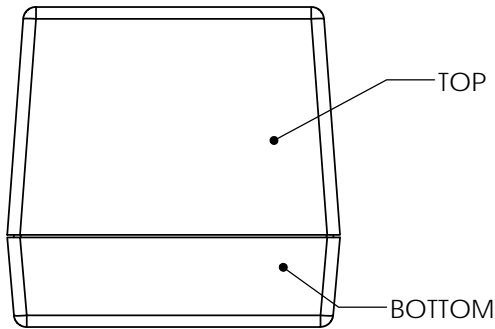
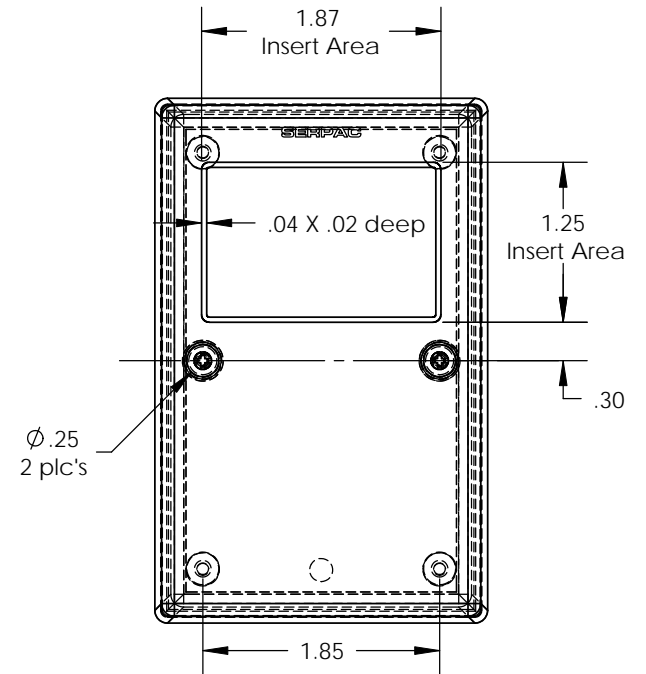
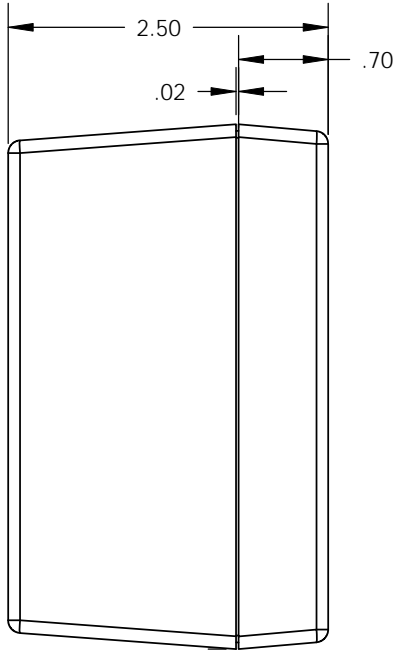
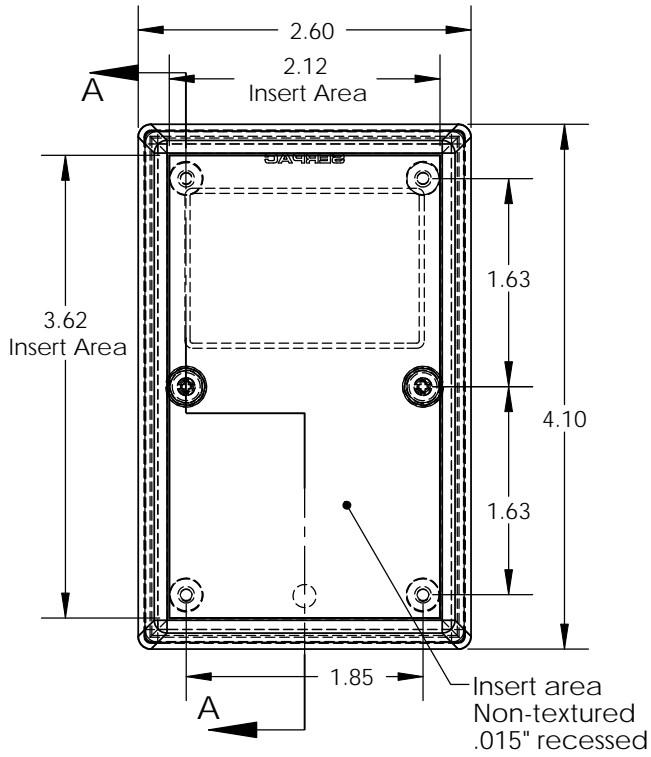
Water proofing gasket
 PS-12 optional.
 see note #2



ALL DIMENSIONS ARE ± .010" 6/30/09 (1 of 2)
 619 Commercial Ave. Covina, CA 91723
 Ph. (626) 331-0517 Fx. (626) 331-8584 serpac.com

SERPAC 123-1 (user print)

Electronic Enclosures



PART NO.	DESCRIPTION (Included)	ACCESSORIES (Optional)	
2-3-1	TOP	PART NO.	DESCRIPTION
12	BOTTOM	PS-12	Perimeter Seal
6005	#4X3/8" self tapping (2)		

Notes: (Enclosure weight 0.19 lb / 88 gm)
 1) Enclosure meets or exceeds IP40 and NEMA 1
 2) When used with PS-12 the enclosure meets or exceeds IP 67 and NEMA 4X, 12 and 13 MIL-STD-810G 506.5
 3) Circuit Board drawings can be download at:
http://www.serpac.com/Products/Accessories/CircuitBoard/drawings/CB_12X.pdf
 4) All components are RoHS compliant.

ALL DIMENSIONS ARE $\pm .010"$ 6/30/09 (2 of 2)
 619 Commercial Ave. Covina, CA 91723
 Ph. (626) 331-0517 Fx. (626) 331-8584 www.serpac.com