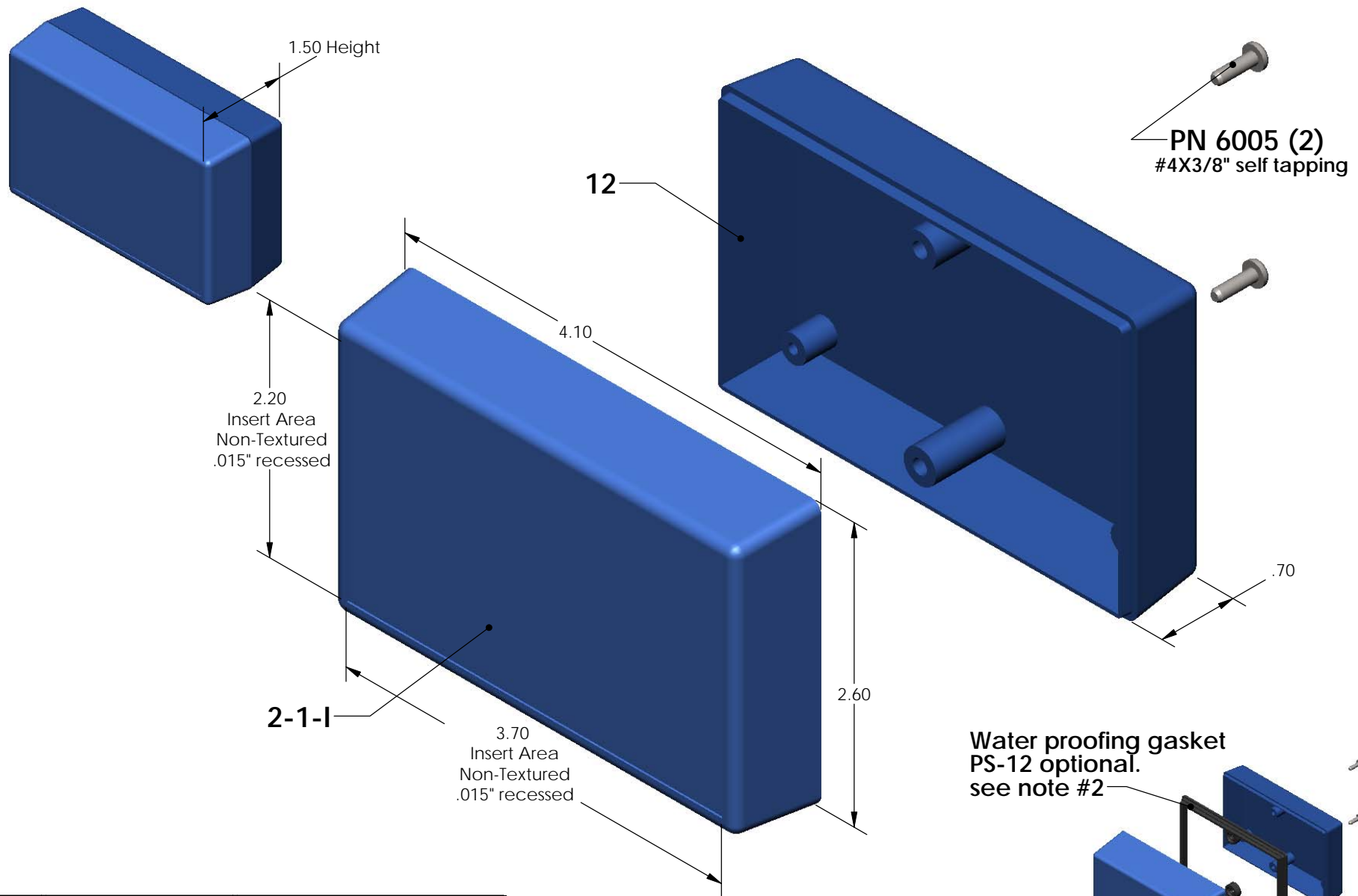


SERPAC 121-1 (exploded isometric)

Electronic Enclosures



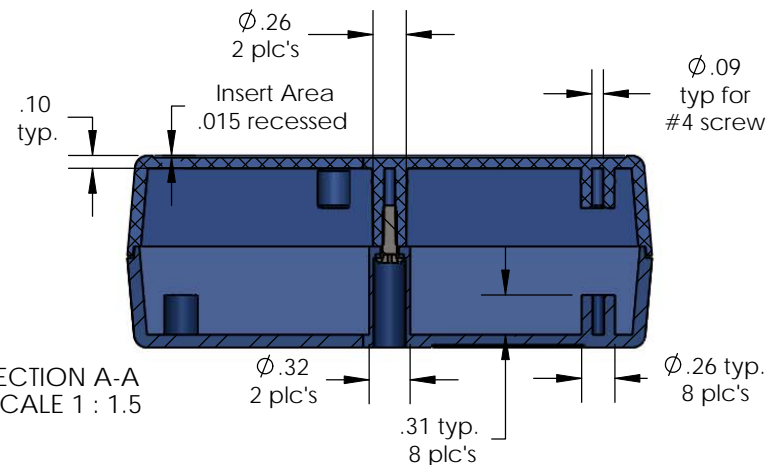
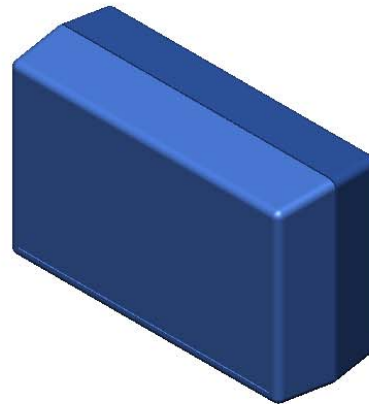
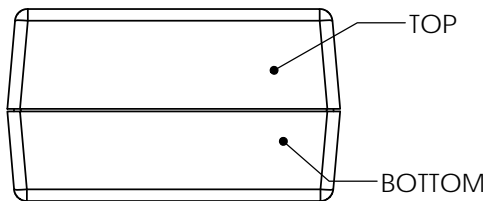
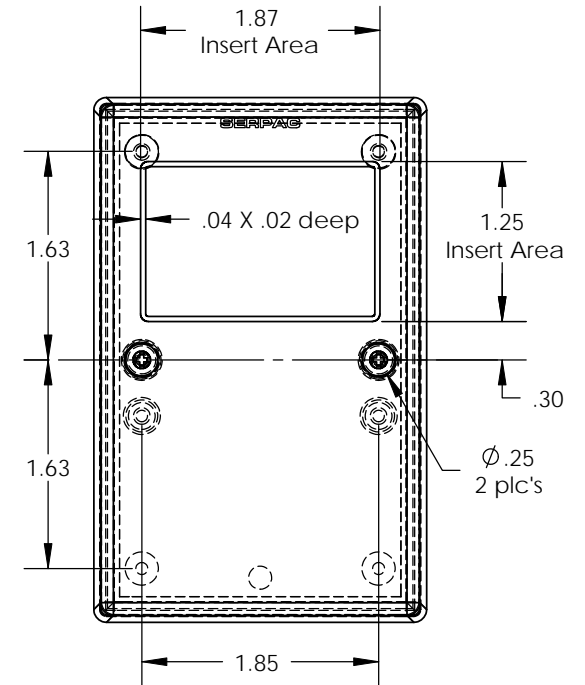
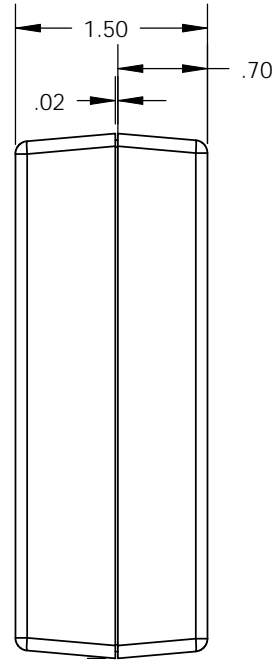
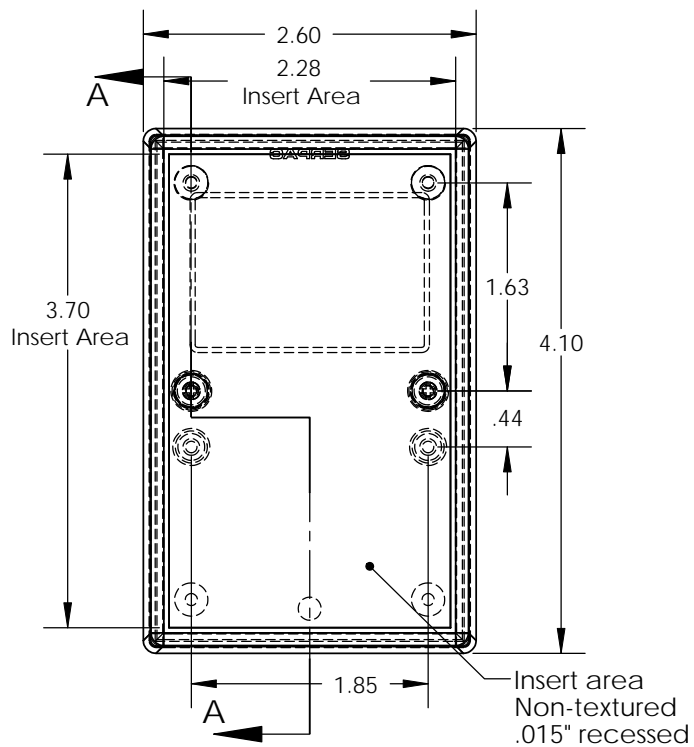
PART NO.	DESCRIPTION (Included)	ACCESSORIES (Optional)	
		PART NO.	DESCRIPTION
2-1-1	TOP		
12	BOTTOM	PS-12	Perimeter Seal
6005	#4X3/8" Self tapping (2)	319	Prototype grid board (top)
		419	Prototype clad board (top)

Notes: (Enclosure weight 0.15 lb / 68 gm)
 1) Enclosure meets or exceeds IP40 and NEMA 1
 2) When used with PS-12 the enclosure meets or exceeds IP 67 and NEMA 4X, 12 and 13 MIL-STD-810G 506.5
 3) Circuit Board drawings can be download at: http://www.serpac.com/Products/Accessories/CircuitBoard/drawings/CB_121.pdf
 4) All components are RoHS Compliant.

ALL DIMENSIONS ARE ± .010" 6/23/09 (1 of 2)
 619 Commercial Ave. Covina, CA 91723
 Ph. (626) 331-0517 Fx. (626) 331-8584 serpac.com

SERPAC 121-I (user print)

Electronic Enclosures



SECTION A-A
SCALE 1 : 1.5

PART NO.	DESCRIPTION (Included)	ACCESSORIES (Optional)	
2-1-I	TOP	PART NO.	DESCRIPTION
12	BOTTOM	PS-12	Perimeter Seal
6005	#4 X 3/8" self tapping (2)	319	Prototype grid board (top)
		419	Prototype clad board (top)

- Notes: (Enclosure weight 0.15 lb / 68 gm)
- 1) Enclosure meets or exceeds IP40 and NEMA 1
 - 2) When used with PS-12 the enclosure meets or exceeds IP 67 and NEMA 4X, 12 and 13 MIL-STD-810G 506.5
 - 3) Circuit Board drawings can be download at: http://www.serpac.com/Products/Accessories/CircuitBoard/drawings/CB_121.pdf
 - 4) All components are RoHS Compliant.