

AP 3-TU

Order No.: 5022656



<http://eshop.phoenixcontact.de/phoenix/treeViewClick.do?UID=5022656>

Cover profile, for mounting on NS 32 or NS 35/7.5 mounting rail, for fixing the cover profile AP, 2 mm thick

Commercial data

EAN	4017918095253
Pack	50 Pcs.
Customs tariff	39169013
Weight/Piece	0.009444 KG
Catalog page information	Page 518 (CL-2007)

Product notes

WEEE/RoHS-compliant since:
01/01/2003



<http://www.download.phoenixcontact.com>
Please note that the data given here has been taken from the online catalog. For comprehensive information and data, please refer to the user documentation. The General Terms and Conditions of Use apply to Internet downloads.

Technical data

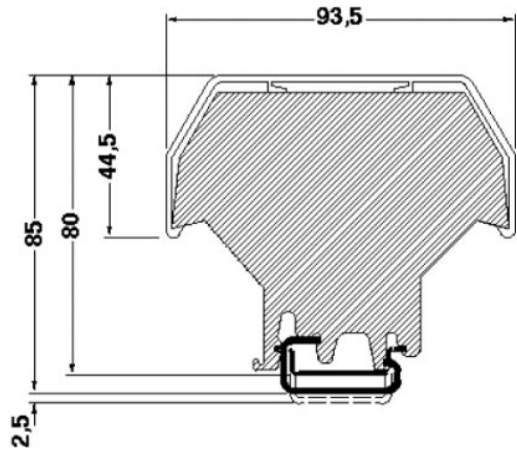
General

Length	93.5 mm
Height	80 mm
Width	2 mm
Color	gray
Inflammability class acc. to UL 94	V2

Material	PA
----------	----

Drawings

Dimensioned drawing



Address

PHOENIX CONTACT Inc., USA
586 Fulling Mill Road
Middletown, PA 17057, USA
Phone (800) 888-7388
Fax (717) 944-1625
<http://www.phoenixcon.com>



© 2008 Phoenix Contact
Technical modifications reserved;