

**SK 14**

Order No.: 3025176

<http://eshop.phoenixcontact.de/phoenix/treeViewClick.do?UID=3025176>Shield connection terminal block, for applying the shield to busbars,  
type SK 14**Commercial data**

EAN	4017918130305
Pack	10 Pcs.
Customs tariff	85369010
Weight/Piece	0.02031 KG
Catalog page information	Page 524 (CL-2007)

**Product notes**WEEE/RoHS-compliant since:  
02/15/2005

<http://www.download.phoenixcontact.com>  
Please note that the data given here has been taken from the online catalog. For comprehensive information and data, please refer to the user documentation. The General Terms and Conditions of Use apply to Internet downloads.

**Technical data****General**

Color	silver
-------	--------

**Connection data**

Tightening torque max	0.8 Nm
-----------------------	--------

**Accessories**

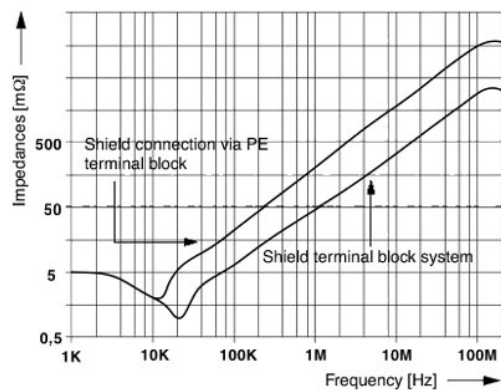
Item	Designation	Description
3025341	AB-SK	Support, for mounting on the NS 35/7,5 rail, for 10 x 3 mm busbars
0404428	AB/SS	Support made of insulating material, with retaining screw, for use with either 3 x 10 mm or 6 x 6 mm busbar, color: gray
0402174	NLS-CU 3/10 SN 1000MM	PEN conductor busbar, 3mm x 10 mm, length: 1000 mm

**General**

0404017	AK 4	Power terminal block, cross section: 0.5 - 4 mm <sup>2</sup> , width: 7 mm
0421032	AKG 4 BK	Power terminal block, cross section: 0.5 - 4 mm <sup>2</sup> , width: 7 mm, color: black
0421029	AKG 4 GNYE	Power terminal block, cross section: 0.5 - 4 mm <sup>2</sup> , width: 7 mm, color: green-yellow

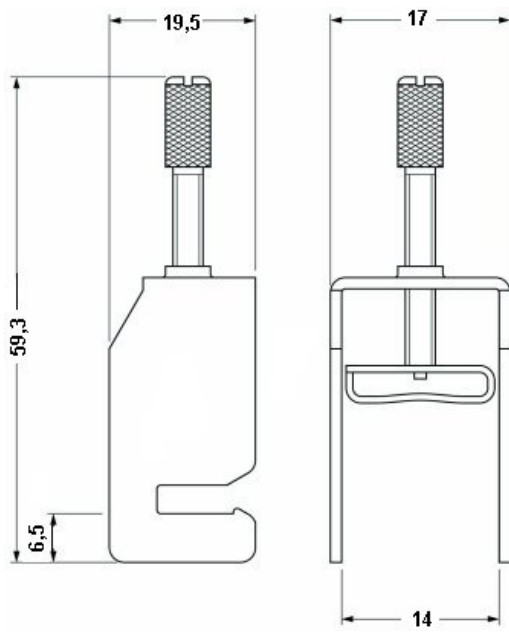
**Drawings**

## Diagram



Dimensioned drawing

---



SK 14 Order No.: 3025176

<http://eshop.phoenixcontact.de/phoenix/treeViewClick.do?UID=3025176>

---

**Address**

PHOENIX CONTACT GmbH & Co. KG  
Flachsmarktstr. 8  
32825 Blomberg, Germany  
Phone +49 5235 3 00  
Fax +49 5235 3 41200  
<http://www.phoenixcontact.de>



© 2008 Phoenix Contact  
Technical modifications reserved;