

## UM 72-FE

Order No.: 2959382

<http://eshop.phoenixcontact.de/phoenix/treeViewClick.do?UID=2959382>

Foot element, 72 mm wide, for mounting on NS 32 or NS 35/7,5,  
below profile housing UM 72.

### Commercial data

EAN	4017918099350
Pack	10 Pcs.
Customs tariff	85389099
Weight/Piece	0.00597 KG
Catalog page information	Page 562 (CC-2007)

### Product notes

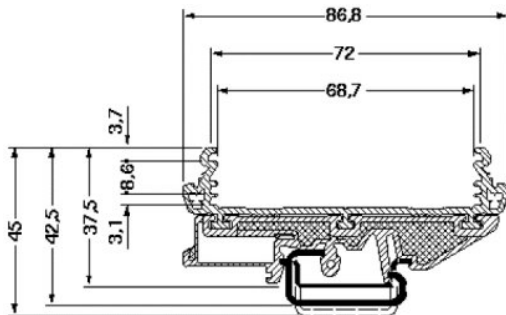
WEEE/RoHS-compliant since:  
01/01/2003



<http://www.download.phoenixcontact.com>  
Please note that the data given here has been taken from the online catalog. For comprehensive information and data, please refer to the user documentation. The General Terms and Conditions of Use apply to Internet downloads.

### Drawings

Dimensioned drawing



UM 72-FE Order No.: 2959382

<http://eshop.phoenixcontact.de/phoenix/treeViewClick.do?UID=2959382>

---

**Address**

PHOENIX CONTACT Inc., USA  
586 Fulling Mill Road  
Middletown, PA 17057, USA  
Phone (800) 888-7388  
Fax (717) 944-1625  
<http://www.phoenixcon.com>



© 2008 Phoenix Contact  
Technical modifications reserved;