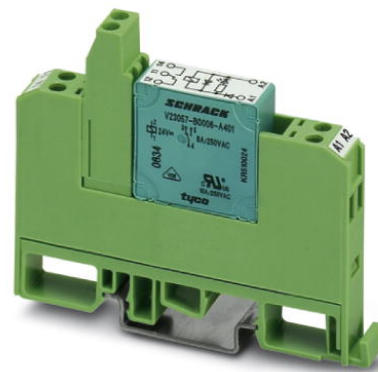


EMG 10-REL/KSR-G 24/21-LC AU

Order No.: 2940090

The illustration shows version EMG 10-REL/KSR-G 24/1-LC, with soldered-in miniature switching relay



<http://eshop.phoenixcontact.de/phoenix/treeViewClick.do?UID=2940090>

Relay module, with soldered-in miniature switching relay, gold contact for small loads, 1 PDT, input voltage 24 V DC

| Commercial data | |
|--------------------------|--------------------|
| EAN | 4017918079864 |
| Pack | 10 Pcs. |
| Customs tariff | 85364190 |
| Weight/Piece | 0.04207 KG |
| Catalog page information | Page 108 (IF-2007) |

Product notes

WEEE/RoHS-compliant since:
05/30/2006



<http://www.download.phoenixcontact.com>
Please note that the data given here has been taken from the online catalog. For comprehensive information and data, please refer to the user documentation. The General Terms and Conditions of Use apply to Internet downloads.

Technical data

| Coil side | |
|---|-------------|
| Nominal input voltage U_N | 24 V DC |
| Input voltage range in reference to U_N | 0.8 ... 1.1 |
| Nominal input current at U_N | 21 mA |
| Typical response time | 7 ms |
| Typical release time | 11 ms |

| | |
|------------------------------|---------------------------|
| Operating voltage display | Yellow LED |
| Name of protection | Polarity protection |
| Protective circuit/component | Polarity protection diode |

Contact side

| | |
|---------------------------------------|---|
| Contact type | Double contact, 1 PDT |
| Contact material | AgPd60 5 µm hard gold-plated |
| Maximum switching voltage | 30 V AC 36 V DC |
| Maximum inrush current | 0.2 A |
| Limiting continuous current | 0.5 A |
| Interrupting rating (ohmic load) max. | 5 W (for 24 V DC) |
| Note | the following values are applicable if a gold layer is destroyed |
| Maximum switching voltage | 125 V AC |
| Limiting continuous current | 2 A |
| Maximum inrush current | 2 A |
| Interrupting rating (ohmic load) max. | 29 W (for 24 V DC) 29 W (for 48 V DC) 29 W (for 60 V DC) |

General data

| | |
|--|---|
| Length | 75 mm |
| Height | 62.5 mm |
| Width | 10.6 mm |
| Test voltage relay winding/relay contact | 4 kV AC (50 Hz, 1 min) |
| Ambient temperature (operation) | -20 °C ... 40 °C |
| Ambient temperature (storage/transport) | -20 °C ... 70 °C |
| Operating mode | 100% operating factor |
| Service life mechanical | Approx. 2×10^7 cycles |
| Standards/regulations | IEC 60664 IEC 60664 A DIN VDE 0110 DIN EN 50178/DIN VDE 0160 (in relevant parts) Basic insulation |
| Pollution degree | 2 |
| Surge voltage category | III |

| | |
|-----------------------|---------------------------|
| Mounting position | Any |
| Assembly instructions | In rows with zero spacing |

Connection data

| | |
|--|---------------------|
| Type of connection | Screw connection |
| Conductor cross section solid min. | 0.2 mm ² |
| Conductor cross section solid max. | 4 mm ² |
| Conductor cross section stranded min. | 0.2 mm ² |
| Conductor cross section stranded max. | 2.5 mm ² |
| Conductor cross section AWG/kcmil min. | 24 |
| Conductor cross section AWG/kcmil max | 12 |
| Stripping length | 8 mm |
| Screw thread | M3 |

Certificates / Approvals

Approval logo



requested approbations

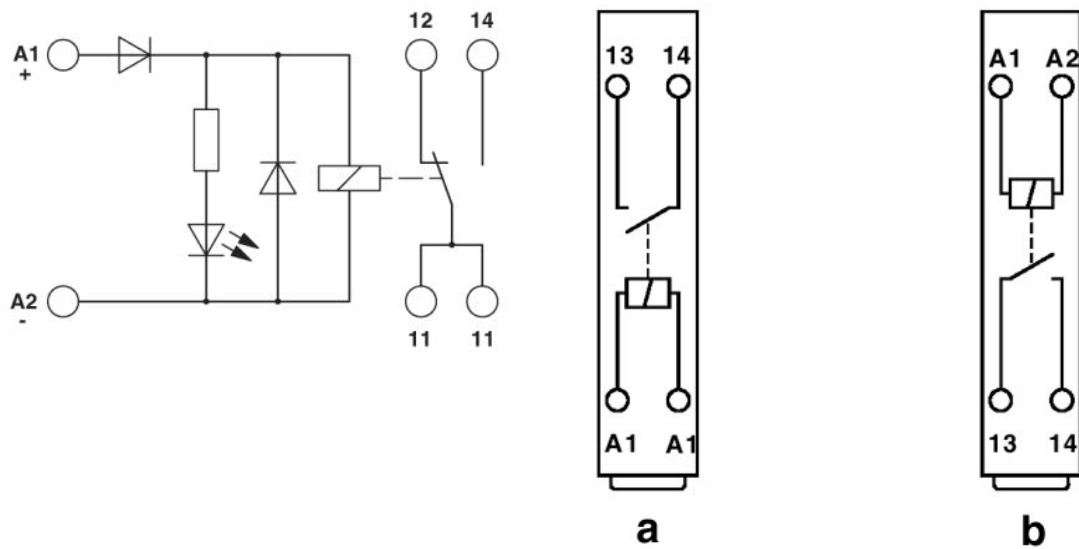
| | |
|---------------|---------------|
| Certification | CUL, GOST, UL |
|---------------|---------------|

Accessories

| Item | Designation | Description |
|----------------|-------------|--------------------------|
| Marking | | |
| 2947585 | EMG-SGKS 10 | Equipment marker, narrow |

Drawings

Circuit diagram



a = standard module: Coil connections bottom!
b = 180° inverted connection: Coil connections top!

Address

PHOENIX CONTACT Inc., USA
586 Fulling Mill Road
Middletown, PA 17057, USA
Phone (800) 888-7388
Fax (717) 944-1625
<http://www.phoenixcon.com>



© 2008 Phoenix Contact
Technical modifications reserved;