

ME 35 UT/FE GN

Order No.: 2907211

Illustration shows a fully mounted version of the electronic housing

<http://eshop.phoenixcontact.de/phoenix/treeViewClick.do?UID=2907211>

Lower part of housing, fully assembled, with integrated functional earth ground contact, and metal foot catch.

Commercial data

EAN	4017918131432
Pack	10 Pcs.
Customs tariff	85369010
Weight/Piece	0.06359 KG
Catalog page information	Page 535 (CC-2007)

Product notes

WEEE/RoHS-compliant since:
04/01/2005

<http://www.download.phoenixcontact.com>
Please note that the data given here has been taken from the online catalog. For comprehensive information and data, please refer to the user documentation. The General Terms and Conditions of Use apply to Internet downloads.

Technical data

General

Housing type	Component housing
Housing material	Polyamide
Color	green

Dimensions / positions

Length	99 mm
Width	35 mm
Number of positions	24

Technical data

Ambient temperature (operation)	-40 °C ... 105 °C
Connection in acc. with standard	CUL
Nominal voltage U_N	300 V
Nominal current I_N	10 A
AWG/kcmil	30-12
Indicator1	CUL1
Inflammability class acc. to UL 94	V0
Power dissipation at 20°C in the horizontal mounting position	7.9 W 16.3 W

Certificates / Approvals

Approval logo



CUL

Nominal voltage U_N	300 V
Nominal current I_N	10 A
AWG/kcmil	30-12

UL

Nominal voltage U_N	300 V
Nominal current I_N	10 A
AWG/kcmil	30-12

Accessories

Item	Designation	Description
------	-------------	-------------

Assembly

1909223	FKCT 2,5/ 3-ST	Plug component, nominal current: 12 A, rated voltage: 250 V, pitch: 5.0 mm, no. of positions: 3, type of connection: Spring-cage connection
2908265	ME 35 UTM	Intermediate element for modular extension of the volume of the housing in the pitch. The open intermediate element is 17.5 mm wide.
2906885	ME B-17,5 MKDSO GN	Cover caps for unoccupied terminal points
2906869	ME B-17,5 MSTBO GN	Cover caps, for unoccupied terminal points
2906911	ME LPZS	PCB stop, for soldering onto PCB
2908281	ME MF 17,5	Metal foot catch, for intermediate elements.
2853899	ME-SAS	Shield connection clamp for printed circuit terminal block
1707221	MKDSO 2,5/ 3-L	Printed circuit termination block, for soldering into the printed circuit board, left
1707218	MKDSO 2,5/ 3-R	Printed circuit termination block, for soldering into the printed circuit board, right
1861028	MSTBO 2,5/ 3-G1L	COMBICON header, for soldering into the printed circuit board, left
1861031	MSTBO 2,5/ 3-G1R	COMBICON header, for soldering into the printed circuit board, right
1779848	MSTBT 2,5/ 3-ST	Plug component, nominal current: 12 A, rated voltage: 250 V, pitch: 5.0 mm, no. of positions: 3, type of connection: Screw connection

General

2906908	ME LP	PCB, for custom fitting, with contact to mounting rail (EN 60715)
1926248	MSTBT 2,5 HC/ 3-ST	COMBICON HC plug components, 5.0 mm pitch, color: green, no. of positions 3, dimension a 10 mm

Plug/Adapter

2908294	ME FE-CONTACT	Functional earth ground contact, for intermediate elements.
---------	---------------	---

Additional products

Item	Designation	Description
------	-------------	-------------

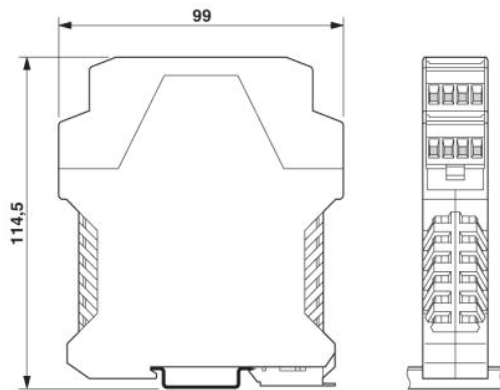
Assembly

2906843	ME 17,5 OT-MKDSO GN	Housing upper part, for printed circuit terminal block connection
---------	---------------------	---

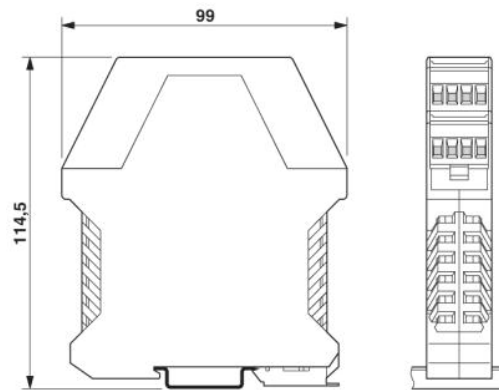
2907460	ME 17,5 OT-MKDSO SET	Housing upper part, complete with PCB termination blocks for full equipping. 12-pos., housing width: 17.5 mm
2906827	ME 17,5 OT-MSTBO GN	Upper part of housing, for COMBICON connection, double-level
2907431	ME 17,5 OT-MSTBO SET	Housing upper part, complete with COMBICON headers and screw connectors for full mounting of components. 12-pos., housing width: 17.5 mm

Drawings

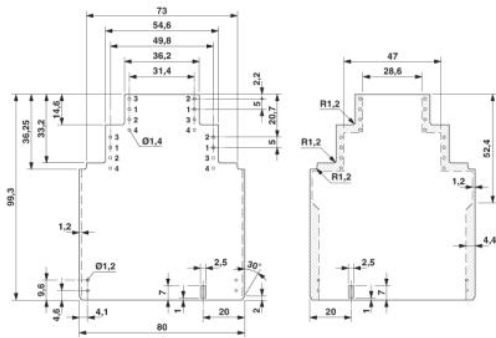
Dimensioned drawing



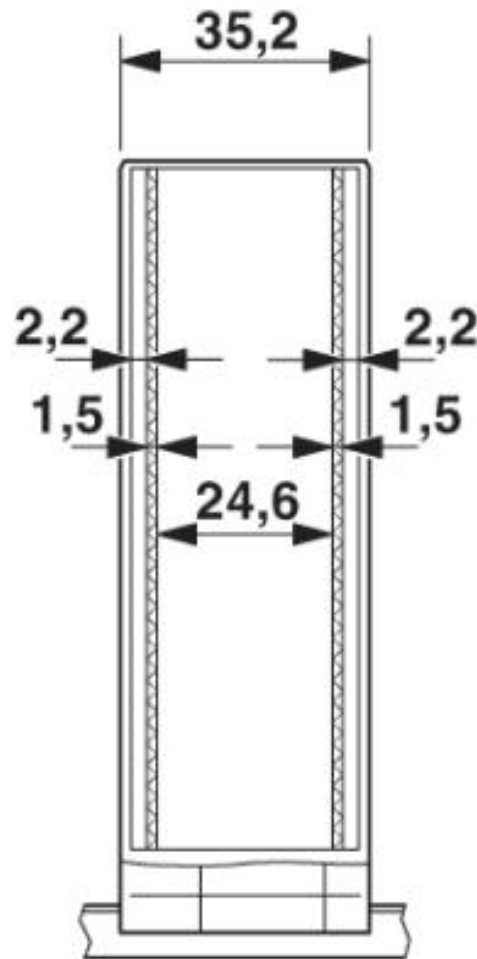
Dimensions of the electronic housing ME... with double-level upper part



Dimensions of the electronic housing ME... with double-level upper part



Dimensional drawing of the ME... printed circuit board if the double level upper part is used



Inner housing dimensions, electronic housing ME 35 ...

Address

PHOENIX CONTACT GmbH & Co. KG
Flachsmarktstr. 8
32825 Blomberg, Germany
Phone +49 5235 3 00
Fax +49 5235 3 41200
<http://www.phoenixcontact.de>



© 2008 Phoenix Contact
Technical modifications reserved;