

UEG 30/1

Order No.: 2790871

<http://eshop.phoenixcontact.de/phoenix/treeViewClick.do?UID=2790871>

Electronic housing, for PCB insertion, fully equipped with 4 screw or
tab connections per side

Commercial data

EAN	4017918072360
Pack	10 Pcs.
Customs tariff	85369010
Weight/Piece	0.06292 KG
Catalog page information	Page 519 (CC-2007)

Product notes

WEEE/RoHS-compliant since:
01/01/2003



[http://
www.download.phoenixcontact.com](http://www.download.phoenixcontact.com)
Please note that the data given
here has been taken from the
online catalog. For comprehensive
information and data, please refer
to the user documentation. The
General Terms and Conditions of
Use apply to Internet downloads.

Technical data

General

Housing type	Component housing
Housing material	polyamide (PA 6.6)
Color	green

Dimensions / positions

Length	79.5 mm
Width	30 mm
Number of positions	8

Technical data

Ambient temperature (operation)	-40 °C ... 105 °C
Inflammability class acc. to UL 94	V0
Power dissipation at 20°C in the horizontal mounting position	4 W 7.2 W

Connection data

Conductor cross section solid min.	0.2 mm ²
Conductor cross section solid max.	4 mm ²
Conductor cross section stranded min.	0.2 mm ²
Conductor cross section stranded max.	2.5 mm ²
Conductor cross section AWG/kcmil min.	24
Conductor cross section AWG/kcmil max	12
Stripping length	8 mm

Certificates / Approvals

Approval logo

**requested approbations**

Certification	GOST
---------------	------

Accessories

Item	Designation	Description
------	-------------	-------------

Bridges

2820916	DB 50- 90 BK	Wire bridge, 50-position, divisible, for bridging identical inputs and outputs, 0.5 mm ² , insulation: black
2820929	DB 50- 90 GY	Wire bridge, 50-position, divisible, for bridging identical inputs and outputs, 0.5 mm ² , insulation: gray

General

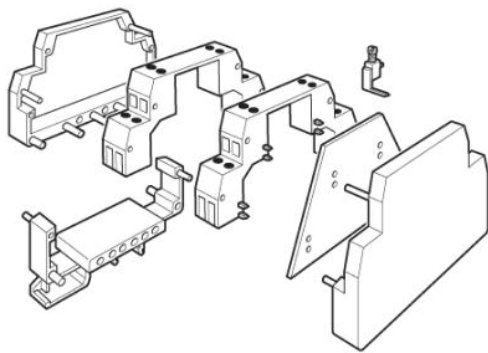
2790224	P 1-UEG	PCB for custom fitting electronic components
---------	---------	--

Marking

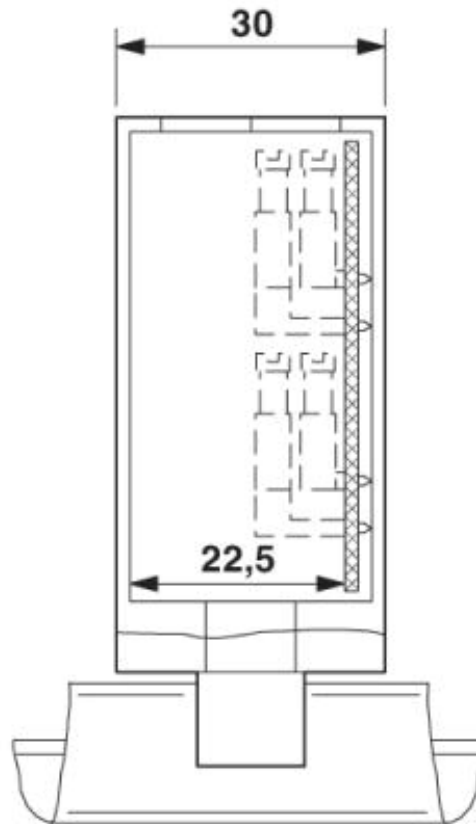
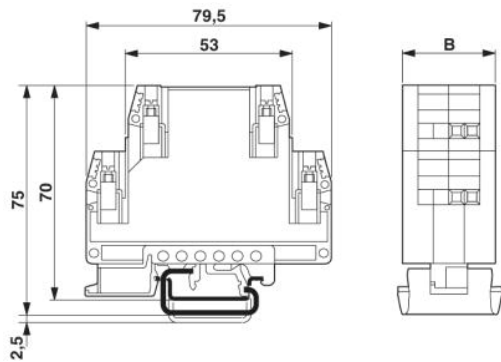
1050004	ZB 5 :UNBEDRUCKT	Zack strip, unprinted, 10-section, for individual labeling with M-PEN, ZB-T or CMS system, pack is sufficient for 100 terminal blocks, for a terminal width of 5.2 mm, color: White
---------	------------------	---

Drawings

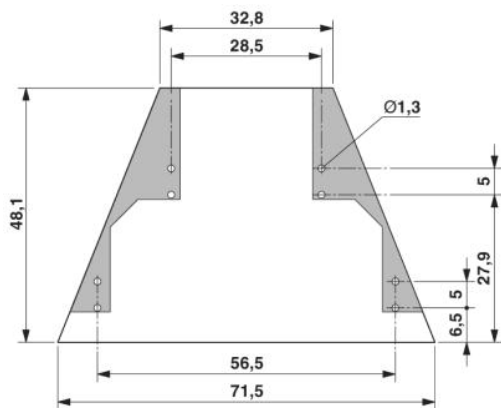
Explosion drawing



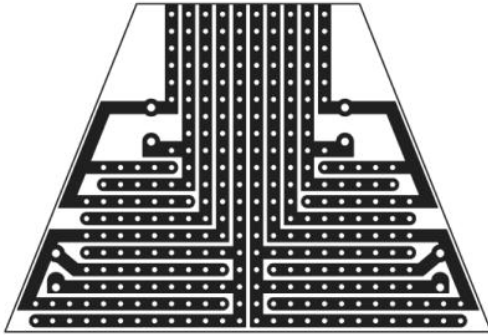
Dimensioned drawing



UEG 30/1, enlarged internal area, with 1 PCB, up to max. 8 positions



Schematic diagram



Address

PHOENIX CONTACT GmbH & Co. KG
Flachsmarktstr. 8
32825 Blomberg, Germany
Phone +49 5235 3 00
Fax +49 5235 3 41200
<http://www.phoenixcontact.de>



© 2008 Phoenix Contact
Technical modifications reserved;