

## P 1-UEG

Order No.: 2790224

<http://eshop.phoenixcontact.de/phoenix/treeViewClick.do?UID=2790224>

PCB for custom fitting electronic components

### Commercial data

EAN	4017918072308
Pack	10 Pcs.
Customs tariff	85340019
Weight/Piece	0.00693 KG
Catalog page information	Page 518 (CC-2007)

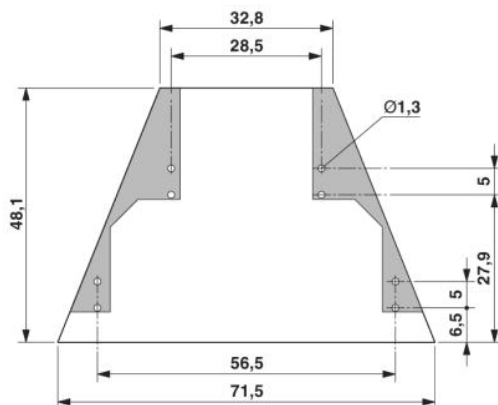
### Product notes

WEEE/RoHS-compliant since:  
11/01/2005

<http://www.download.phoenixcontact.com>  
Please note that the data given here has been taken from the online catalog. For comprehensive information and data, please refer to the user documentation. The General Terms and Conditions of Use apply to Internet downloads.

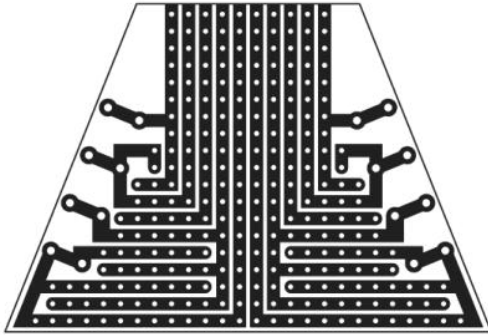
### Drawings

Dimensioned drawing



Schematic diagram

---



**Address**

PHOENIX CONTACT GmbH & Co. KG  
Flachsmarktstr. 8  
32825 Blomberg, Germany  
Phone +49 5235 3 00  
Fax +49 5235 3 41200  
<http://www.phoenixcontact.de>



© 2008 Phoenix Contact  
Technical modifications reserved;