

# KGG-MC 1,5/ 8

Order No.: 1834408



<http://eshop.phoenixcontact.de/phoenix/treeViewClick.do?UID=1834408>

Cable housing, for cable diameters of 4 - 11 mm, clamp, marker strips and transparent label carrier are included, color: green, no. of positions: 8

| Commercial data          |                    |
|--------------------------|--------------------|
| EAN                      | 4017918051921      |
| Pack                     | 10 Pcs.            |
| Customs tariff           | 85369010           |
| Weight/Piece             | 0.008734 KG        |
| Catalog page information | Page 167 (CC-2007) |

#### Product notes

WEEE/RoHS-compliant since:  
01/01/2003



<http://www.download.phoenixcontact.com>  
Please note that the data given here has been taken from the online catalog. For comprehensive information and data, please refer to the user documentation. The General Terms and Conditions of Use apply to Internet downloads.

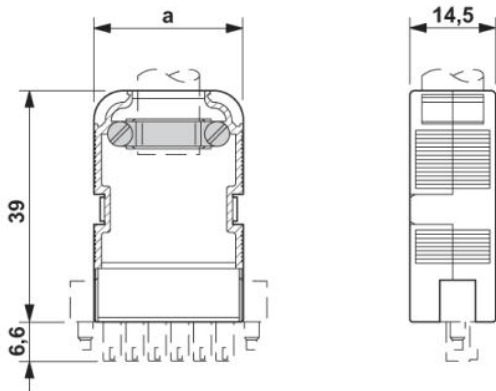
#### Accessories

| Item           | Designation     | Description  |
|----------------|-----------------|--|
| <b>Marking</b> |                 |  |
| 1839050        | KGG-MC 1,5/ DST | Transparent label carrier, can be marked with marker strips SBS 10 |

|         |                  |   |
|---------|------------------|---|
| 1007248 | SBS10:UNBEDRUCKT | Marker cards, unprinted, for individual labeling with the M-PEN, 250-section, perforated, white plastic |
|---------|------------------|---|

**Drawings**

Dimensioned drawing



**Address**

PHOENIX CONTACT GmbH & Co. KG  
Flachmarktstr. 8  
32825 Blomberg, Germany  
Phone +49 5235 3 00  
Fax +49 5235 3 41200  
<http://www.phoenixcontact.de>



© 2008 Phoenix Contact  
Technical modifications reserved;