

**SAC-3P-M12Y/2XM12FS B PE**

Order No.: 1683413

<http://eshop.phoenixcontact.de/phoenix/treeViewClick.do?UID=1683413>Y-distributor, 3-pos. +PE, straight M12 plug on 2 x straight M12  
socket, PIN 2+4 bridged**Commercial data**

EAN	4017918164171
Pack	5 Pcs.
Customs tariff	85366990
Weight/Piece	0.02927 KG
Catalog page information	Page 88 (PC-2007)

**Product notes**WEEE/RoHS-compliant since:  
10/24/2006

<http://www.download.phoenixcontact.com>  
Please note that the data given here has been taken from the online catalog. For comprehensive information and data, please refer to the user documentation. The General Terms and Conditions of Use apply to Internet downloads.

**Technical data****General data**

Nominal current $I_N$	4 A
Nominal voltage $U_N$	60 V
Number of positions	3
Volume resistance	$\leq 5 \text{ m}\Omega$
Insulation resistance	$\geq 100 \text{ M}\Omega$

Ambient temperature (operation)	-25 °C ... 90 °C
<b>General characteristics</b>	
Coding	A - standard
Inflammability class acc. to UL 94	HB
Surge voltage category	II
Pollution degree	3
Degree of protection	IP65/IP68/IP69K
Contact material	CuZn
Contact surface material	Ni/Au
Contact carrier material	TPU GF
Material of grip body	TPU, hardly inflammable, self-extinguishing
Material, knurls	Zinc die-cast, (nickel-plated)
Sealing material	NBR
Status display	No

**Certificates / Approvals**

Approval logo

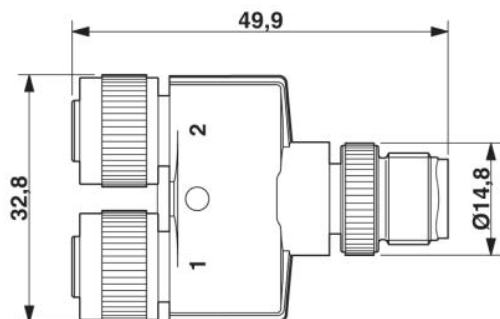


**requested approbations**

Certification	CUL Listed, UL Listed
---------------	-----------------------

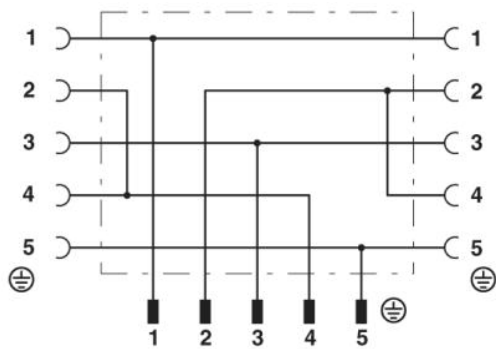
**Drawings**

Dimensioned drawing



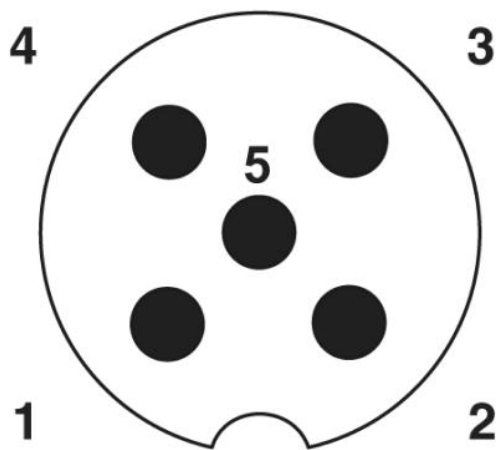
M12 Y distributor

Circuit diagram

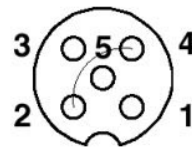


Contact assignment of the M12 Y-distributor

Schematic diagram



Pin assignment M12 male connector, 5-pos., A-coded, male side



Pin assignment M12 female connector, 5-pos., A-coded, female side

**Address**

PHOENIX CONTACT GmbH & Co. KG  
Flachmarktstr. 8  
32825 Blomberg, Germany  
Phone +49 5235 3 00  
Fax +49 5235 3 41200  
<http://www.phoenixcontact.de>



© 2008 Phoenix Contact  
Technical modifications reserved;