

**VS-BH-M12FSD-RJ45/180**

Order No.: 1657494

<http://eshop.phoenixcontact.de/phoenix/treeViewClick.do?UID=1657494>Control cabinet feed-through, M12, 4-pos., D-coded on RJ45 socket,  
socket input 180°, IP65/67

Ethernet

Commercial data	
EAN	4046356100090
Pack	1 pcs.
Customs tariff	85366990
Weight/Piece	0.0372 KG
Catalog page information	Page 87 (NTK-2008)

## Product notes

WEEE/RoHS-compliant since:  
10/14/2005

<http://www.download.phoenixcontact.com>  
Please note that the data given here has been taken from the online catalog. For comprehensive information and data, please refer to the user documentation. The General Terms and Conditions of Use apply to Internet downloads.

**Technical data****Mechanical characteristics**

Number of positions	4
Color	black
Ambient temperature (operation)	-25 °C ... 85 °C

**Material data**

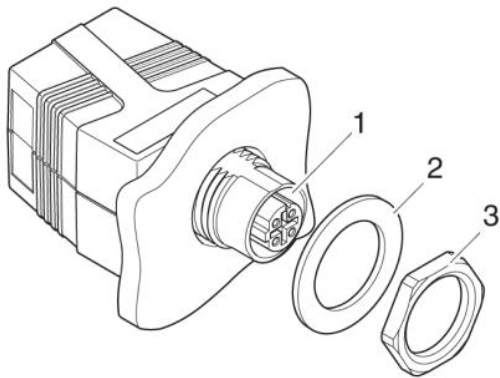
Housing material	PA
Contact material	Copper alloy
Degree of protection	IP65/IP67
Inflammability class acc. to UL 94	V0

**Electrical characteristics**

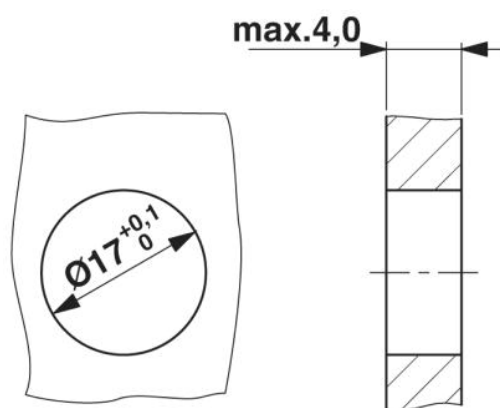
Number of positions	4
Transmission characteristics (category)	CAT5 (IEC 11801:2002), CAT5e (TIA 568B:2001)
Rated current	1 A

**Drawings**

Explosion drawing



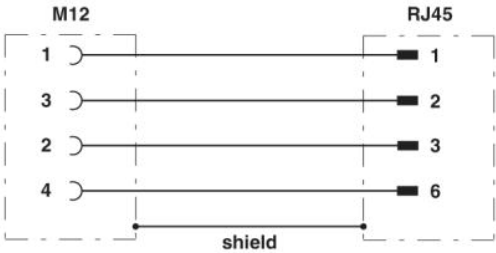
Dimensioned drawing



Panel cutout

Circuit diagram

---



**Address**

PHOENIX CONTACT Inc., USA  
586 Fulling Mill Road  
Middletown, PA 17057, USA  
Phone (800) 888-7388  
Fax (717) 944-1625  
<http://www.phoenixcon.com>



© 2009 Phoenix Contact  
Technical modifications reserved;