

# SACC-DSI-FSD-4CON-L180/12 SCO

Order No.: 1552272



<http://eshop.phoenixcontact.de/phoenix/treeViewClick.do?UID=1552272>

Bus system flush-type socket, ETHERNET, 4-pos., M12 SPEEDCON, D-coded, rear/screw mounting with PG9 thread, with straight solder connection, design with 12 mm long solder pins

**Ethernet**

## Commercial data

EAN	4046356162128
Pack	20 pcs.
Customs tariff	85366990
Weight/Piece	0.0144 KG
Catalog page information	Page 23 (PC-2007)

## Product notes

WEEE/RoHS-compliant since:  
04/13/2007



<http://www.download.phoenixcontact.com>  
Please note that the data given here has been taken from the online catalog. For comprehensive information and data, please refer to the user documentation. The General Terms and Conditions of Use apply to Internet downloads.

## Technical data

### General data

Nominal current $I_N$	4 A
Nominal voltage $U_N$	250 V
Number of positions	4
Volume resistance	$\leq 3 \text{ m}\Omega$

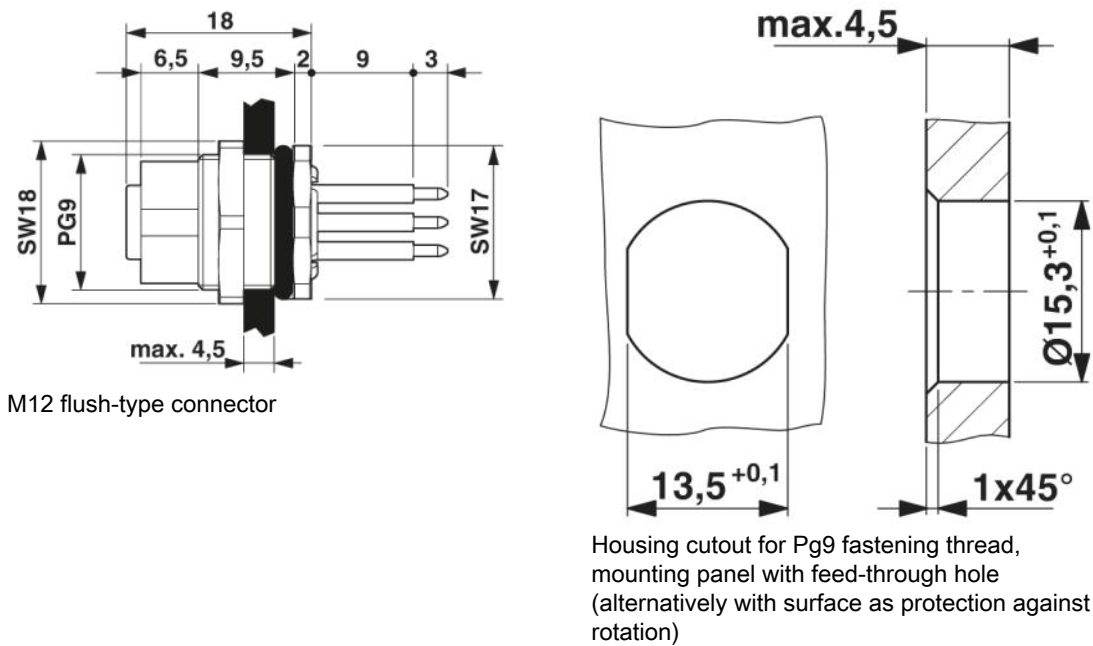
Insulation resistance	≥ 100 MΩ
Ambient temperature (operation)	-25 °C ... 85 °C (plug/socket)

**General characteristics**

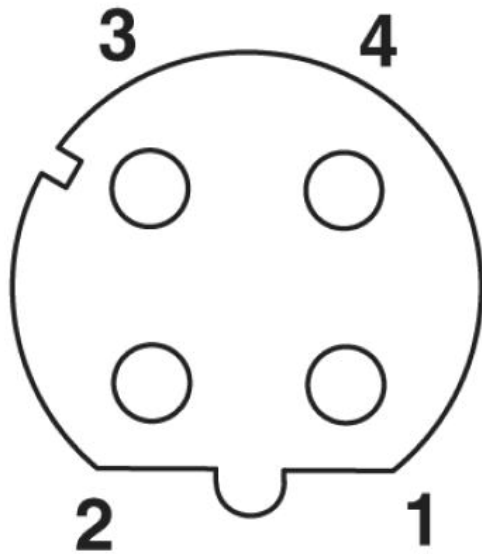
Coding	D - data
Inflammability class acc. to UL 94	V0
Surge voltage category	II
Pollution degree	3
Degree of protection	IP67
Contact material	CuZn
Contact surface material	Au
Contact carrier material	PA 66
Material, knurls	Zinc die-cast, (nickel-plated)
Sealing material	NBR
Mounting type	Rear mounting, Pg9 thread with flat nut
Type of connection	Solder pins
Length of the solder contacts	12 mm
Status display	No

**Drawings**

Dimensioned drawing



Schematic diagram



Pin assignment M12 female connector, 4-pos., D-coded, female side

**Address**

PHOENIX CONTACT Inc., USA  
586 Fulling Mill Road  
Middletown, PA 17057, USA  
Phone (800) 888-7388  
Fax (717) 944-1625  
<http://www.phoenixcon.com>



© 2009 Phoenix Contact  
Technical modifications reserved;