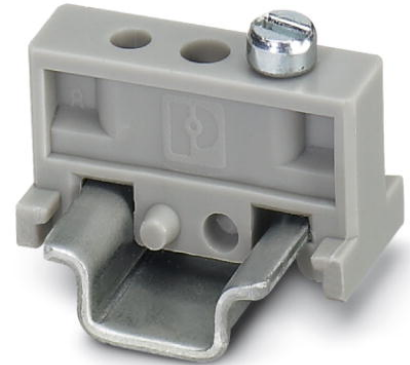


**E/MBK**

Order No.: 1401637

<http://eshop.phoenixcontact.de/phoenix/treeViewClick.do?UID=1401637>

End bracket, width: 6.2 mm, color: gray

**Commercial data**

EAN	4017918020484
Pack	100 Pcs.
Customs tariff	39269097
Weight/Piece	0.001651 KG
Catalog page information	Page 356 (CL-2007)

**Product notes**WEEE/RoHS-compliant since:  
01/01/2003

<http://www.download.phoenixcontact.com>  
Please note that the data given here has been taken from the online catalog. For comprehensive information and data, please refer to the user documentation. The General Terms and Conditions of Use apply to Internet downloads.

**Technical data****General data**

Height	11.4 mm
Length	22 mm
Width	6.1 mm
Material	PA
Coating	3.2 mm fixing hole

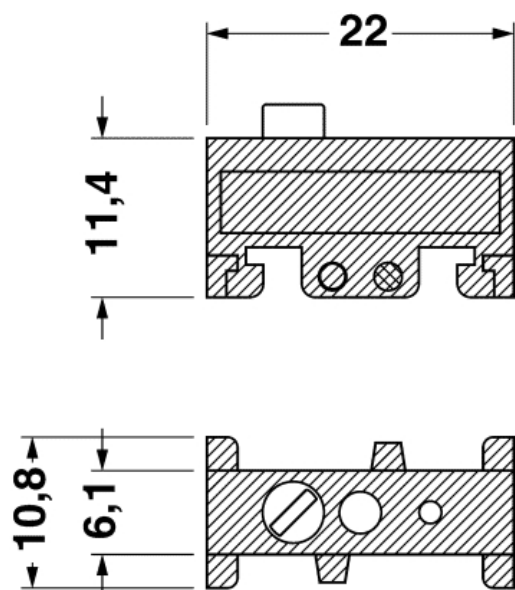
Color	gray
Inflammability class acc. to UL 94	V2

### Accessories

Item	Designation	Description
<b>Assembly</b>		
1401763	NS 15 AL PERF 2000MM	DIN rail, material: Aluminum, perforated, height 5.5 mm, width 15 mm, length: 2 m
1401682	NS 15 PERF 2000MM	DIN rail, material: steel, perforated, height 5.5 mm, width 15 mm, length: 2 m
1401695	NS 15 UNPERF 2000MM	DIN rail, material: Steel, unperforated, height 5.5 mm, width 15 mm, length: 2 m

### Drawings

Dimensioned drawing



**Address**

PHOENIX CONTACT GmbH & Co. KG  
Flachsmarktstr. 8  
32825 Blomberg, Germany  
Phone +49 5235 3 00  
Fax +49 5235 3 41200  
<http://www.phoenixcontact.de>



© 2008 Phoenix Contact  
Technical modifications reserved;