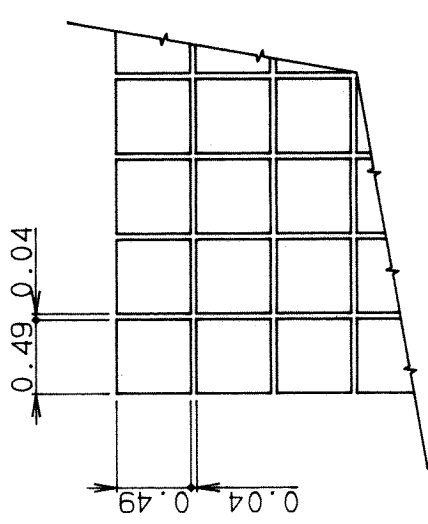
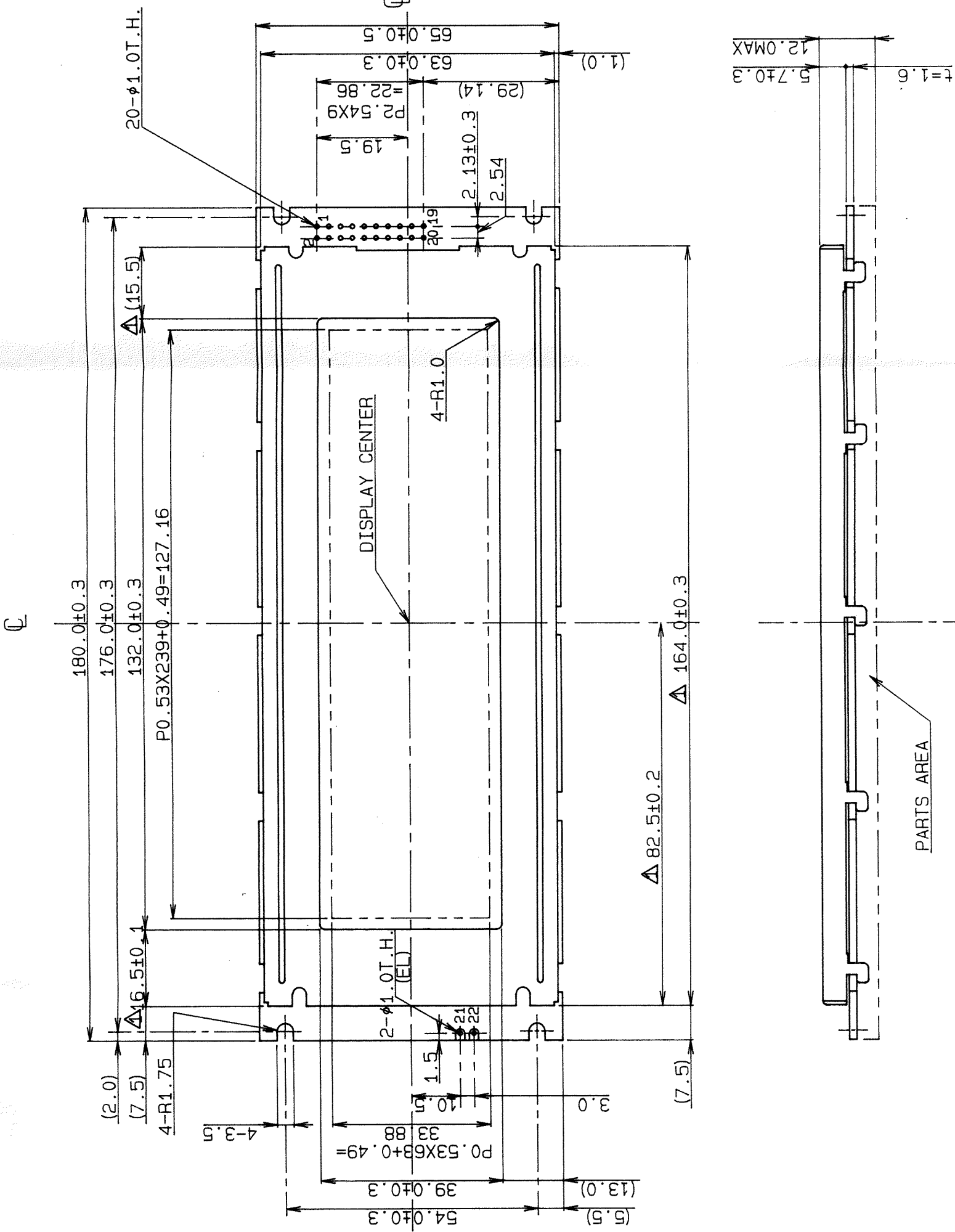


PIN ASSIGNMENT

PIN No.	SYMBOL
1	FG
2	V _{SS}
3	V _{CC}
4	V _{EE}
5	WR
6	RD
7	CE
8	C/D
9	NC
10	RESET
11	D0
12	D1
13	D2
14	D3
15	D4
16	D5
17	D6
18	D7
19	FS
20	NC
21	EL 1)
22	EL 1)

ISSUED
'00.9.-4
OPTREX Corp.



DOT DETAIL (20:1)

NOTE) 1. USE FOR EL TYPE ONLY.

TOLERANCE	A	B	C
MEASURE	±0.1	±0.3	±1
1≤L16	±0.2	±0.5	±1.5
16<L≤63	±0.3	±0.8	±2
63<L≤250	±0.5	±1.2	±3
250<L≤500	±0.8	±2	±4
500<L≤1000	±1.0	±3	±5

ANGLE	±30'	±1'	±2'
-------	------	-----	-----

REV	DATE	ISSUE	REVISIONS	NAME
1	Jan 14 '93	Y. Y	CHANGE OF MODEL NAME (X1)	Y. Y
2	Apr 15 '88	S. M	ADDITION OF DIMENSION (X4)	S. M

MATERIAL	FINISH	Q'ty	NOTE
3rd ANGLE PROJECTION	TOLERANCE CLASS: A	SCALE: 1:1 (20:1)	
APPROVED JAN 14 '93	MODEL ADMF5005Series		
CHECKED JAN 14 '93	TITLE DIMENSIONAL OUTLINE		
DRAWN JAN 14 '93	CODE		
DESIGNED JAN 14 '88	DRAWING No. UE-31806B		
S. MATUOKA			