

50 SERIES

NEC

NEL-D32-50 (standard)
 NEL-D32-50(1) (without cover)
 D32-50 TRANS(transformer)

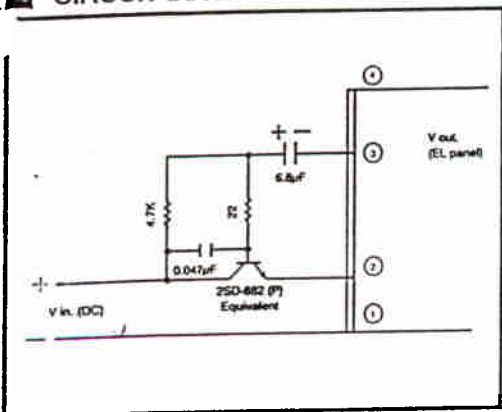
MAXIMUM RATING

| | |
|-------------------------------|---------------------|
| Input voltage | 6vDC |
| Load (lamp surface area) | 210 cm ² |
| Storage temperature | -20-70°C |
| Operating ambient temperature | -10-55°C |

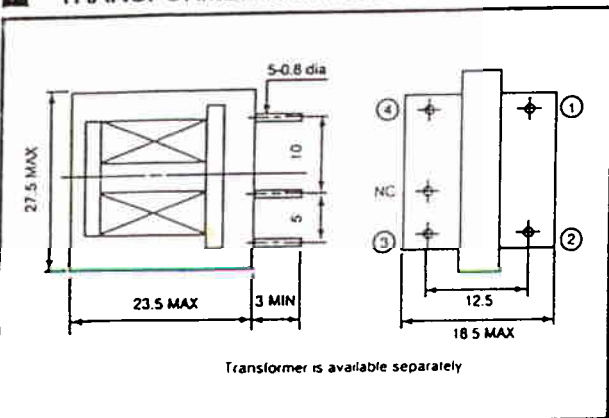
ACCEPTABLE OPERATING RANGE

| | |
|--------------------------|-----------------------|
| Input voltage | 3-5.5v DC |
| Load (lamp surface area) | 83-190cm ² |

CIRCUIT DIAGRAM

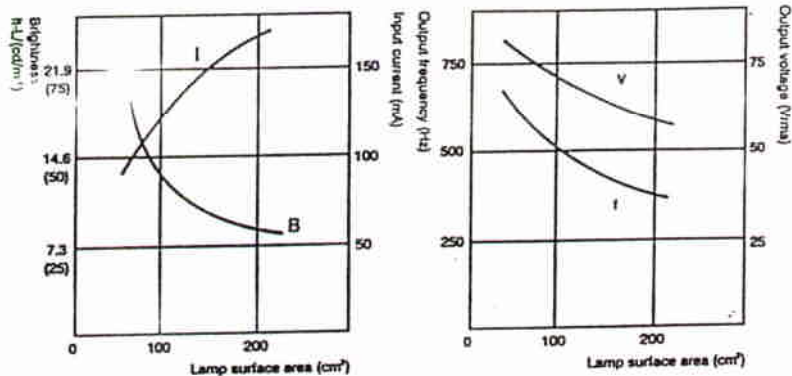


TRANSFORMER DIMENSIONS



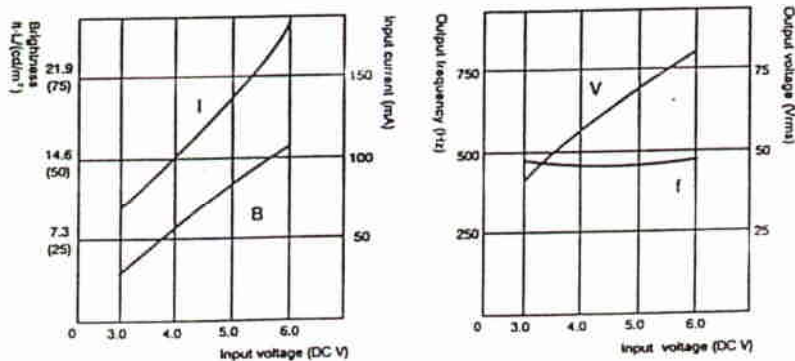
LOAD CHARACTERISTICS

(V_{in}=5VDC)



INPUT VOLTAGE CHARACTERISTICS

(At 130 cm²)



INVERTER DIMENSIONS

