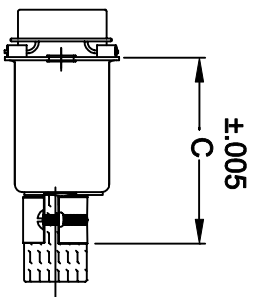
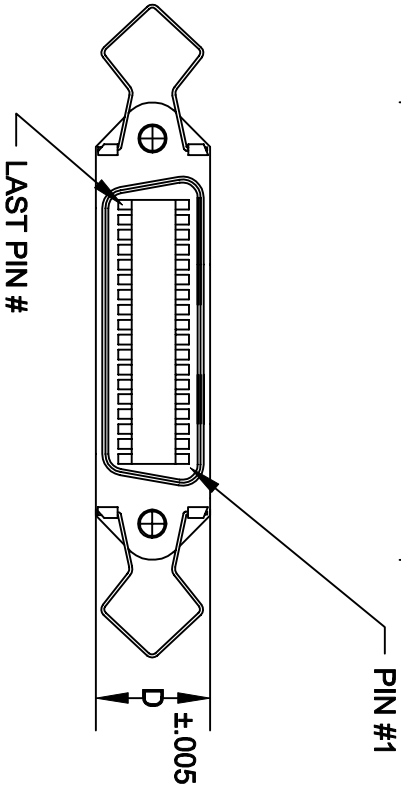
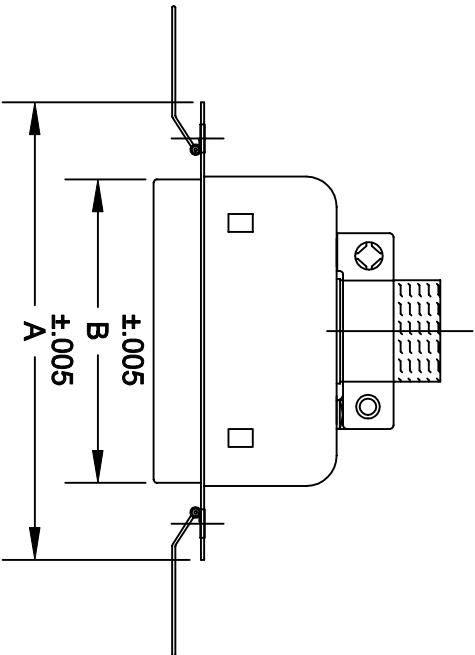


DESCRIPTION: FEMALE CENTRONICS BACKSHELL KIT



	A	B	C	D
014	1.729	.992	1.252	.622
014	43.92	25.20	31.79	15.80
024	2.167	1.417	1.225	.622
024	55.05	36.00	31.11	15.80
036	2.665	1.925	1.295	.622
036	67.80	48.90	32.90	15.80
050	3.260	2.520	1.407	.622
050	82.80	64.00	35.75	15.80

110-XXX-193-001

SERIES _____
 POSITIONS _____
 014 _____
 024 _____
 036 _____
 050 _____

GENDER _____
 1 = MALE
 2 = FEMALE

TERMINATION _____
 9 = IDC

SHELL PLATING _____
 3 = NICKEL

HARDWARE OPTIONS _____
 00 = NO HARDWARE

PLATING OPTIONS _____
 01 = GOLD FLASH

MATERIALS:

INSULATOR: GLASS-FILLED THERMOPLASTIC

UL RATED 94V-0

CONTACTS: COPPER ALLOY

ELECTRICALS:

CONTACT CURRENT RATING: 5 AMPS

DIELECTRIC WITHSTANDING VOLTAGE: AC 1200 R.M.S.

INSULATION RESISTANCE: 1000 mohms MINIMUM AT 500V DC

CONTACT RESISTANCE: 30 mOHMS MAXIMUM

OPERATING TEMPERATURE: -55°C TO +125°C



THESE DRAWINGS AND SPECIFICATIONS ARE THE PROPERTY OF NorComp AND SHALL NOT BE REPRODUCED, COPIED OR USED AS THE BASIS FOR THE MANUFACTURE OF SALE OF APPARATUS WITHOUT WRITTEN PERMISSION.

DRAWN: WAYNE ROBBINS
 DATE: 9-17-98

CHECKED: _____
 DATE: _____

SCALE: 1:1
 SHEET 1 OF 1
 REV 2

NorComp

DWG NO. 110-XXX-293-001