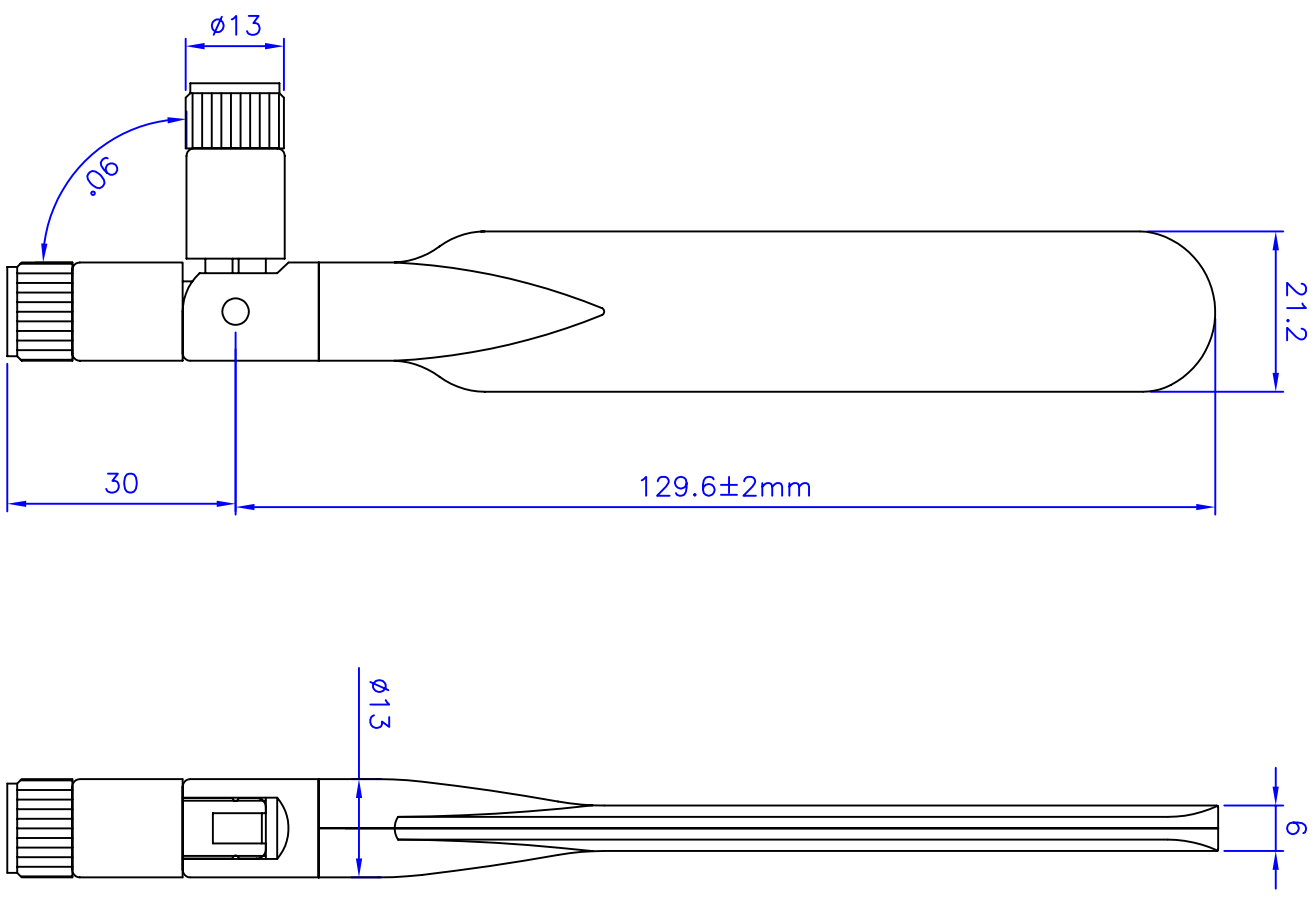


Connector code	Description	P / N
-XX-		
AM	SMA plug	T6140AM-AGDPU-S
AH	SMA plug revers polarity	T6140AH-AGDPU-S



Electrical Properties:

Frequency Range: 824~896MHz
 AMPS: 890~860MHz
 GSM: 1850~1990MHz
 PCS: 1710~1880MHz
 DCS: 1920~2170MHz
 UMTS: 50Ω nominal
 Impedance: ADGP <2.0:1 ; UMTS <3.0:1
 VSWR: 2dBi
 Gain: Omni
 Radiation: Vertical
 Polarization: Vertical

Mechanical Properties:

Connector: SMA
 Material: Polycarbonate(Black)
 Whip: Brass with black chrome plating
 Swivel Mechanism: Polycarbonate(Black)
 Connector: Brass with black chrome plating
 Operation Temp.: -20°C to +65°C
 Storage Temp.: -30°C to +75°C

TITLE	Multiple Band Swivel Antenna		VER
UNIT	6140 model		1.0
SCALE	mm		
NONE	DWG. NO. T6140XX-AGDPU-S		
NEARSON			