

LH0094 Multifunction Converter

General Description

The LH0094 multifunction converter generates an output voltage per the transfer function:

$$E_O = V_y \left(\frac{V_z}{V_x} \right)^m, 0.1 \leq m \leq 10, m \text{ continuously adjustable}$$

m is set by 2 resistors.

Features

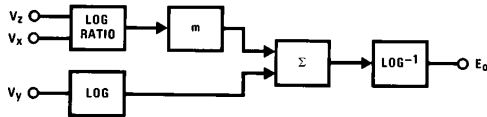
- Low cost
- Versatile
- High accuracy—0.05%
- Wide supply range—±5V to ±22V

- Minimum component count
- Internal matched resistor pair for setting $m=2$ and $m=0.5$

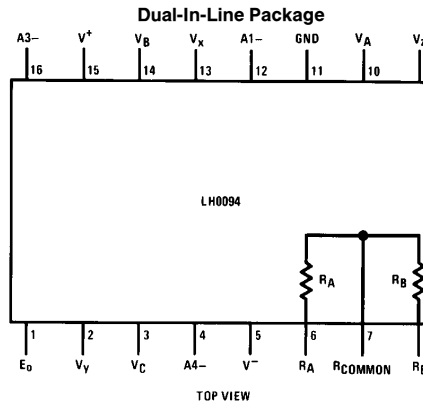
Applications

- Precision divider, multiplier
- Square root
- Square
- Trigonometric function generator
- Companding
- Linearization
- Control systems
- Log amp

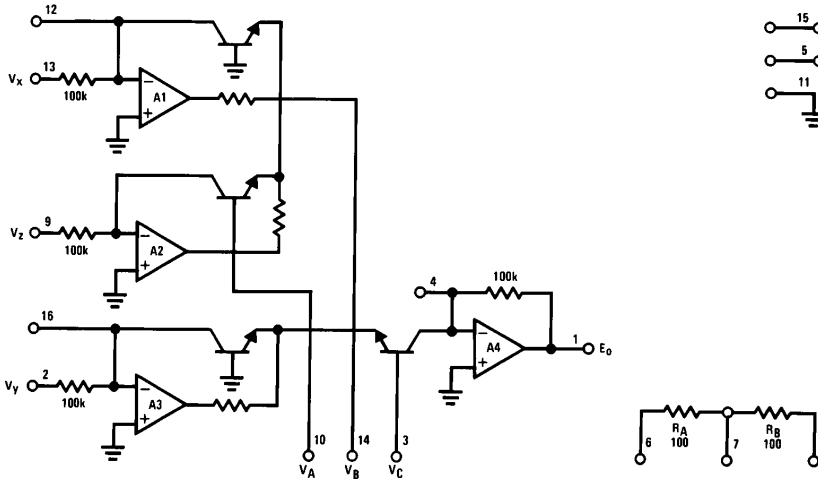
Block and Connection Diagrams



Order Number LH0094CD
See NS Package Number D16D



Simplified Schematic



TL/H/5695-1

Absolute Maximum Ratings (Note 1)

If Military/Aerospace specified devices are required, please contact the National Semiconductor Sales Office/Distributors for availability and specifications.

Supply Voltage	±22V
Input Voltage	±22V
Output Short-Circuit Duration	Continuous

Operating Temperature Range LH0094CD	-25°C to +85°C
Storage Temperature Range LH0094CD	-55°C to +125°C
Lead Temperature (Soldering, 10 seconds)	260°C

Electrical Characteristics

$V_S = \pm 15V$, $T_A = 25^\circ C$ unless otherwise specified. Transfer function: $E_O = V_Y \frac{V_Z^m}{V_X}$; $0.1 \leq m \leq 10$; $0V \leq V_X, V_Y, V_Z \leq 10V$

Parameter	Conditions	LH0094C			Units
		Min	Typ	Max	
ACCURACY					
Multiply Untrimmed	$E_O = V_Z V_Y$ ($0.03 \leq V_Y \leq 10V$; $0.01 \leq V_Z \leq 10V$) (Figure 2)		0.45	0.9	% F.S. (10V)
External Trim	(Figure 3) vs. Temperature		0.1 0.2		% F.S. mV/°C
Divide Untrimmed	$E_O = 10V_Z/V_X$ (Figure 4), ($0.5 \leq V_X \leq 10$; $0.01 \leq V_Z \leq 10$)		0.45	0.9	% F.S.
External Trim	(Figure 5), ($0.1 \leq V_X \leq 10$; $0.01 \leq V_Z \leq 10$) vs. Temperature		0.1 0.2		% F.S. mV/°C
Square Root Untrimmed	$E_O = 10\sqrt{V_Z/10}$ (Figure 8), ($0.03 \leq V_Z \leq 10$)		0.45	0.9	% F.S.
External Trim	(Figure 9), ($0.01 \leq V_Z \leq 10$)		0.15		% F.S.
Square Untrimmed	$E_O = 10(V_Z/10)^2$ ($0.1 \leq V_Z \leq 10$) (Figure 6)	1.0	2.0		% F.S.
External Trim	(Figure 7)	0.15			% F.S.
Low Level Square Root	$E_O = \sqrt{10V_Z}$; $5.0mV \leq V_Z \leq 10V$, (Figure 10)		0.05		% F.S.
Exponential Circuits	$m = 0.2$, $E_O = 10(V_Z/10)^2$ (Figure 11), ($0.1 \leq V_Z \leq 10$) $m = 5.0$, $E_O = 10(V_Z/10)^5$ (Figure 11), ($1.0 \leq V_Z \leq 10$)		0.08 0.08		% F.S. % F.S.
OUTPUT OFFSET					
	$V_X = 10V$, $V_Y = V_Z = 0$		5.0	10	mV
AC CHARACTERISTICS					
3 dB Bandwidth	$m = 1.0$, $V_X = 10V$, $V_Y = 0.1 V_{rms}$ 10 Hz to 1.0 kHz, $m = 1.0$, $V_Y = V_Z = 0V$		10		kHz
Noise	$V_X = 10V$ $V_X = 0.1V$		100 300		$\mu V/rms$ $\mu V/rms$
EXPONENT					
m		0.2 to 5.0	0.1 to 10		
INPUT CHARACTERISTICS					
Input Voltage	(For Rated Performance)	0		10	V
Input Impedance	(All Inputs)	98	100		k Ω
OUTPUT CHARACTERISTICS					
Output Swing	($R_L \leq 10k$)	10	12		V
Output Impedance			1.0		Ω
Supply Current	($V_S = \pm 15V$) (Note 1)		3.0	5.0	mA

Note 1: Refer to RETS0094D drawing for specifications of the military LH00940 version.

Applications Information

GENERAL INFORMATION

Power supply bypass capacitors (0.1 μF) are recommended for all applications.

The LH0094 series is designed for positive input signals only. However, negative input up to the supply voltage will not damage the device.

A clamp diode (*Figure 1*) is recommended for those applications in which the inputs may be subjected to open circuit or negative input signals.

For basic applications (multiply, divide, square, square root) it is possible to use the device without any external adjustments or components. Two matched resistors are provided internally to set m for square or square root.

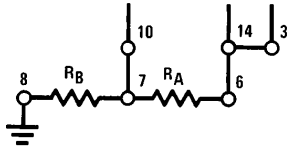
When using external resistors to set m , such resistors should be as close to the device as possible.

SELECTION OF RESISTORS TO SET m

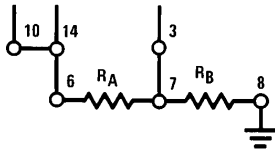
Internal Matched Resistors

R_A and R_B are matched internal resistors. They are $100\Omega \pm 10\%$, but matched to 0.1%.

(a) $m = 2^*$



(b) $m = 0.5^*$



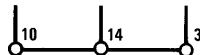
TL/H/5695-2

*No external resistors required, strap as indicated

External Resistors

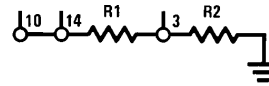
The exponent is set by 2 external resistors or it may be continuously varied by a single trim pot. ($R_1 + R_2 \leq 500\Omega$).

(a) $m = 1$



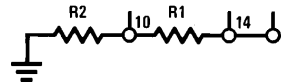
TL/H/5695-3

(b) $m < 1$



$$m = \frac{R_2}{R_1 + R_2} R_1 + R_2 \approx 200\Omega$$

(c) $m > 1$



$$m = \frac{R_1 + R_2}{R_2}$$

TL/H/5695-4

ACCURACY (ERROR)

The accuracy of the LH0094 is specified for both externally adjusted and unadjusted cases.

Although it is customary to specify the errors in percent of full-scale (10V), it is seen from the typical performance curves that the actual errors are in percent of reading. Thus, the specified errors are overly conservative for small input voltages. An example of this is the LH0094 used in the multiplication mode. The specified typical error is 0.25% of full-scale (25 mV). As seen from the curve, the unadjusted error is ≈ 25 mV at 10V input, but the error is less than 10 mV for inputs up to 1V. Note also that if either the multiplicand or the multiplier is at less than 10V, (5V for example) the unadjusted error is less. Thus, the errors specified are at full-scale—the worst case.

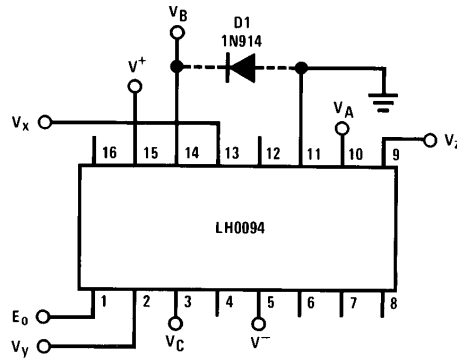
The LH0094 is designed such that the user is able to externally adjust the gain and offset of the device—thus trim out all of the errors of conversion. In most applications, the gain adjustment is the only external trim needed for super accuracy—except in division mode, where a denominator offset adjust is needed for small denominator voltages.

EXPONENTS

The LH0094 is capable of performing roots to 0.1 and powers up to 10. However, care should be taken when applying these exponent—otherwise, results may be misinterpreted. For example, consider the $1/10$ th power of a number: i.e., 0.001 raised to 0.1 power is 0.5011; 0.1 raised to the 0.1 power is 0.7943; and 10 raised to the 0.1 power is 1.2589. Thus, it is seen that while the input has changed 4 decades, the output has only changed a little more than a factor of 2. It is also seen that with as little as 1 mV of offset, the output will also be greater than zero with zero input.

Applications Information (Continued)

1. CLAMP DIODE CONNECTION



$$E_0 = V_y \left(\frac{V_z}{V_x} \right)^m$$

$$0.1 \leq m \leq 10$$

Note. This clamp diode connection is recommended for those applications in which the inputs may be subject to open circuit or negative signals.

FIGURE 1. Clamp Diode Connection

2. MULTIPLY

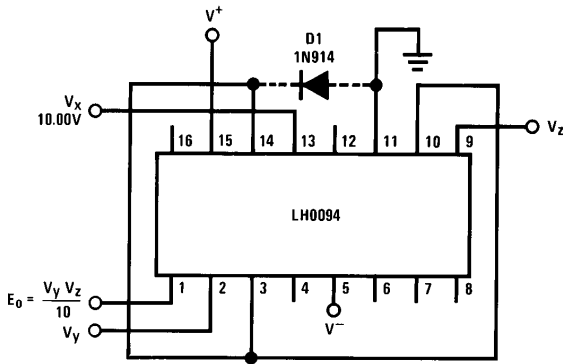


FIGURE 2a. LH0094 Used to Multiply (No External Adjustment)

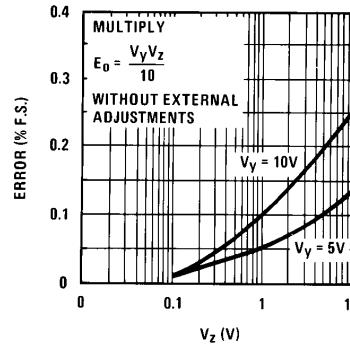
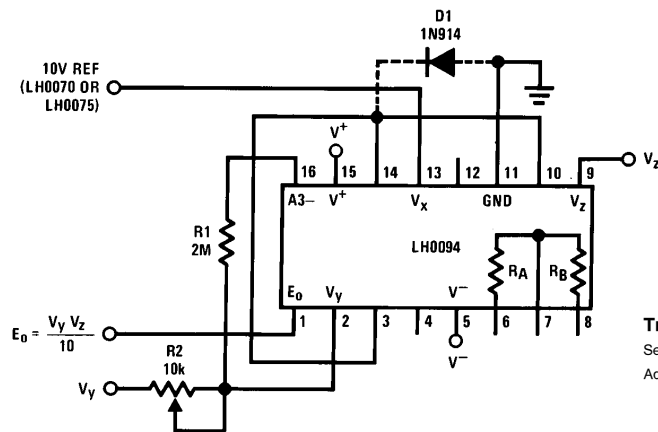


FIGURE 2b. Typical Performance of LH0094 in Multiply Mode Without External Adjustment



$$E_0 = \frac{V_y V_z}{10} \quad m = 1$$

Trim Procedure

Set $V_z = V_y = 10V$
Adjust R2 until output = 10.000V

FIGURE 3. Precision Multiplier (0.02% Typ) with 1 External Adjustment

TL/H/5695-5

Applications Information (Continued)

3. DIVIDE

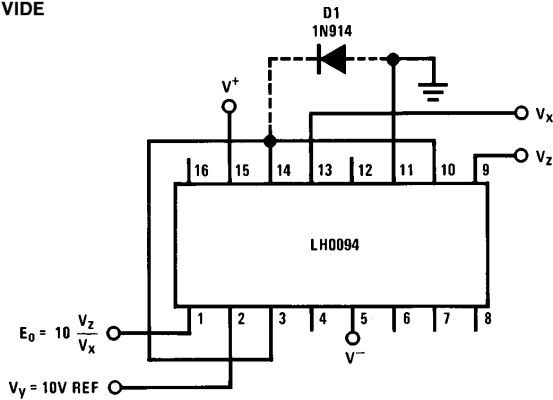


FIGURE 4a. LH0094 Used to Divide (No External Adjustment)

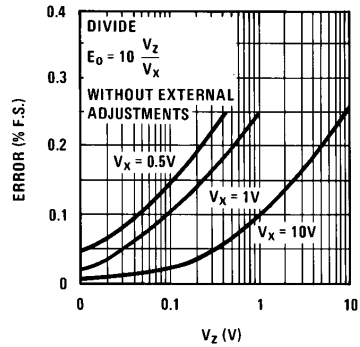


FIGURE 4b. Typical Performance, Divide Mode, Without External Adjustments

Trim Procedures

- Apply 10V to V_y , 0.1V to V_x and V_z . Adjust R3 until $E_o = 10.000V$.
- Apply 10.000V to all inputs. Adjust R2 until $E_o = 10.000V$.
- Repeat procedure.

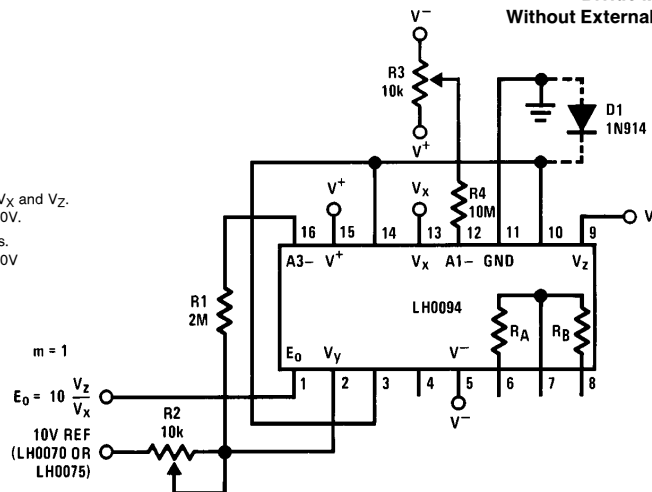


FIGURE 5. Precision Divider (0.05% Typ)

4. SQUARE

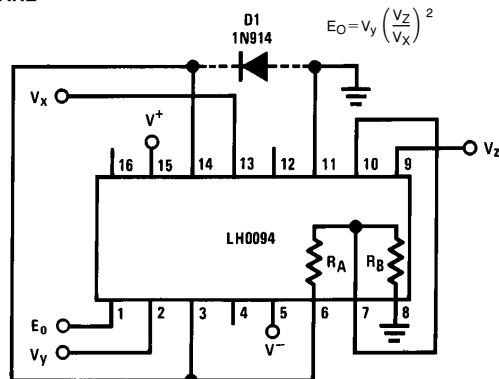


FIGURE 6a. Basic Connection of LH0094 ($m=2$) without External Adjustment Using Internal Resistors to Set m

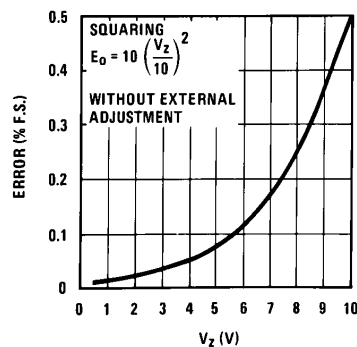


FIGURE 6b. Squaring Mode without External Adjustment

TL/H/5695-6

Applications Information (Continued)

4. SQUARE (Continued)

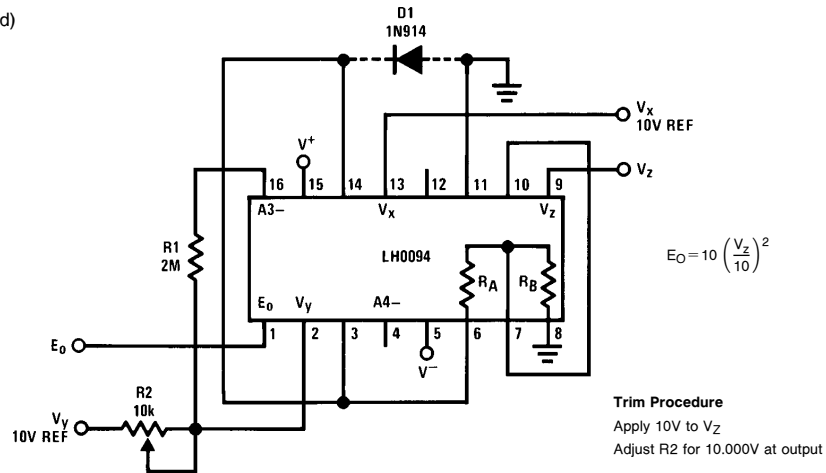


FIGURE 7. Precision Squaring Circuit (0.15% Typ)

5. SQUARE ROOT

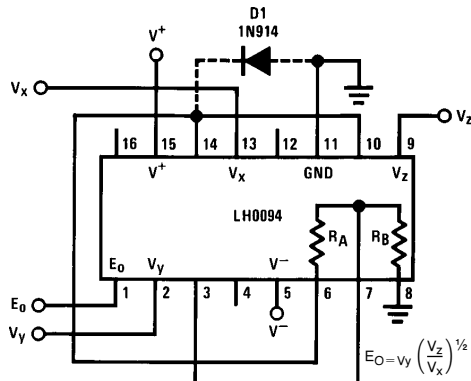


FIGURE 8a. Basic Connection of LH0094 ($m = 0.5$) without External Adjustment Using Internal Resistors to Set m

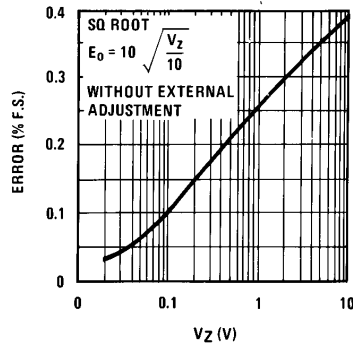


FIGURE 8b. Typical Performance Curve Square Root, No External Adjustment

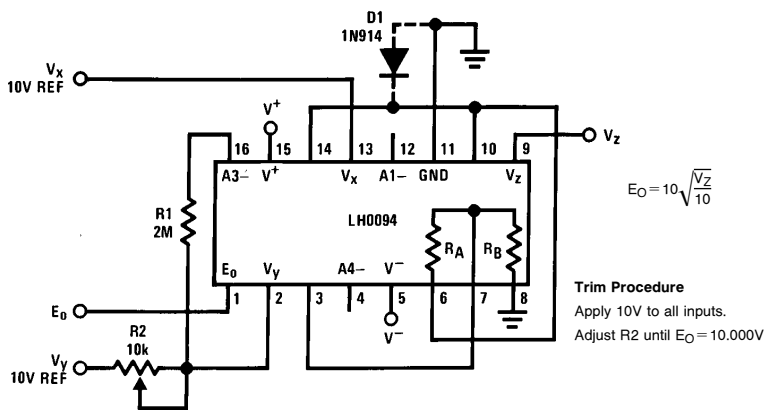


FIGURE 9. Precision Square Rooter (0.15% Typ)

TL/H/5695-7

Applications Information (Continued)

6. LOW LEVEL SQUARE ROOT

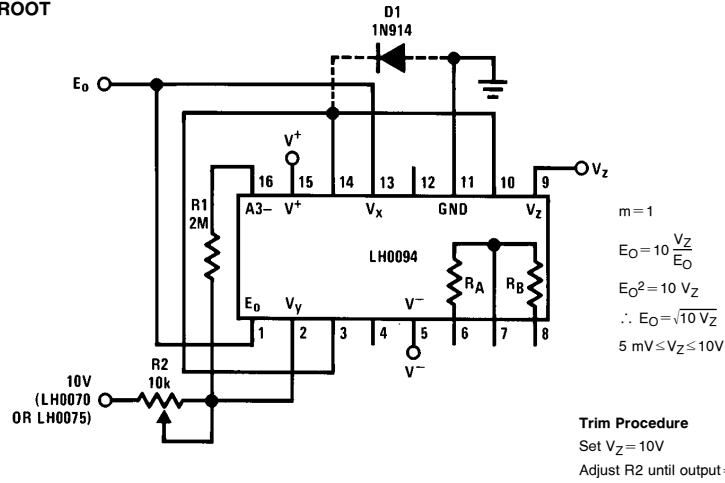


FIGURE 10. 3-Decade Precision Square Root Circuit Using the LH0094 with $m = 1$

Typical Applications

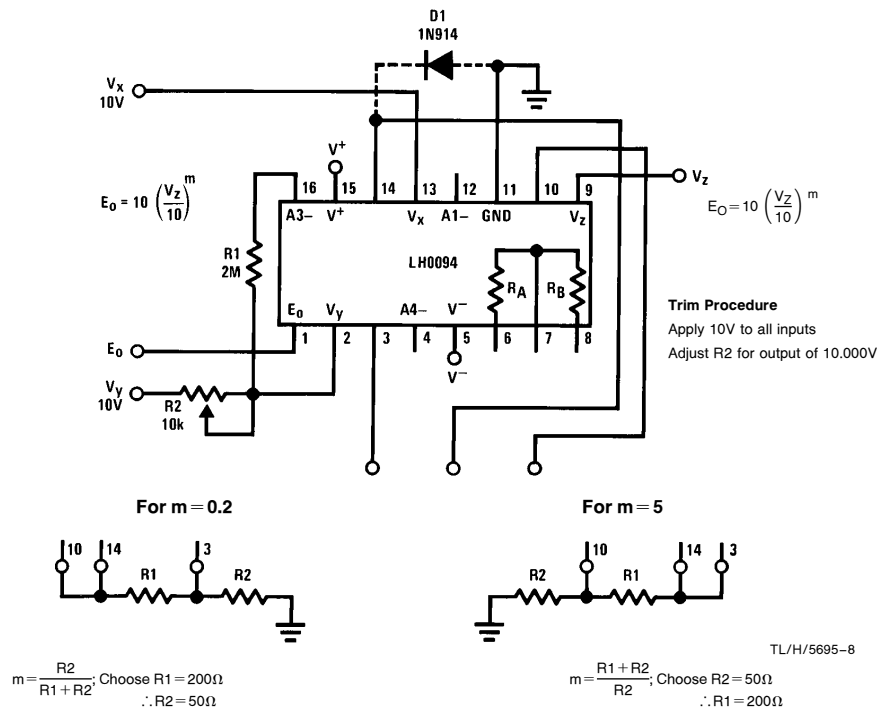
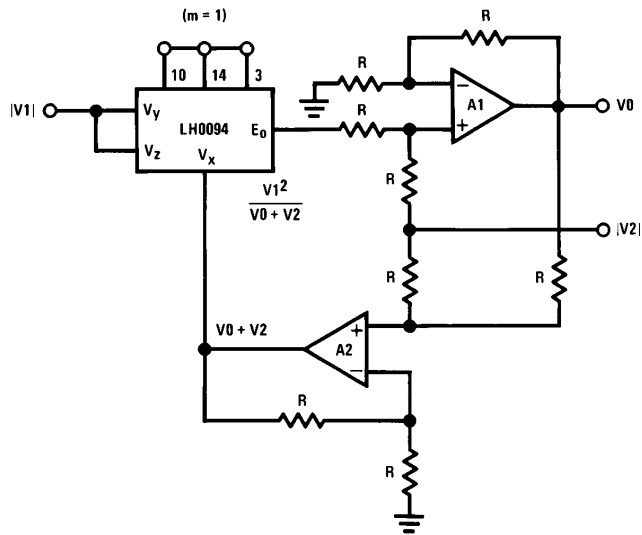


FIGURE 11. Precision Exponentiator ($m = 0.2$ to 5)

Typical Applications (Continued)



Note. The LH0094 may be used to generate a voltage equivalent to:

$$V_0 = \sqrt{V_1^2 + V_2^2}$$

$$V_0 = V_2 + \frac{V_1^2}{V_0 + V_2}$$

$$V_0^2 + V_0 V_2 = V_2 V_0 + V_2^2 + V_1^2$$

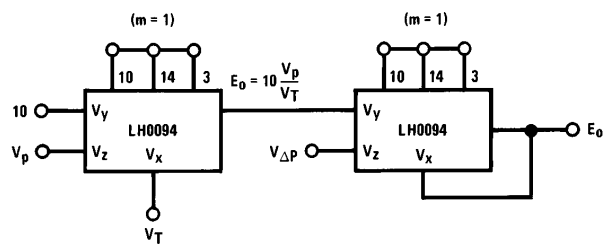
$$V_0^2 = V_1^2 + V_2^2$$

$$\therefore V_0 = \sqrt{V_1^2 + V_2^2} \quad V_1, V_2 \geq 0 \rightarrow 10V$$

$R \approx 10k$

National Semiconductor resistor array RA08—10k is recommended

FIGURE 12. Vector Magnitude Function



Note. The LH0094 may be used in direct measurement of gas flow.

$$\text{Flow} = k \sqrt{\frac{P \Delta P}{T}}$$

$$E_0 = 10 \frac{V_p}{V_t} \times \frac{V_{\Delta P}}{E_0}$$

$$E_0^2 = 10 \frac{V_p V_{\Delta P}}{V_t}$$

$$E_0 = \sqrt{10 \frac{V_p V_{\Delta P}}{V_t}}$$

P = Absolute pressure

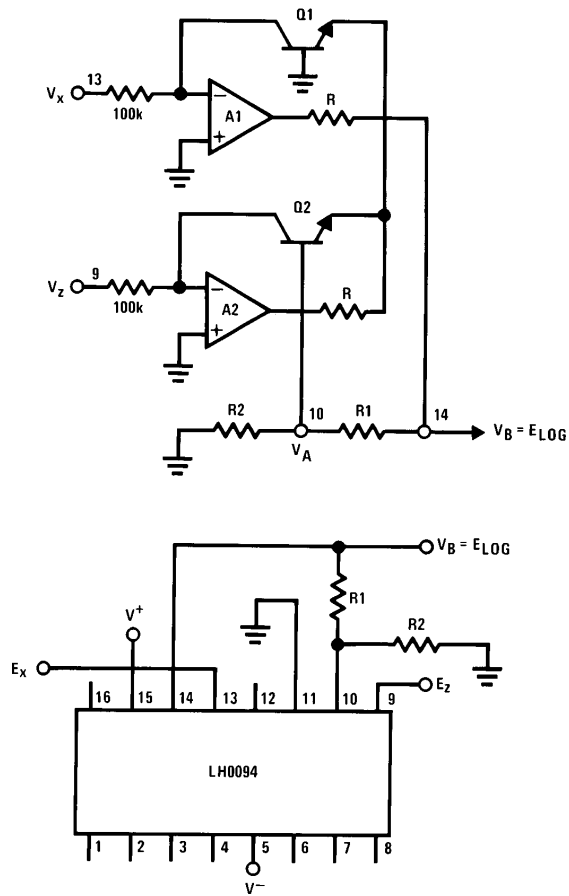
T = Absolute temperature

ΔP = Pressure drop

FIGURE 13. Mass Gas Flow Circuit

TL/H/5695-9

Typical Applications (Continued)



Note. The LH0094 may also be used to generate the Log of a ratio of 2 voltages. The output is taken from pin 14 of the LH0094 for the Log application.

$$E_{\text{LOG}} = K1 \frac{KT}{q} \ln \frac{V_z}{V_x}$$

$$\text{where } K1 = \frac{R1 + R2}{R2}$$

$$\text{If } K1 = \frac{1}{KT/q \ln 10}$$

$$\text{then } E_{\text{LOG}} = \text{Log}_{10} \frac{V_z}{V_x}$$

$$R1 = 15.9 R2$$

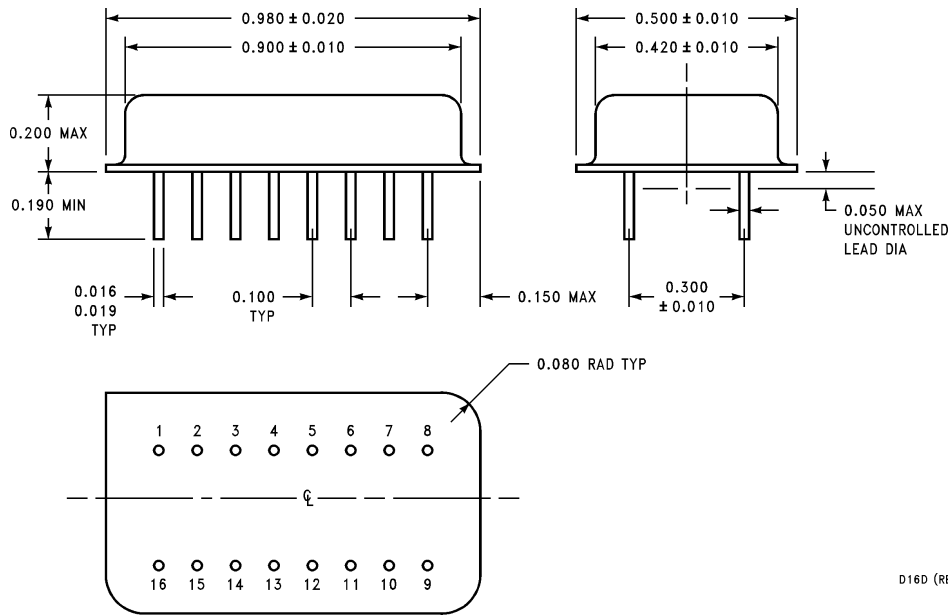
$$R2 \approx 400\Omega$$

R2 must be a thermistor with a tempco of $\approx 0.33\%/^{\circ}\text{C}$ to be compensated over temperature.

FIGURE 14. Log Amp Application

TL/H/5695-10

Physical Dimensions inches (millimeters)



Order Number LH0094CD
NS Package Number D16D

D16D (REV C)

LIFE SUPPORT POLICY

NATIONAL'S PRODUCTS ARE NOT AUTHORIZED FOR USE AS CRITICAL COMPONENTS IN LIFE SUPPORT DEVICES OR SYSTEMS WITHOUT THE EXPRESS WRITTEN APPROVAL OF THE PRESIDENT OF NATIONAL SEMICONDUCTOR CORPORATION. As used herein:

1. Life support devices or systems are devices or systems which, (a) are intended for surgical implant into the body, or (b) support or sustain life, and whose failure to perform, when properly used in accordance with instructions for use provided in the labeling, can be reasonably expected to result in a significant injury to the user.
2. A critical component is any component of a life support device or system whose failure to perform can be reasonably expected to cause the failure of the life support device or system, or to affect its safety or effectiveness.



National Semiconductor Corporation
 1111 West Bardin Road
 Arlington, TX 76017
 Tel: 1(800) 272-9959
 Fax: 1(800) 737-7018

National Semiconductor Europe
 Fax: (+49) 0-180-530 85 86
 Email: cnjwge@tevm2.nsc.com
 Deutsch Tel: (+49) 0-180-530 85 85
 English Tel: (+49) 0-180-532 78 32
 Français Tel: (+49) 0-180-532 93 58
 Italiano Tel: (+49) 0-180-534 16 80

National Semiconductor Hong Kong Ltd.
 19th Floor, Straight Block,
 Ocean Centre, 5 Canton Rd.
 Tsimshatsui, Kowloon
 Hong Kong
 Tel: (852) 2737-1600
 Fax: (852) 2736-9960

National Semiconductor Japan Ltd.
 Tel: 81-043-299-2309
 Fax: 81-043-299-2408

National does not assume any responsibility for use of any circuitry described, no circuit patent licenses are implied and National reserves the right at any time without notice to change said circuitry and specifications.